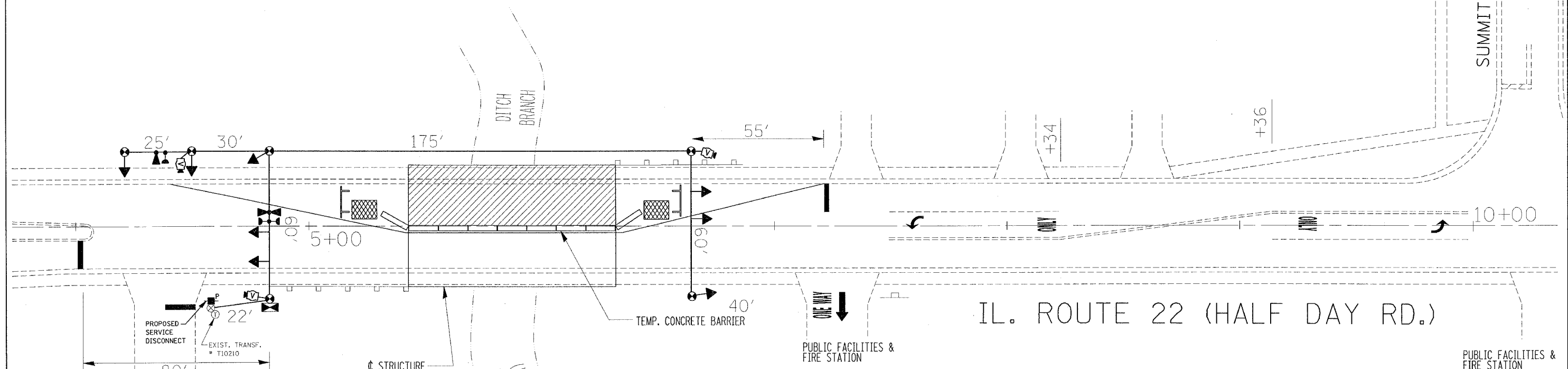


F.A.U. RTE.	SECTION	COUNTY	TOTAL SHEETS	SHEET NO.
1253	Y-B-R-2	LAKE	17	6
STA.	TO STA.			
FED. ROAD DIST. NO.	ILLINOIS	FED. AID PROJECT		

CONTRACT NO. 62768

TEMPORARY TRAFFIC SIGNAL AND REMOVAL LEGEND

TEMPORARY CONTROLLER CABINET			HANDHOLE		
TEMPORARY SERVICE INSTALLATION, (P) POLE OR (G) GROUND MOUNT			HEAVY-DUTY HANDHOLE		
TEMPORARY TRAFFIC SIGNAL HEAD SPAN WIRE MOUNTED ORIGINAL LOCATION			G.S. CONDUIT IN TRENCH OR PUSHED		
TEMPORARY TRAFFIC SIGNAL HEAD SPAN WIRE MOUNTED SECONDARY LOCATION			TEMPORARY SPAN WIRE, TETHER WIRE, AND CABLE		
TEMPORARY PEDESTRIAN SIGNAL HEAD, BRACKET MOUNTED			COMMON TRENCH	CT	
TEMPORARY WOOD POLE (CLASS 5 OR BETTER) 45 FOOT (13.7m) MINIMUM			UNIT DUCT	UD	
EXISTING SIGNAL POST AND FOUNDATION TO BE REMOVED			TEMPORARY PEDESTRIAN PUSHBUTTON DETECTOR		
STEEL MAST ARM ASSEMBLY AND POLE			DETECTOR LOOP, TYPE I		
ALUMINUM MAST ARM ASSEMBLY AND POLE			PREFORMED DETECTOR LOOP		
COMBINATION MAST ARM ASSEMBLY AND POLE, STEEL WITH LUMINAIRE			MICROWAVE VEHICLE SENSOR		
EXISTING STREET LIGHT, FOUNDATION AND LUMINAIRE TO REMAIN			VIDEO DETECTOR		
TRANSFORMER			CLOSED CIRCUIT TV		
			EMERGENCY VEHICLE SYSTEM DETECTOR		
			CONFIRMATION BEACON		
			REMOVAL		
			RELOCATE		



CONSTRUCTION NOTES:

- ① CONTROLLER WITH STEEL BASE CABINET SHALL BE MOUNTED ON A WOOD STAND
- ② STAGING SHOWN ON THE PLAN SHOULD USE AS A GUIDE ONLY. THE EXACT STAGING MUST BE COORDINATED WITH THE BUREAU OF MAINTENANCE
- ③ THE SPEED LIMIT WILL BE 20MPH
- ④ THE SIGNS (W13-1 (24")) FOR SPEED LIMIT SHALL BE INCLUDED IN WITH TRAFFIC CONTROL STANDARD 701321-08.

REV. A 10.31.06

REVISIONS	
NAME	DATE

ILLINOIS DEPARTMENT OF TRANSPORTATION

TEMPORARY BRIDGE TRAFFIC SIGNAL PLAN

ILL. ROUTE 22
OVER E. BRANCH SKOKIE DITCH
SN: 049-0011

SCALE: VERT. / HORIZ.
DATE 10/31/2006

DRAWN BY: SN
DESIGNED BY: SN
CHECKED BY: DAD

PLOT DATE = 10/31/2006
 FILE NAME = c:\projects\123456\design.dgn
 PLOT SCALE = 280000 / IN.
 USER NAME = hndmsh