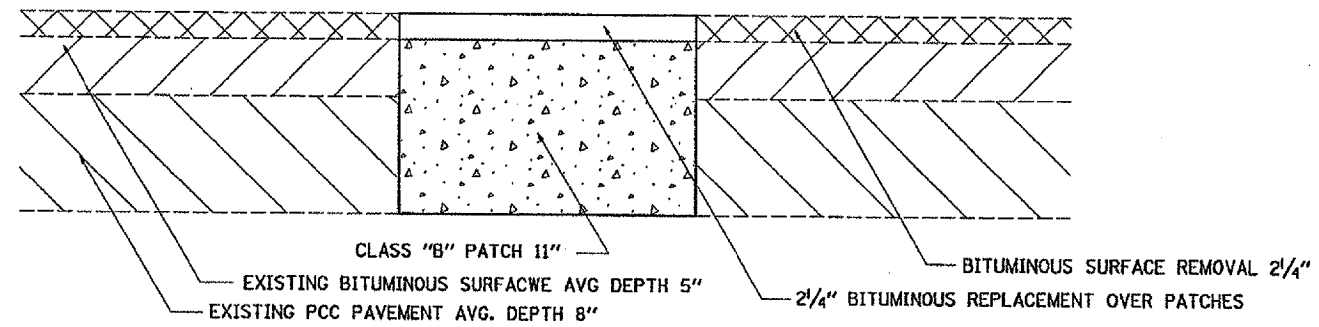


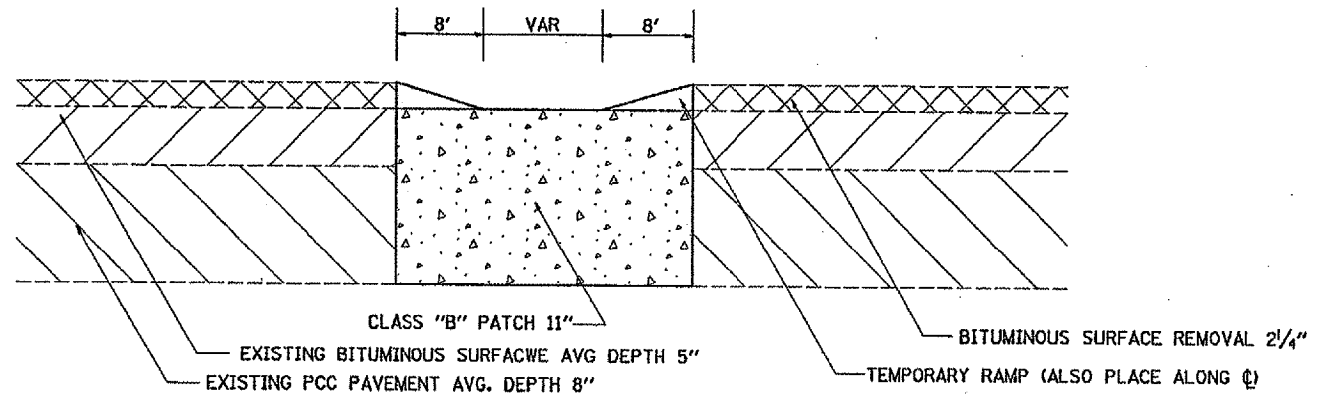
PATCHING DETAIL

CONTRACT NO. 64626				
F.A.P. RTE.	SECTION	COUNTY	TOTAL SHEETS	SHEET NO.
742	37RS-6	OGLE	69	46
STA.		TO STA.		
FED. ROAD DIST. NO.	ILLINOIS	FED. AID PROJECT		

WHEN PATCH LENGTH IS <30'



WHEN PATCH LENGTH IS ≥30'



PLOT DATE * Mod Aug 09 10:24:46 2006
 FILE NAME * d:\p\3\37RS-6\37RS-6-46.dgn
 PLOT SCALE * 48.0000 / IN.
 REFERENCE * NONE

REVISIONS		ILLINOIS DEPARTMENT OF TRANSPORTATION
NAME	DATE	
		SCALE: VERT. HORIZ. DATE
DRAWN BY		CHECKED BY