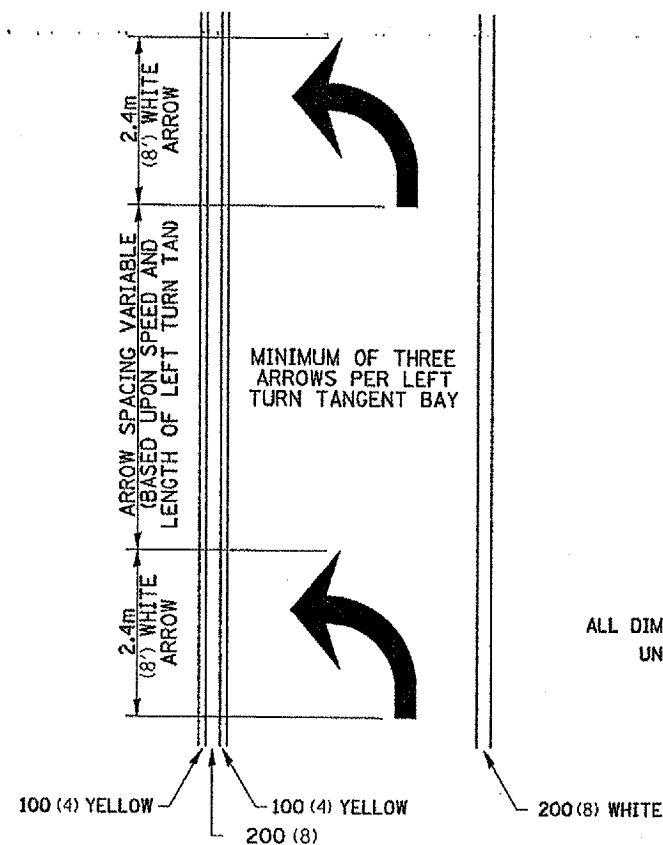


F.A.P. RTE.	SECTION	COUNTY	TOTAL SHEETS	SHEET NO.
742	3TRS-6	OGLE	69	53
STA.	TO STA.			
FED. ROAD DIST. NO.	ILLINOIS FED. AID PROJECT			

# TYPICAL PAVEMENT MARKINGS

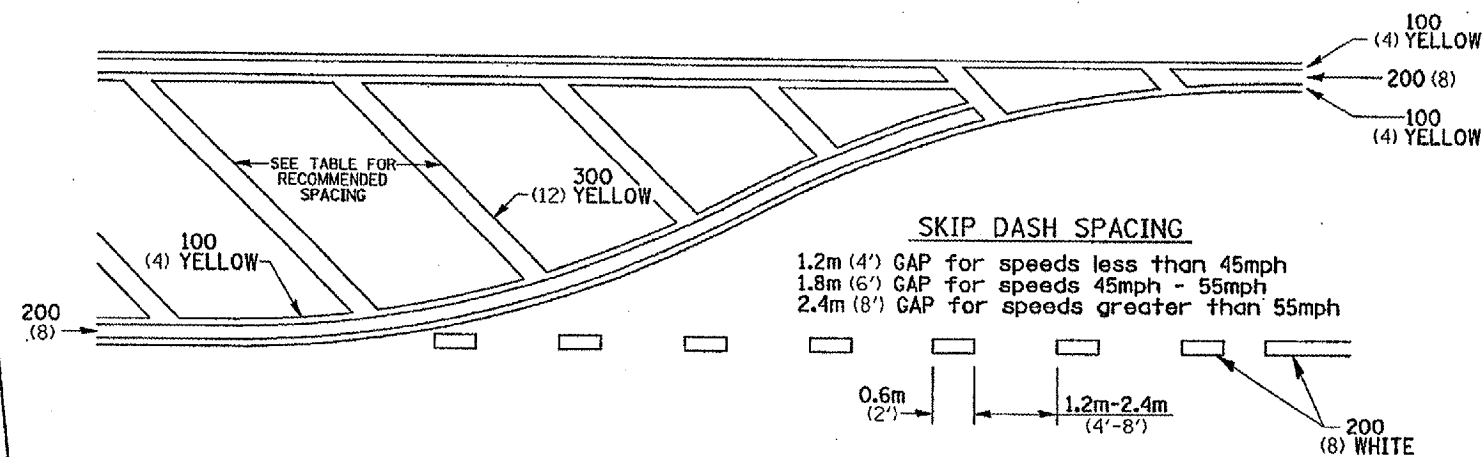
## ARROW LAYOUT



- ▲ ONE-WAY AMBER MARKER
- △ ONE-WAY CRYSTAL MARKER
- ◆ TWO-WAY AMBER MARKER

ALL DIMENSIONS ARE IN MILLIMETERS (INCHES) UNLESS OTHERWISE NOTED.

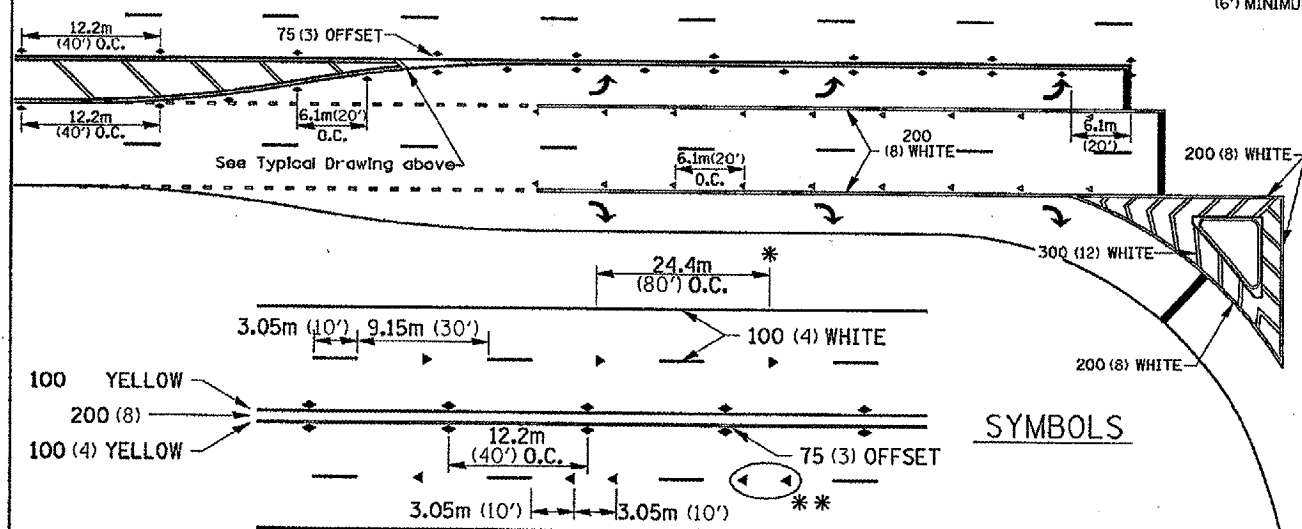
## TYPICAL PAVEMENT MARKING FOR FLUSH MEDIAN



## RECOMMENDED SPACING BETWEEN DIAGONALS (IN FEET)

Speed Limit Range	Continuous Median Area	Intersection Channelization	Objects (Islands)
less than 50km/H (30MPH)	15.3m (50')	4.53m (15')	3.05m (10')
50-60km/H (30-40MPH)	22.9m (75')	6.1m (20')	4.53m (15')
70km/H (45MPH) & over	22.9m (75')	9.05m (30')	6.1m (20')

NOTE: If the spacing recommended in the Table does not permit at least five diagonal lines in the area being marked, the spacing from the next lowest speed range should be used. The recommended spacing is measured parallel to the pavement center line.



- \* REDUCE TO 12.2m (40') O.C. ON CURVES WHERE ADVISORY SPEEDS ARE 15km/H (10MPH) LOWER THAN POSTED SPEEDS.
- \*\* USE DOUBLE MARKERS WHEN ADT ≥ 25,000

## MULTI-LANE / UNDIVIDED

## SYMBOLS

See Typical Drawing above

12.2m (40') O.C. APPROACH SIDE ONLY

## TYPICAL PAVEMENT MARKING FOR TWO LANE SECTION - NO PASSING ZONES

