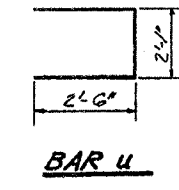
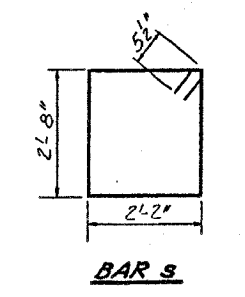
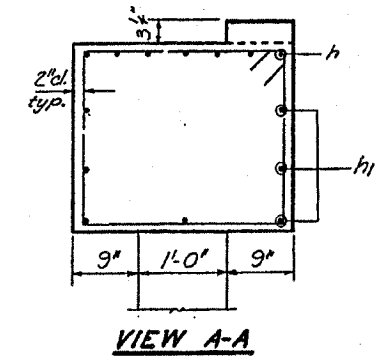
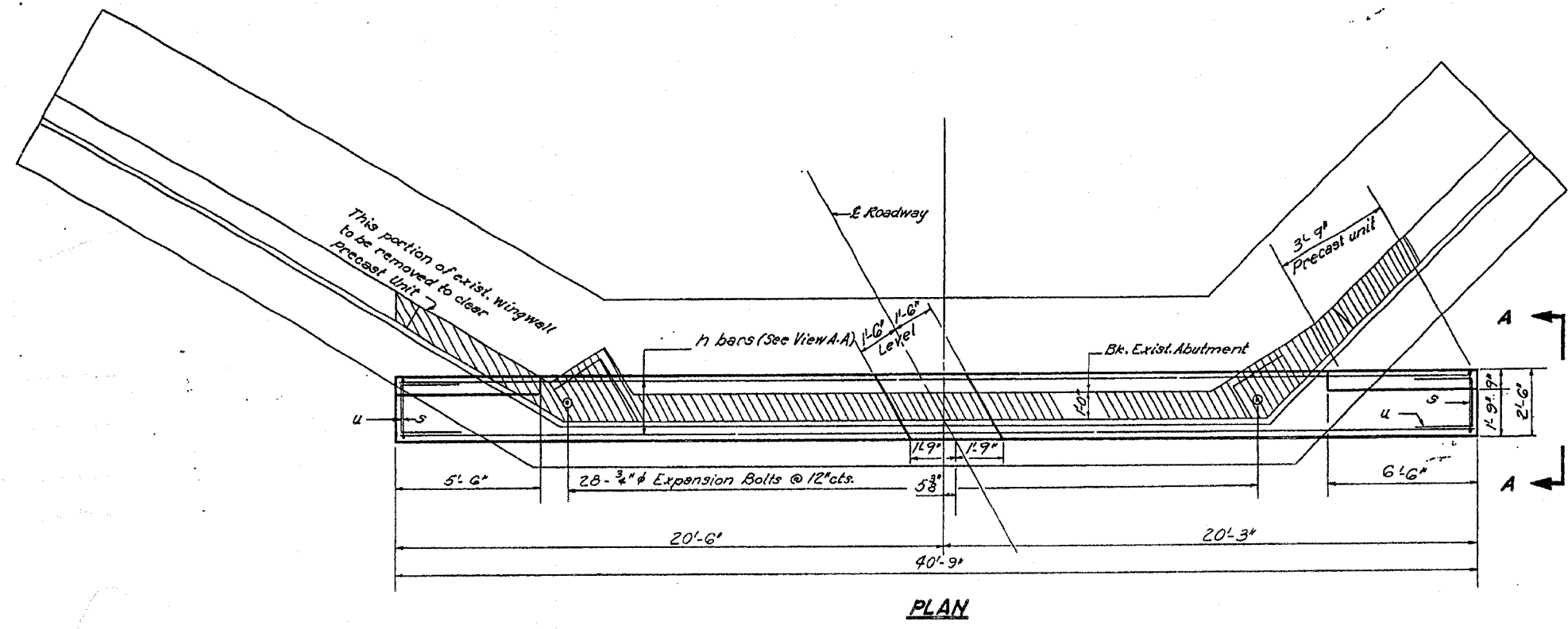
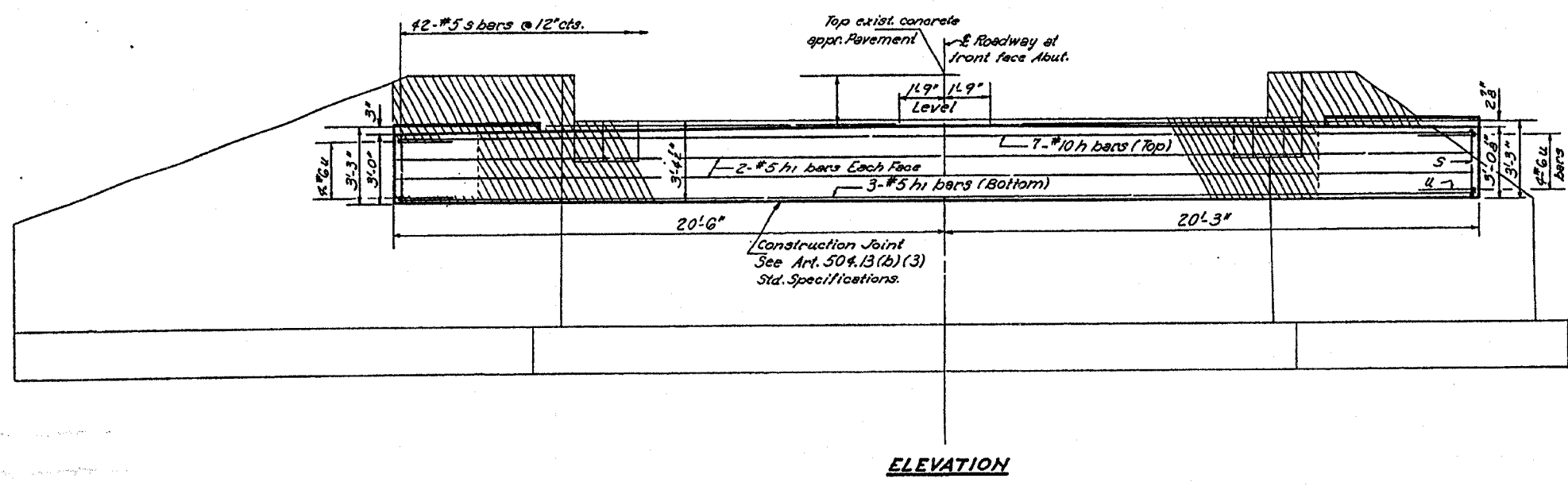


STATE OF ILLINOIS
DEPARTMENT OF PUBLIC WORKS & BUILDINGS
DIVISION OF HIGHWAYS



**TWO ABUTMENTS
BILL OF MATERIAL**

Bar No.	Size	Length	Shape
h	#10	90'-6"	—
h1	#5	40'-6"	—
s	#5	10'-7"	□
u	#6	7'-1"	□
Class X Concrete		Cu. Yds.	23.8
Concrete Removal		Cu. Yds.	14
Reinforcement Bars		Lbs.	4,130
Expansion Bolts 3/4"		Each	56

DESIGNED *Simon Heston*
CHECKED *James Pence*
EXAMINED *[Signature]*
PASSED *[Signature]*
FEB. 26 1970

Notes:
Hatched area indicates Concrete Removal. Reinforcement extending into removed area shall be cleaned and bonded into new construction.
Expansion Bolts shall be anchored in sound concrete.
All edges shall have standard 1/4" chamfers except as noted.

**ABUTMENTS
S.B.I.R.T. 3 SEC. II BR
WHITESIDE COUNTY**

281 Rfs 3 2nd 118B Whiteside Co. Dist. 5