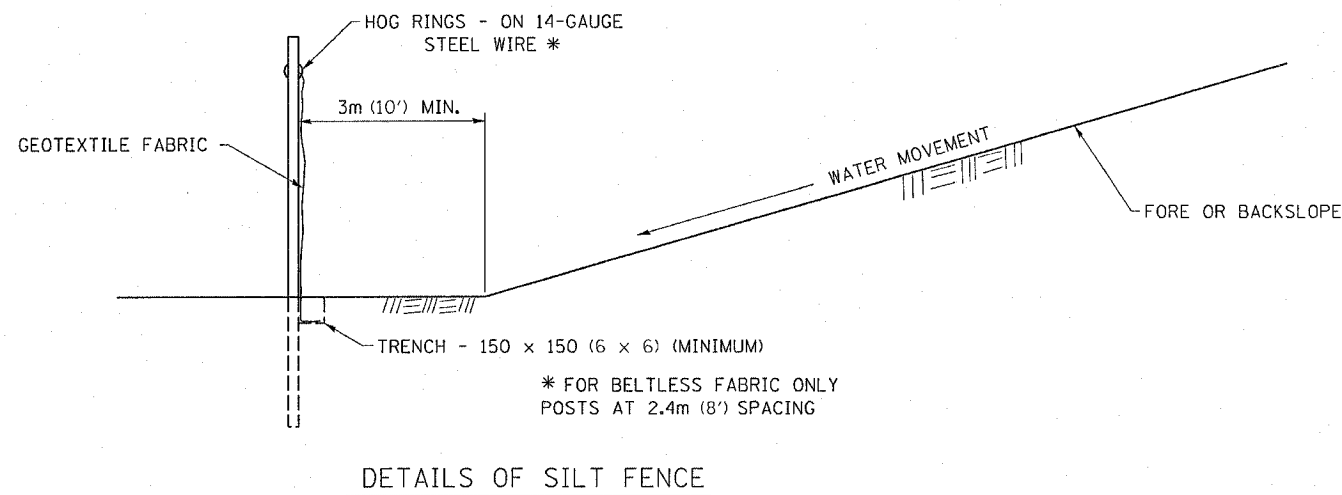
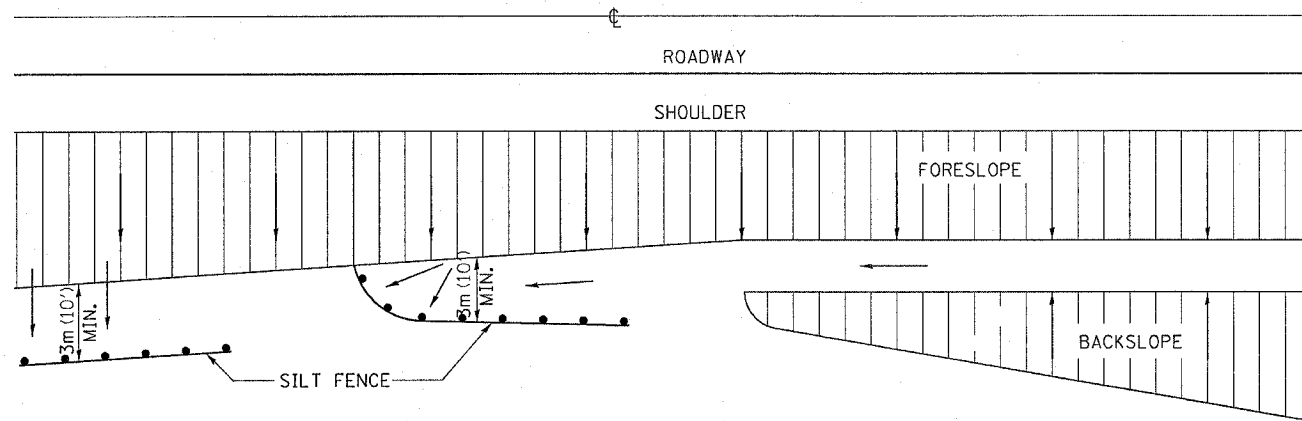


F.A.S. RTE.	SECTION	COUNTY	TOTAL SHEETS	SHEET NO.
203	11BR-1	WHITESIDE	43	34
STA.	TO STA.			
FED. ROAD DIST. NO.	ILLINOIS	FED. AID PROJECT		

EROSION CONTROL DETAILS FOR SILT FENCE



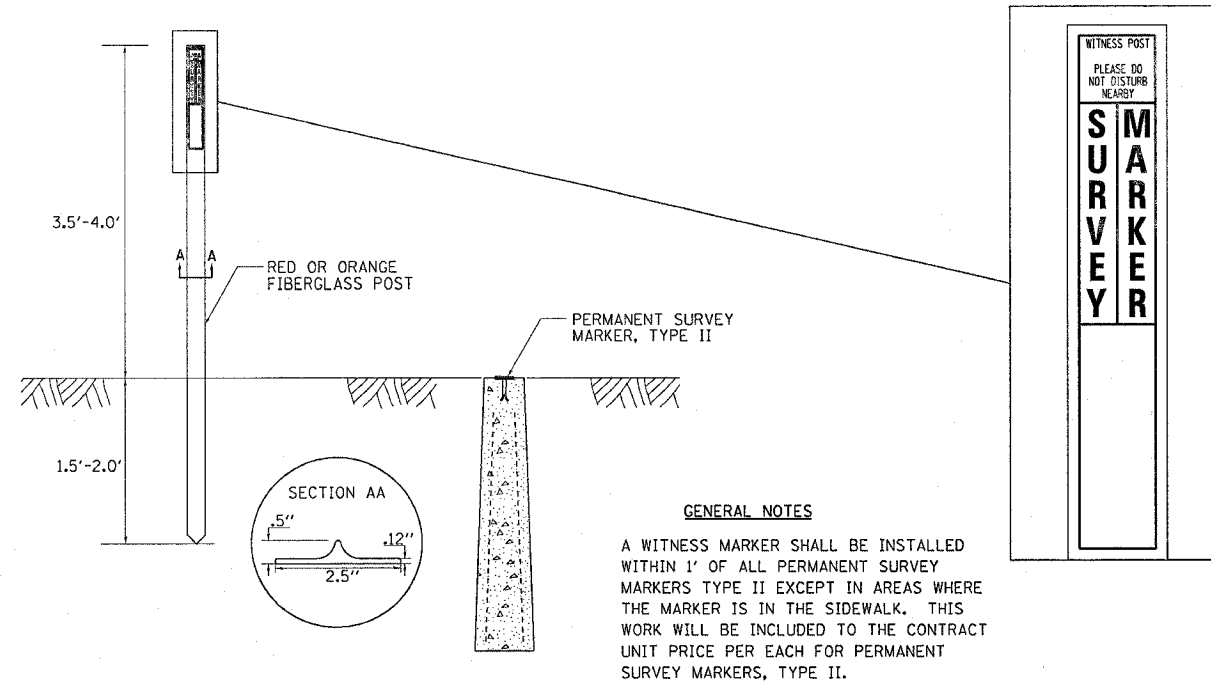
DETAILS OF SILT FENCE

ALL DIMENSIONS ARE IN MILLIMETERS (INCHES) UNLESS OTHERWISE NOTED.

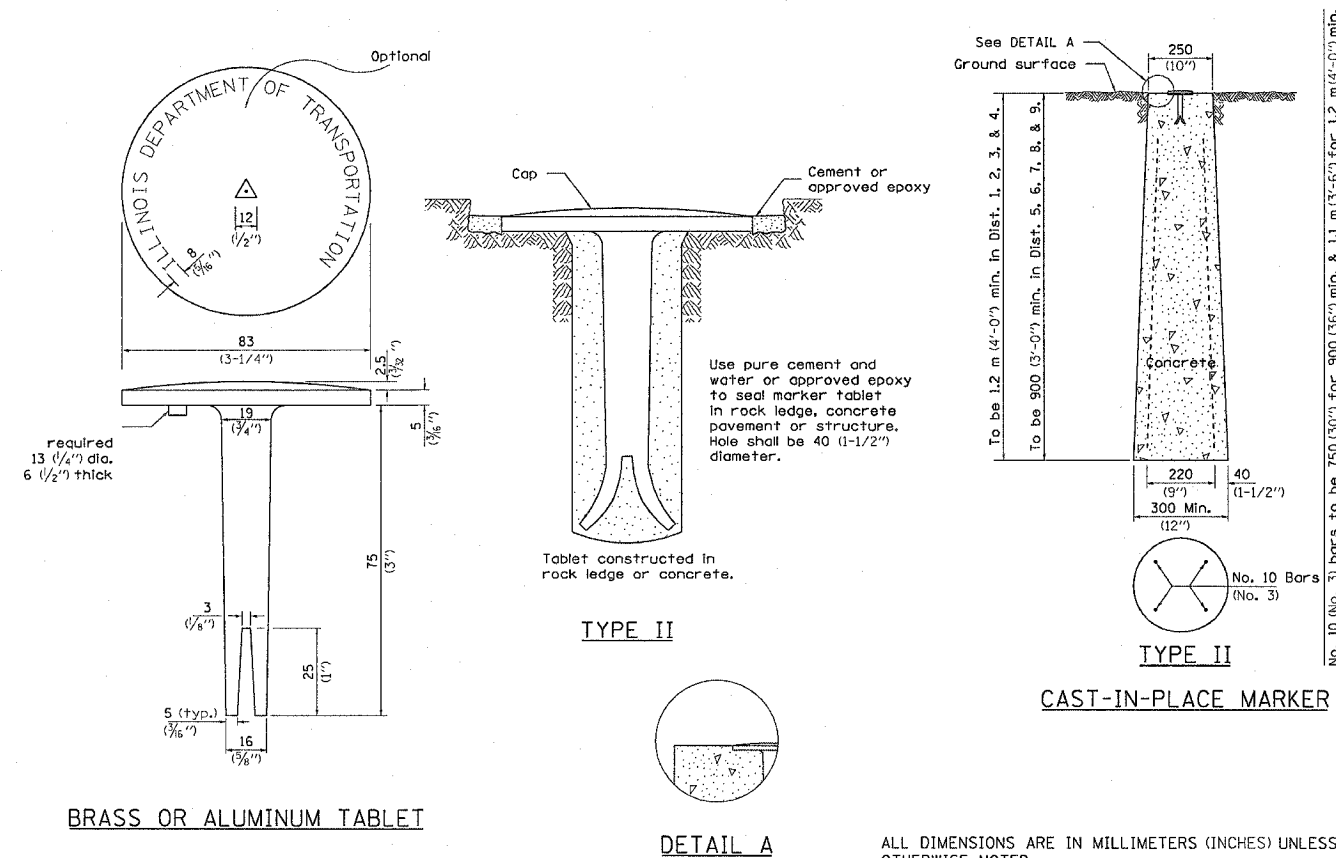
EROSION CONTROL DETAILS FOR SILT FENCE 29.2

REVISED 10-22-01

WITNESS MARKER FOR PERMANENT SURVEY MARKERS, TYPE II



PERMANENT SURVEY MARKERS, TYPE II



BRASS OR ALUMINUM TABLET

ALL DIMENSIONS ARE IN MILLIMETERS (INCHES) UNLESS OTHERWISE NOTED.

WITNESS MARKER & PERMANENT SURVEY MARKERS, TYPE II 66.2

REVISED 6-26-06