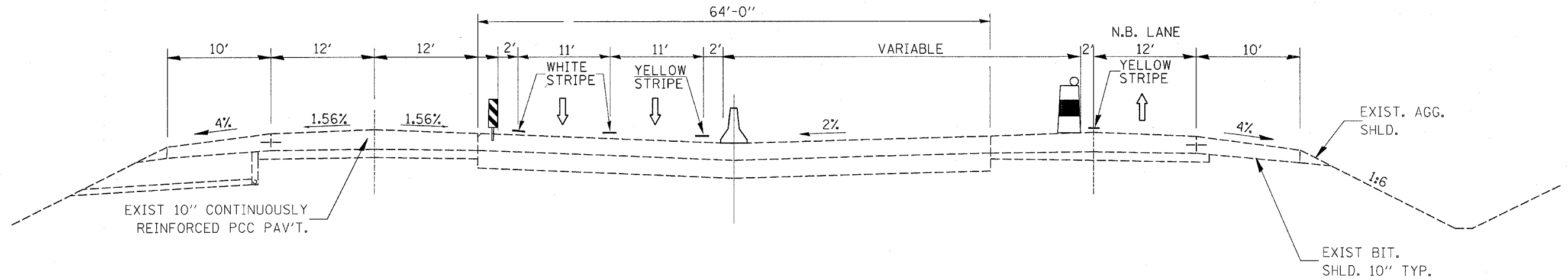
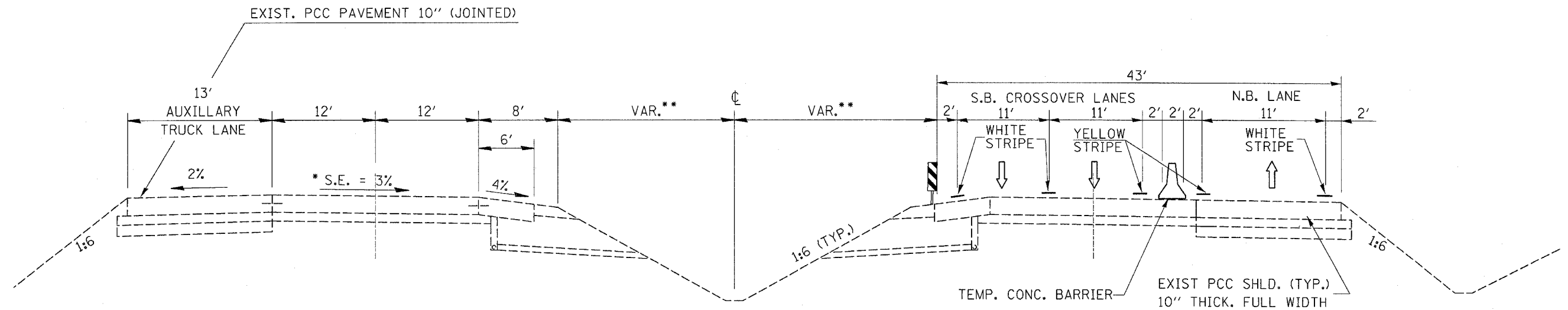


F.A.I. RTE.	SECTION	COUNTY	TOTAL SHEETS	SHEET NO.
39	(50-4B)BR	LASALLE	365	5
STA.	TO STA.			
FED. ROAD DIST. NO.	ILLINOIS	FED. AID PROJECT		



### TYPICAL SECTION

STAGE I  
SOUTHBOUND CROSSOVER STA 784+00



### TYPICAL SECTION

SOUTH CROSSOVER / STAGE I  
STA. ±792+50 TO STA. ±804+50

REVISIONS	
NAME	DATE

ILLINOIS DEPARTMENT OF TRANSPORTATION

### STAGE I TYPICAL SECTIONS SOUTH CROSSOVER

SCALE: VERT. 1"=10'  
HORIZ. 1"=40'

DRAWN BY  
CHECKED BY

PLOT DATE = 9/1/2006  
PLOT SCALE = 1"=40'  
USER NAME = JUSERR