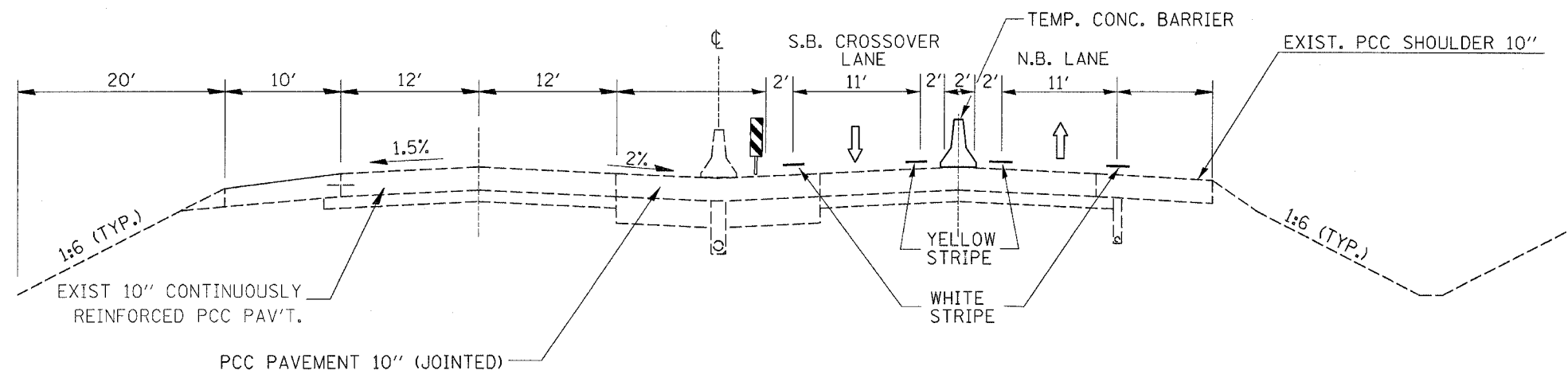
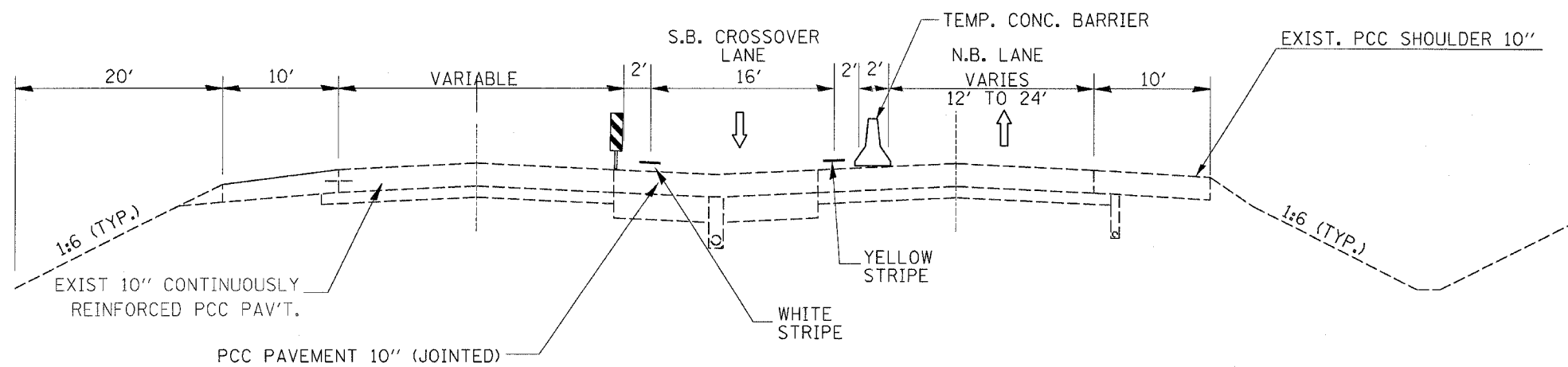


F.A.I. RTE.	SECTION	COUNTY	TOTAL SHEETS	SHEET NO.
39	(50-4B)BR	LASALLE	365	6
STA.		TO STA.		
FED. ROAD DIST. NO.	ILLINOIS	FED. AID PROJECT		



### TYPICAL SECTION

NORTH CROSSOVER / STAGE I  
STA. ±879+50 TO STA. ±886+50



### TYPICAL SECTION

NORTH CROSSOVER / STAGE I  
STA. ±888+50

PLOT DATE = 01/20/06  
FILE NAME = #FILE#  
PLOT SCALE = #SCALE#  
USER NAME = #USER#

REVISIONS	
NAME	DATE

ILLINOIS DEPARTMENT OF TRANSPORTATION

### STAGE I TYPICAL SECTIONS NORTH CROSSOVER

SCALE: VERT.  
HORIZ.  
DATE

DRAWN BY  
CHECKED BY