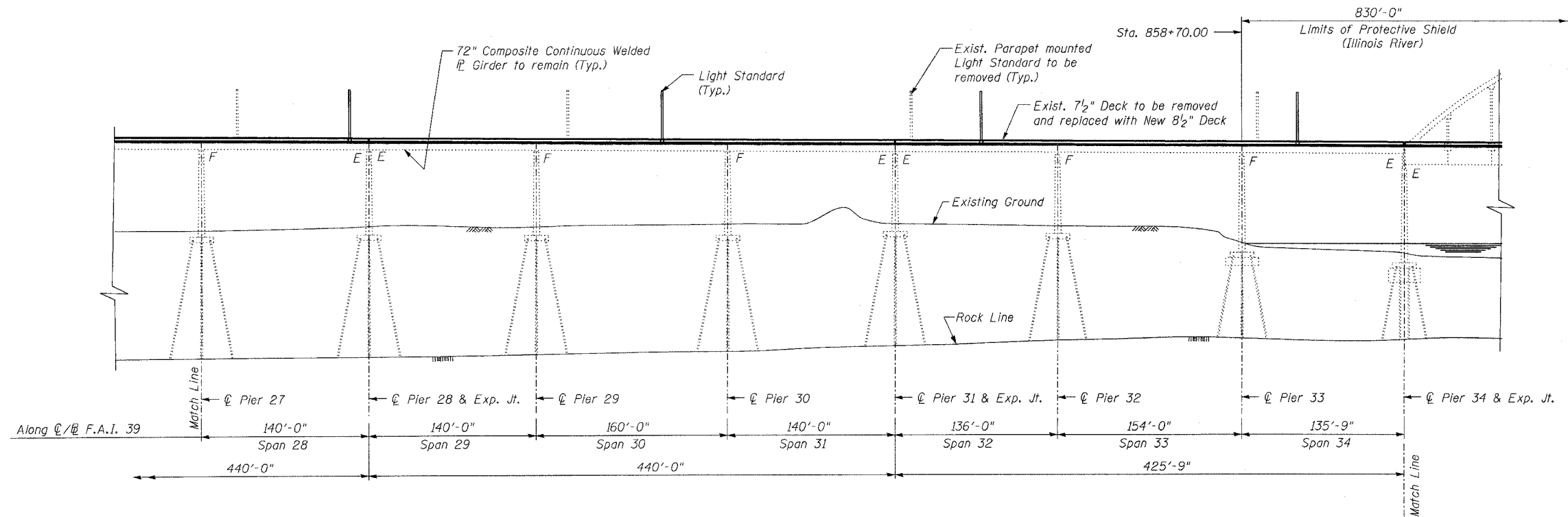


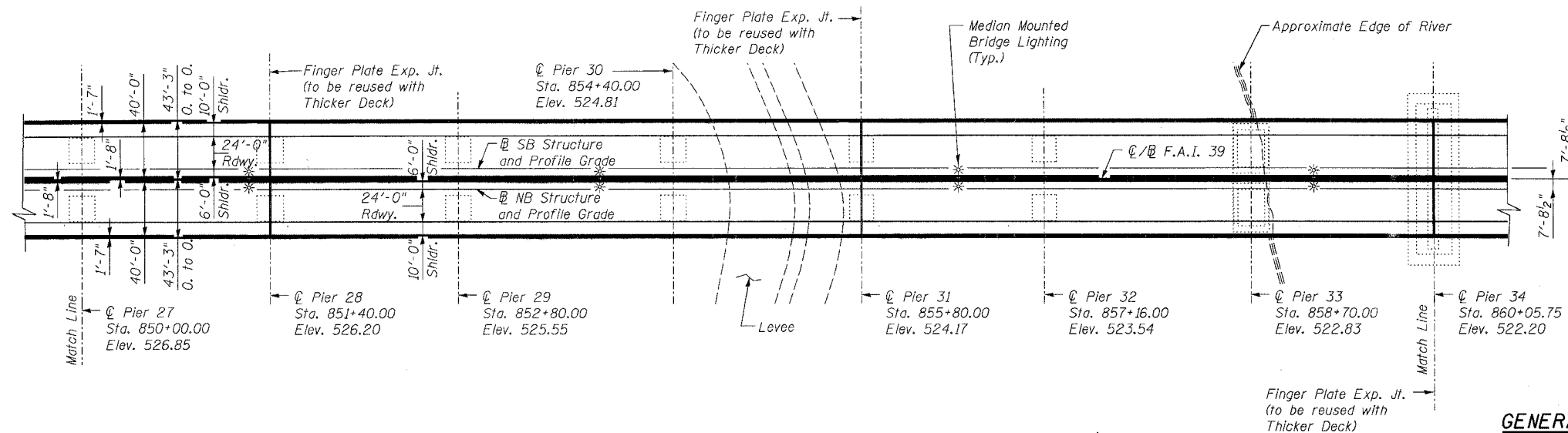
STATE OF ILLINOIS  
DEPARTMENT OF TRANSPORTATION

ROUTE NO.	SECTION	COUNTY	SHEET	SHEET NO.
F.A.I. 39	50-4B	LASALLE	28	6
FED. ROAD DIST. NO. 7		ILLINOIS	FED. AID PROJECT	

Contract # 66586



PART ELEVATION



PART PLAN

NOTES:  
1. For Notes, see sheet 3.

DESIGNED -	MRB
CHECKED -	HMA
DRAWN -	VH
CHECKED -	MRB

**benesch**

alfred benesch & company  
Engineers - Surveyors - Planners  
205 North Michigan Avenue, Suite 2400  
Chicago, Illinois 60601  
312-565-0450  
Job # 3856

GENERAL PLAN AND ELEVATION - 4 OF 6  
ABRAHAM LINCOLN MEMORIAL BRIDGE OVER  
THE ILLINOIS RIVER (PUBLIC WATERS)  
F.A.I. ROUTE 39 SEC. (50-4B) BR  
LASALLE COUNTY  
STATION 863+16.00  
STRUCTURE NO. 050-0191 (SB & NB)

x:\3800s\3856\structures\abe lincoln memorial\final\plans\AL\_gpe04.sht

3:01:34 PM

10/16/2006