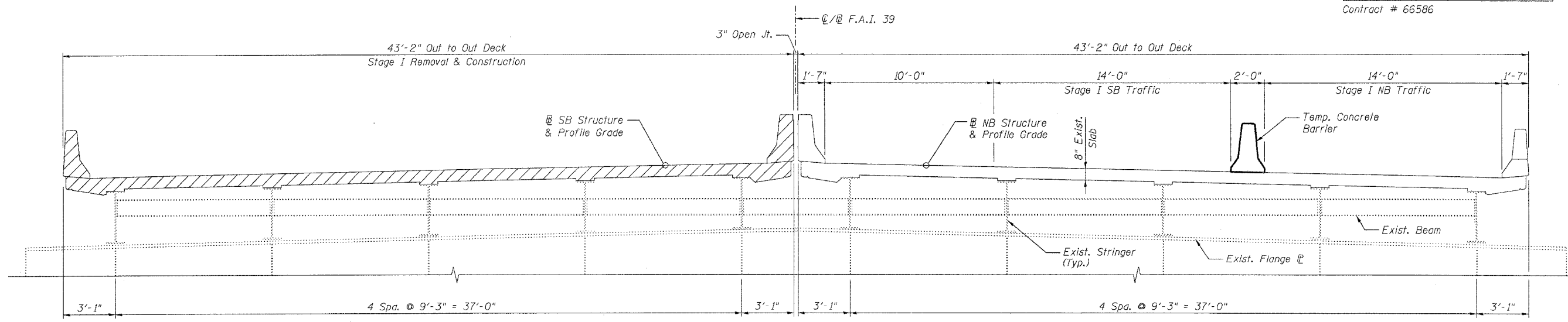


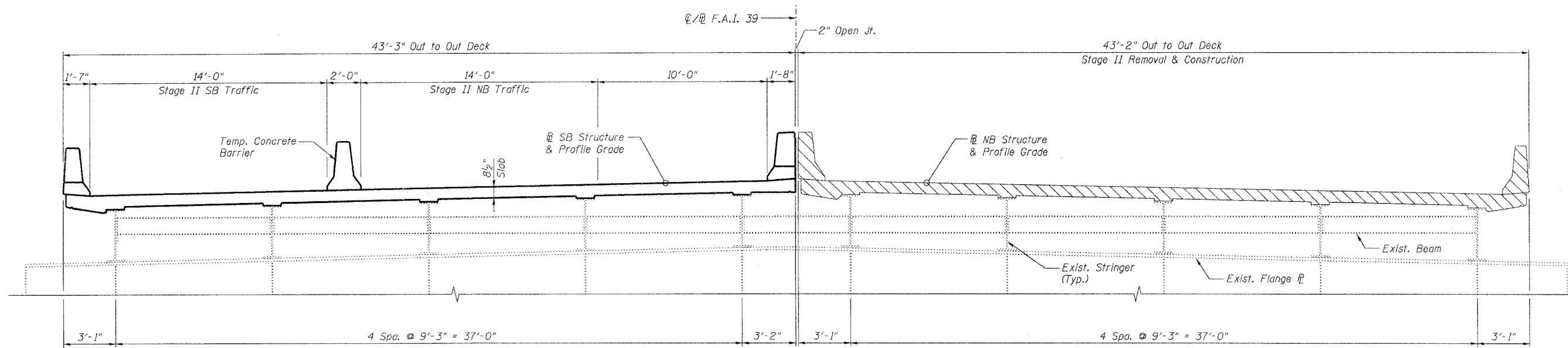
STATE OF ILLINOIS
DEPARTMENT OF TRANSPORTATION

ROUTE NO. F.A.I. 39	SECTION 50-4B	COUNTY LASALLE	SHEETS 36	SHEET NO. 14 313 SHEETS
FED. ROAD DIST. NO. 7		ILLINOIS	FED. AID PROJECT-	

Contract # 66586



SOUTHBOUND STRUCTURE **STAGE I CROSS SECTION - TIED ARCH SPAN** **NORTHBOUND STRUCTURE**
(Looking upstation)



SOUTHBOUND STRUCTURE **STAGE II CROSS SECTION - TIED ARCH SPAN** **NORTHBOUND STRUCTURE**
(Looking upstation)

- NOTES:**
1. For each stage of construction of the Tied Arch Span the existing deck shall be completely removed prior to pouring any portion of the new deck.
 2. The pouring sequence shall follow the sequence shown on sheet 21.
 3. For Temporary Concrete Barrier Details see sheet 15.

LEGEND
 Indicates Concrete Removal

DESIGNED -	MRB
CHECKED -	HMA
DRAWN -	RMG
CHECKED -	MRB

benesch
 alfred benesch & company
 Engineers • Surveyors • Planners
 205 North Michigan Avenue, Suite 2400
 Chicago, Illinois 60601
 312-565-0450
 Job # 3856

STAGE CONSTRUCTION - 3 OF 3
ABRAHAM LINCOLN MEMORIAL BRIDGE OVER
THE ILLINOIS RIVER (PUBLIC WATERS)
F.A.I. ROUTE 39 SEC. (50-4B) BR
LASALLE COUNTY
STATION 863+16.00
STRUCTURE NO. 050-0191 (SB & NB)

x:\38600s\3856\structures\abe\lincoln\memorial\final\plans\stage3.sht
 10/16/2006 3:01:39 PM