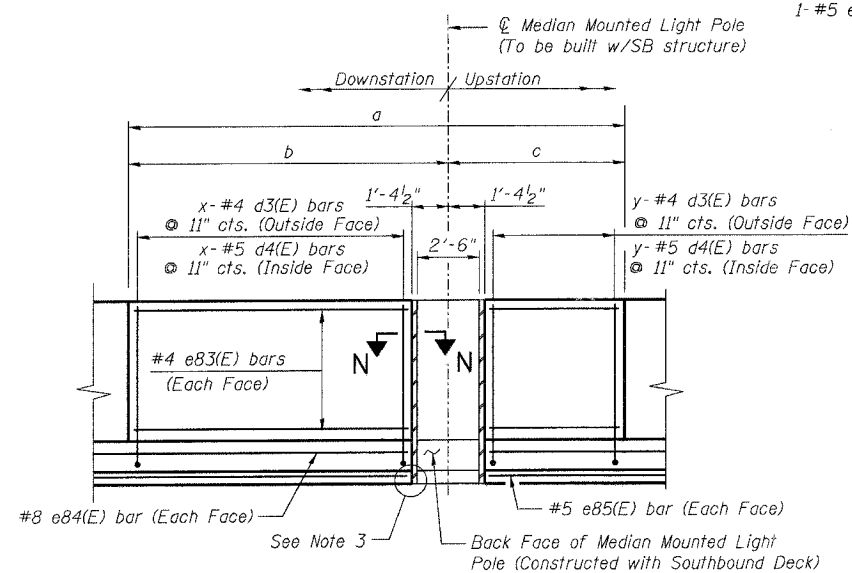
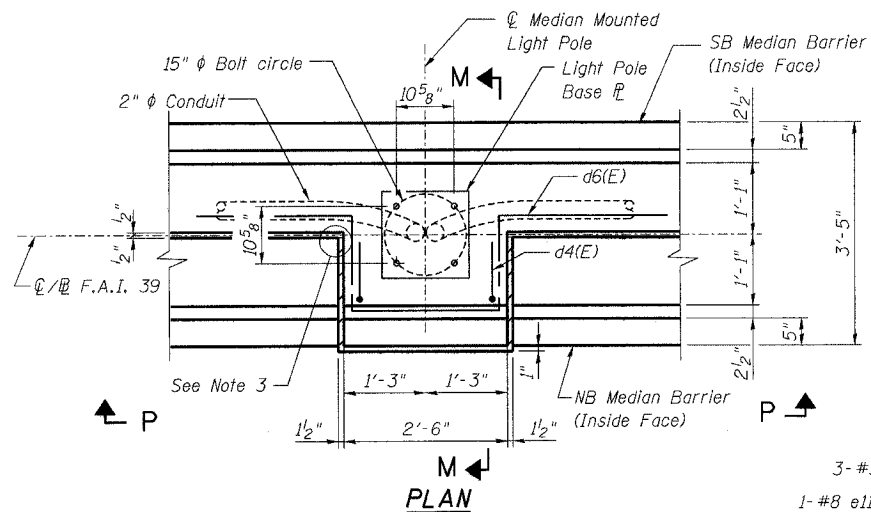
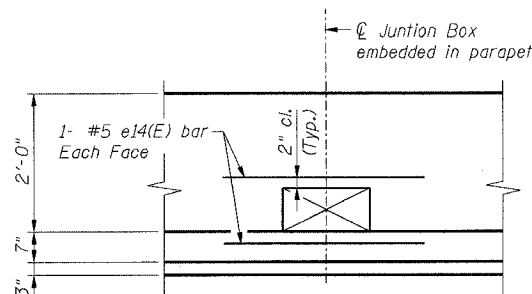


STATE OF ILLINOIS  
DEPARTMENT OF TRANSPORTATION

ROUTE NO. F.A.I. 39	SECTION 50-4B	COUNTY LASALLE	SHEET 192	SHEET NO. 169 313 SHEETS
FED. ROAD DIST. NO. 7		ILL. AID PROJECT	Contract # 66586	

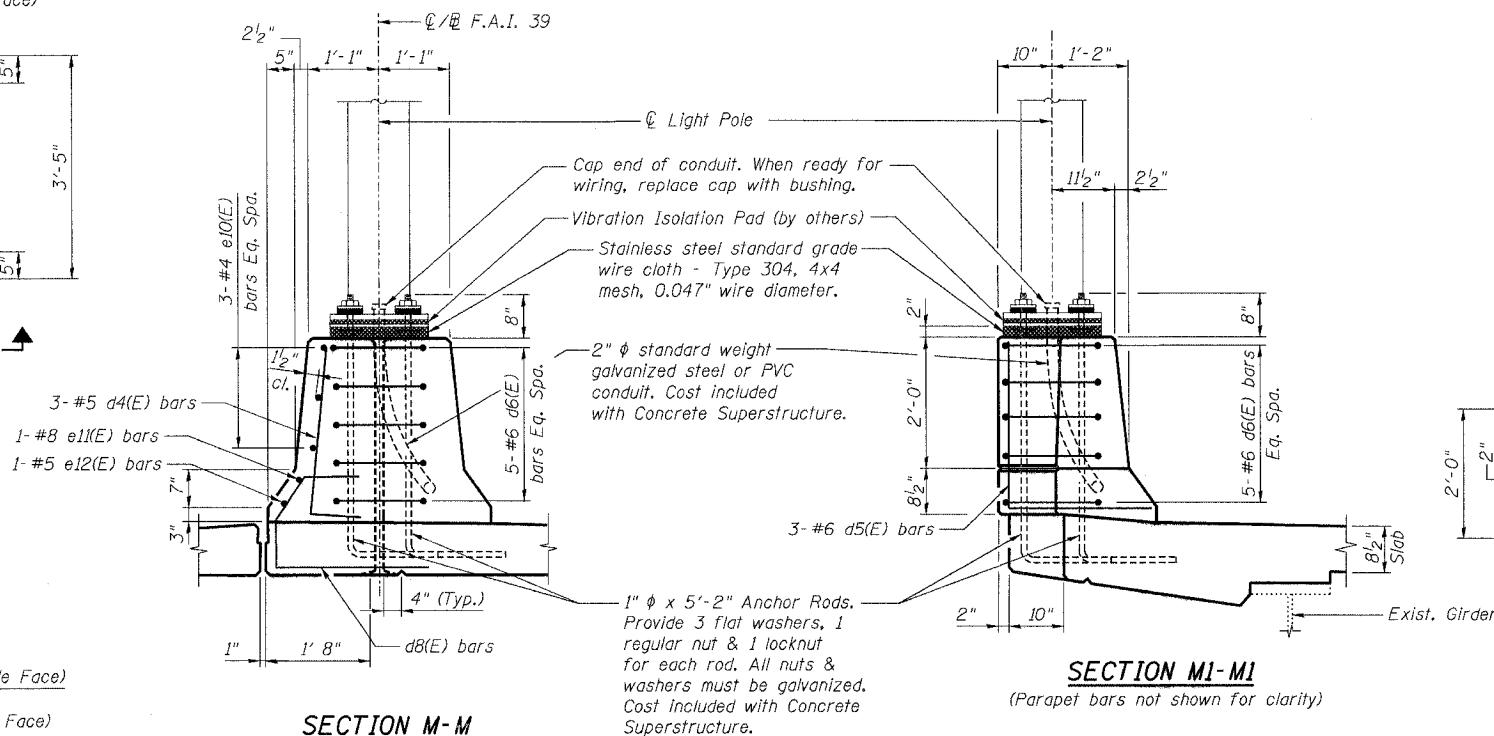


(Longitudinal Reinforcement shown is for Light Standard at Sta. 822+04.83)  
(Cut NB longitudinal reinforcement as necessary at blockouts)



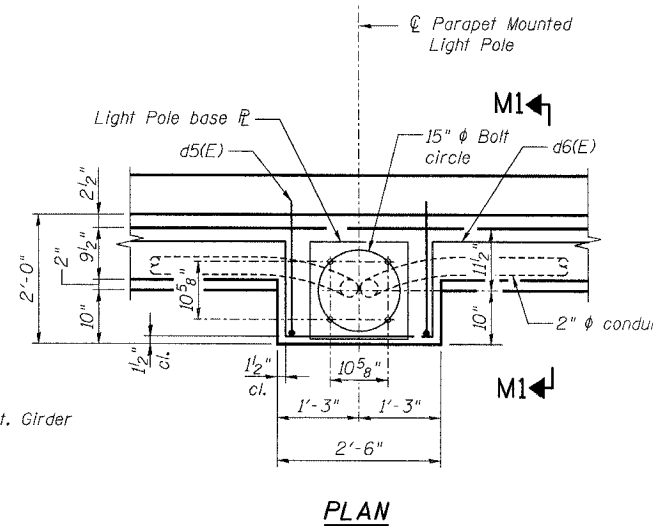
Notes:  
See Electrical Plans for details of the embedded conduit and junction boxes. Space horizontal "e" bars to miss Junction Box.

DESIGNED -	AJK
CHECKED -	KWS
DRAWN -	AR
CHECKED -	MRB



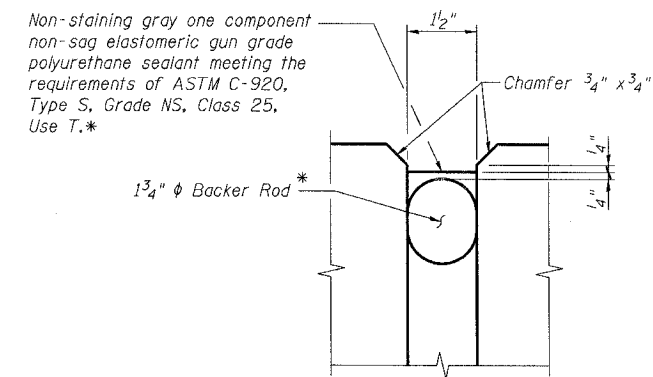
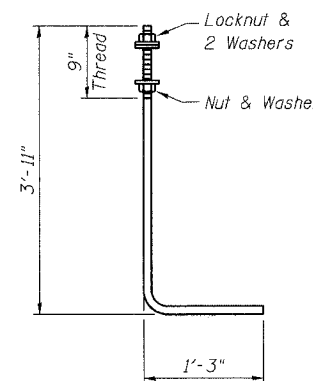
SECTION M-M  
(Parapet bars not shown for clarity)  
MEDIAN MOUNTED LIGHT POLE

SECTION M1-M1  
(Parapet bars not shown for clarity)  
PARAPET MOUNTED LIGHT POLE  
(Spans 1 thru 8 and 35 only)



MEDIAN MOUNTED LIGHT POLE DATA

Location	a	b	c	x	y
822+04.83	19'-2"	4'-0"	15'-2"	4	16
824+67.08	19'-5 1/2"	15'-5 1/2"	4'-0"	16	4
827+33.00	19'-2"	8'-0"	11'-2"	8	11
830+01.29	19'-4 3/4"	8'-0"	11'-4 3/4"	8	12
832+69.50	15'-0"	4'-6"	10'-6"	4	11
835+32.08	19'-5 1/2"	13'-5 1/2"	6'-0"	14	6
837+96.00	19'-2"	4'-0"	15'-2"	4	16
840+64.29	19'-4 5/8"	4'-0"	15'-4 5/8"	4	16
843+25.67	19'-2"	15'-2"	4'-0"	16	4
845+91.00	19'-5 1/2"	8'-0"	11'-5 1/2"	8	12
848+56.00	22'-0"	16'-0"	6'-0"	17	6
851+24.10	19'-7 1/2"	4'-0"	15'-7 1/2"	4	16
853+85.33	19'-4"	6'-0"	13'-4"	6	14
856+52.09	18'-11 3/8"	14'-11 3/8"	4'-0"	16	4
859+16.65	18'-7 7/8"	6'-0"	12'-7 7/8"	6	13
867+16.42	18'-7"	14'-7"	4'-0"	15	4
869+83.57	18'-9 1/2"	4'-0"	14'-9 1/2"	4	15
872+46.33	19'-2"	15'-2"	4'-0"	16	4
875+11.75	19'-8 1/4"	7'-10 1/2"	11'-9 3/4"	8	12
877+75.35	18'-3 1/4"	8'-3 1/4"	10'-0"	8	10



\*Cost included with Concrete Superstructure

NOTES:

1. Reinforcement bars designated (E) shall be epoxy coated.
2. For Lighting details see lighting plans.
3. Where backer rod and sealant meet the Preformed Joint Seal, apply sealant such that a water tight bond is formed.
4. Work this sheet with sheets 166 thru 168.

**benesch**

alfred benesch & company  
Engineers - Surveyors - Planners  
235 North Michigan Avenue, Suite 2400  
Chicago, Illinois 60601  
312-666-0450  
Job # 3856

DECK DETAILS - 5 OF 5  
ABRAHAM LINCOLN MEMORIAL BRIDGE OVER  
THE ILLINOIS RIVER (PUBLIC WATERS)  
F.A.I. ROUTE 39 SEC. (50-4B) BR  
LASALLE COUNTY  
STATION 863+16.00  
STRUCTURE NO. 050-0191 (SB & NB)

xl:\3800s\3856\structures\abe.lincoln.memor\final\plans\AL\_ckppd10.sht

4:20:14 PM

9/21/2006