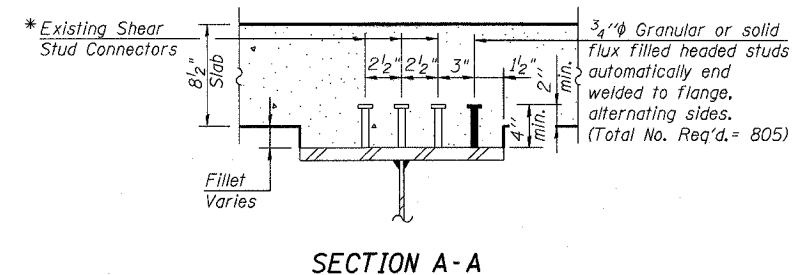
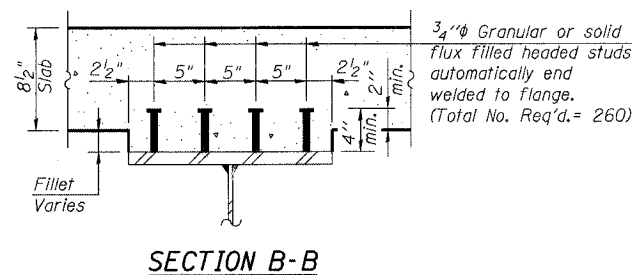
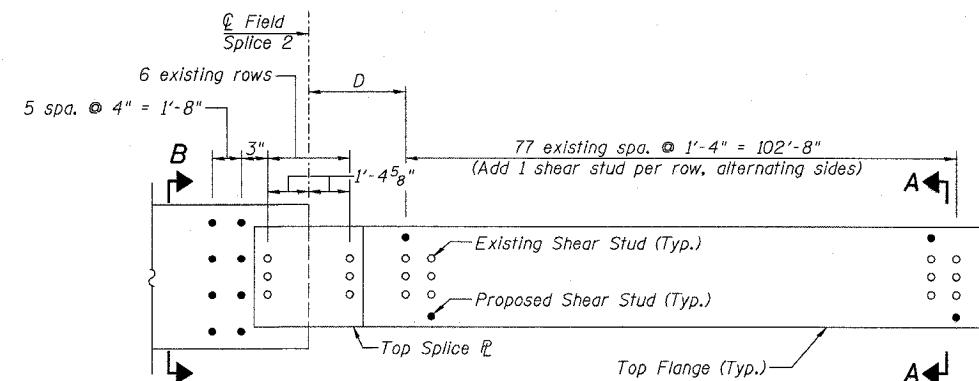
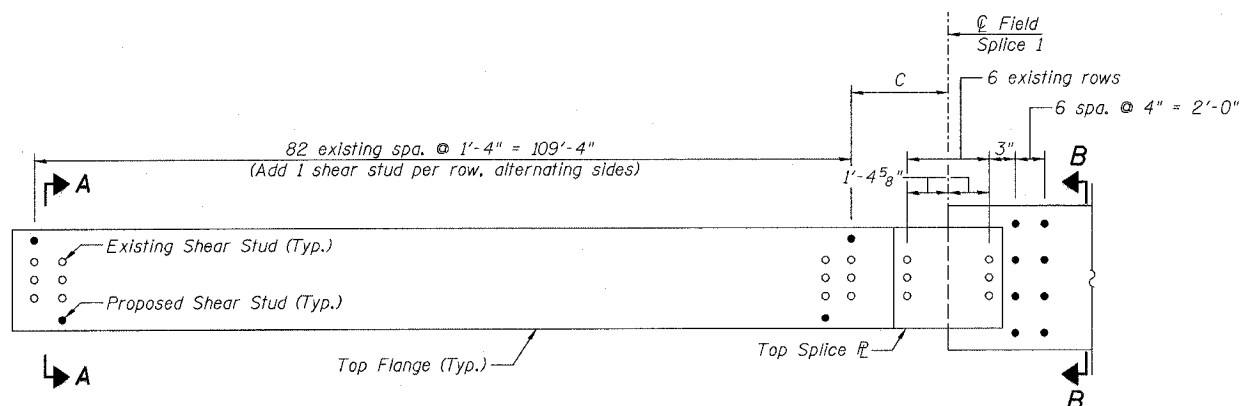
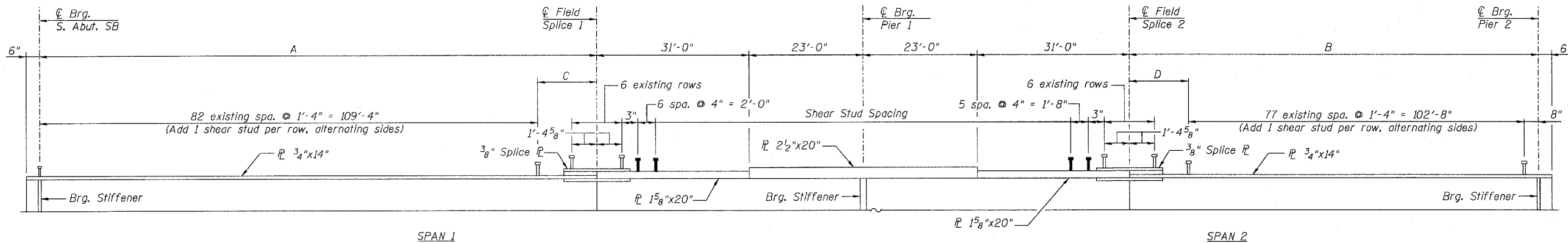


STATE OF ILLINOIS
DEPARTMENT OF TRANSPORTATION

ROUTE NO.	SECTION	COUNTY	SHEET	SHEET NO.
F.A.I. 39	50-4B	LASALLE	202	179
FED. ROAD DIST. NO. 7	ILLINOIS	FED. AID PROJECT		313 SHEETS

Contract # 66586



GIRDER VARIABLES

Girder	A	B	C	D
G1	112'-1 1/8"	106'-1 5/16"	2'-9 7/8"	2'-9 5/16"
G2	111'-10 1/16"	105'-11"	2'-6 1/16"	2'-7"
G3	111'-8 3/16"	105'-8 1/16"	2'-4 5/16"	2'-4 1/16"
G4	111'-5 7/8"	105'-6 3/8"	2'-1 7/8"	2'-2 3/8"
G5	111'-3 1/2"	105'-4 1/8"	1'-11 1/2"	2'-0 1/16"

* Fillet reinforcement will be required if existing studs do not meet the minimum projection into proposed deck. See detail on sheet 168.

DESIGNED -	KWS
CHECKED -	MRB
DRAWN -	JGY
CHECKED -	MTH

LIN ENGINEERING, LTD.
210 W. Chestnut
Chatham, Illinois 62629
(217) 483-4168
FAX (217) 483-4106

benesch
alfred benesch & company
Engineers • Surveyors • Planners
205 North Michigan Avenue, Suite 2400
Chicago, Illinois 60601
312-565-0450
Job # 3858

SHEAR STUDS - SPANS 1 & 2 SB
ABRAHAM LINCOLN BRIDGE OVER
THE ILLINOIS RIVER (PUBLIC WATERS)
F.A.I. ROUTE 39 SEC. (50-4B) BR
LASALLE COUNTY
STATION 863+16.00
STRUCTURE NO. 050-0191 (SB & NB)

8/30/2006 9:04:24 AM x:\3800s\3856\structures\abe lincoln memorial\final\plans\studs.l&2sb.sht