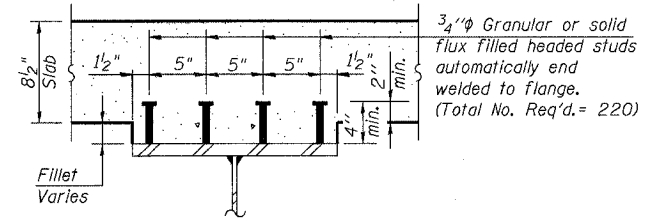
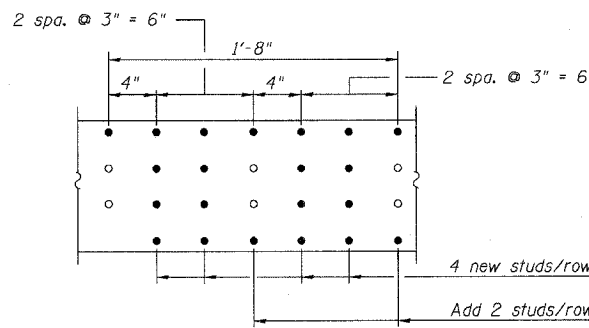
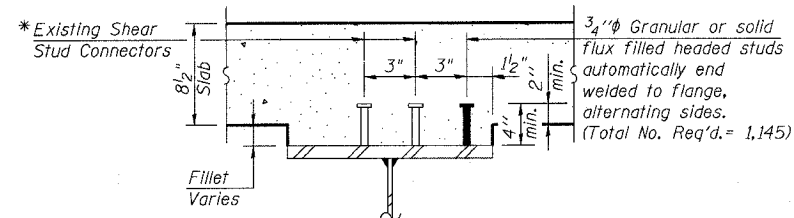
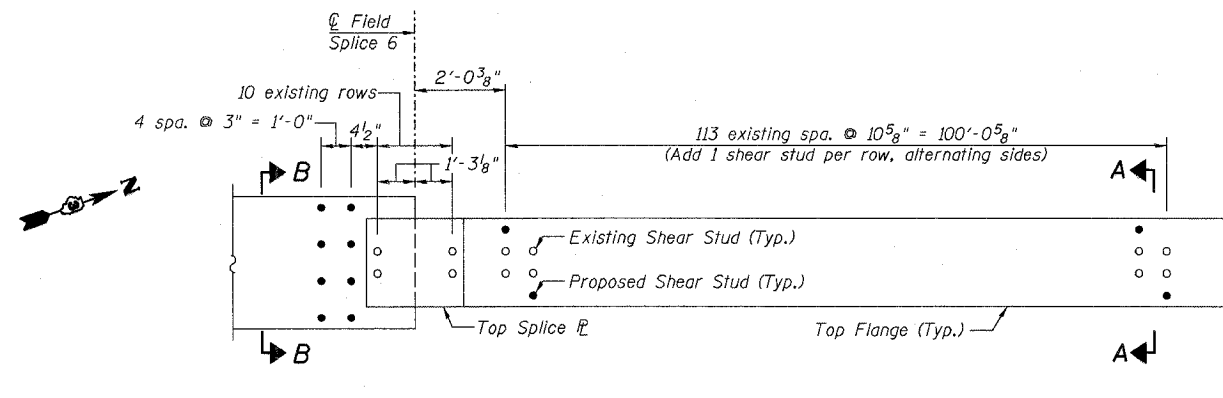
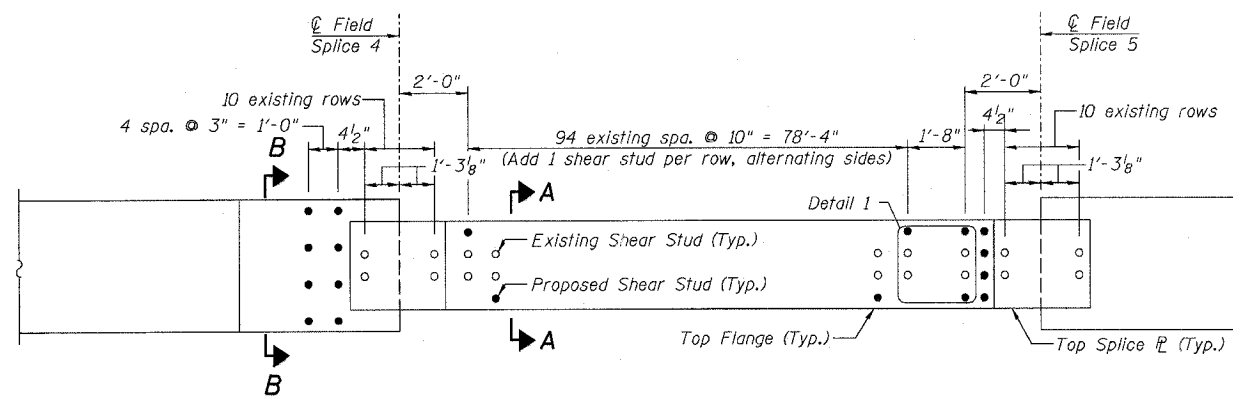
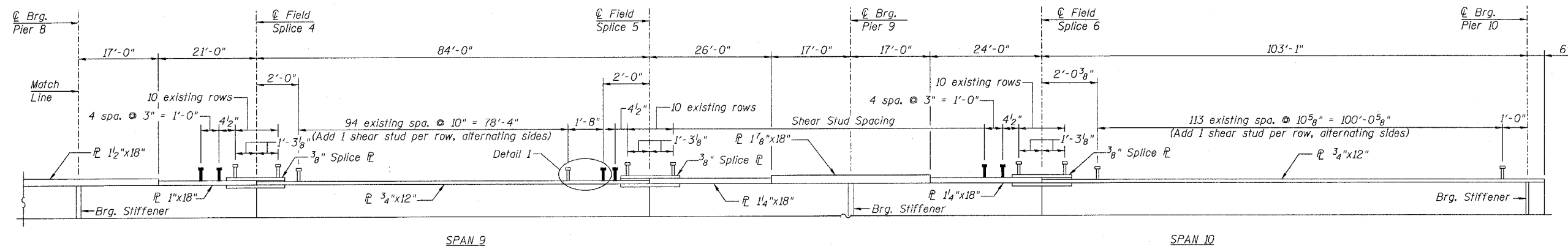


STATE OF ILLINOIS
DEPARTMENT OF TRANSPORTATION

ROUTE NO. F.A.I. 39	SECTION 50-4B	COUNTY LASALLE	SHEET 207	SHEET NO. 184 313 SHEETS
FED. ROAD DIST. NO. 7		ILLINOIS FED. AID PROJECT		

Contract # 66586



SHEAR STUDS - SPANS 9 & 10 SB
ABRAHAM LINCOLN MEMORIAL BRIDGE OVER
THE ILLINOIS RIVER (PUBLIC WATERS)
F.A.I. ROUTE 39 SEC. (50-4B) BR
LASALLE COUNTY
STATION 863+16.00
STRUCTURE NO. 050-0191 (SB & NB)

benesch
alfred benesch & company
Engineers - Surveyors - Planners
205 North Michigan Avenue, Suite 2400
Chicago, Illinois 60601
312-965-0450
Job # 3856

LIN ENGINEERING, LTD.
210 W. Chestnut
Chatham, Illinois 62629
(217) 483-4668
FAX (217) 483-4106

DESIGNED -	KWS
CHECKED -	MRB
DRAWN -	JGY
CHECKED -	MTH

* Fillet reinforcement will be required if existing studs do not meet the minimum projection into proposed deck. See detail on sheet 168.

8/30/2006 9:04:35 AM x:\3800s\3856\structures\abe lincoln memorial\final\plans\studs_9&10SB.sht