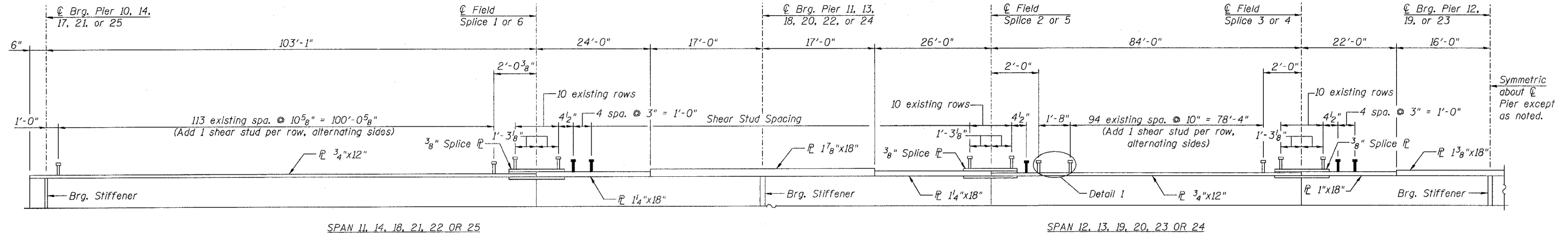


STATE OF ILLINOIS  
DEPARTMENT OF TRANSPORTATION

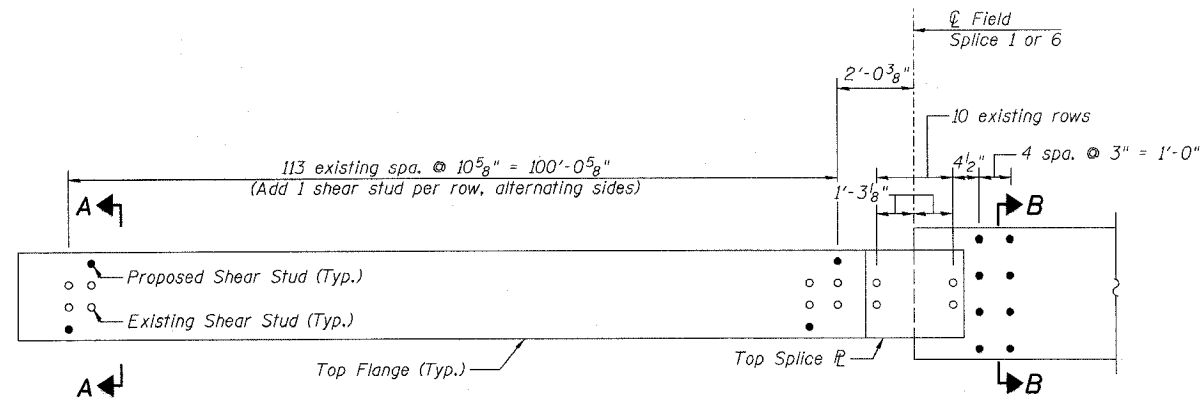
ROUTE NO.	SECTION	COUNTY	SHEET NO.	TOTAL SHEETS
F.A.I. 39	50-4B	LASALLE	209	313 SHEETS
FED. ROAD DIST. NO. 7		ILLINOIS FED. AID PROJECT		

Contract # 66586

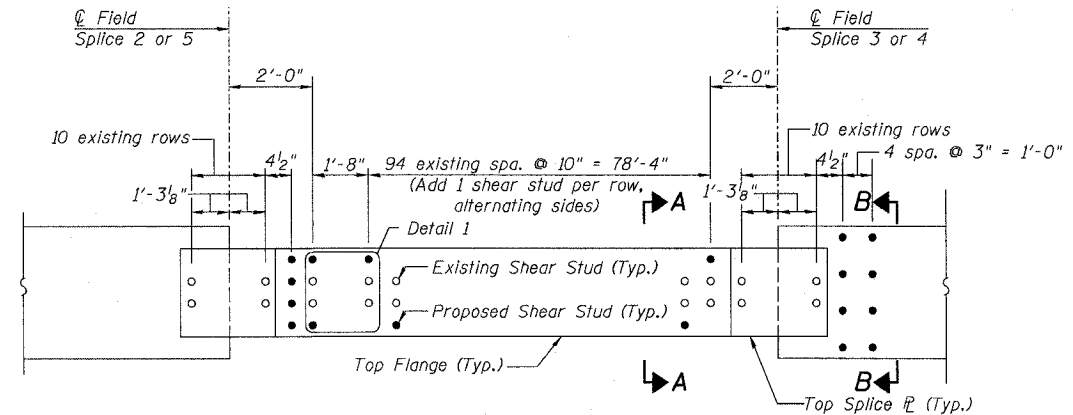
SHEET NO. 186  
313 SHEETS



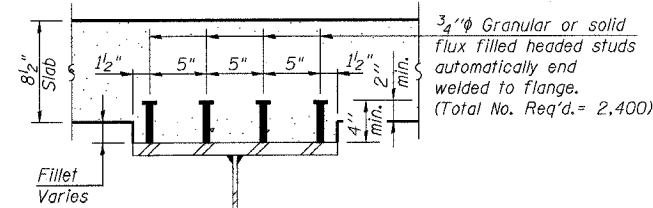
GIRDER ELEVATION



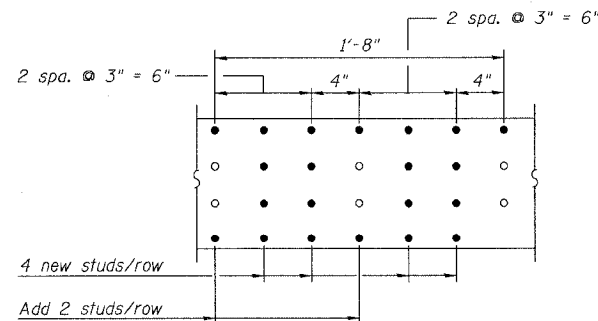
PARTIAL PLAN  
(Span 11, 14, 18, 21, 22, or 25)



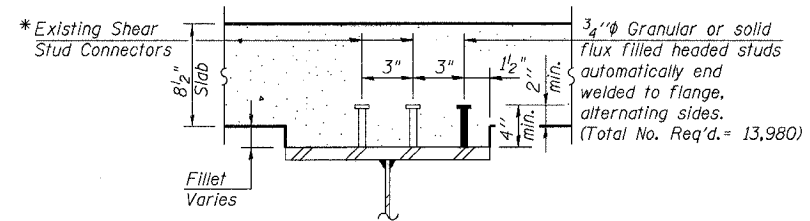
PARTIAL PLAN  
(Span 12, 13, 19, 20, 23, or 24)



SECTION B-B



DETAIL 1



SECTION A-A

\* Fillet reinforcement will be required if existing studs do not meet the minimum projection into proposed deck. See detail on sheet 168.

SHEAR STUDS - SPANS 11 THRU 14,  
18 THRU 21, AND 22 THRU 25  
ABRAHAM LINCOLN BRIDGE OVER  
THE ILLINOIS RIVER (PUBLIC WATERS)  
F.A.I. ROUTE 39 SEC. (50-4B) BR  
LASALLE COUNTY  
STATION 863+16.00  
STRUCTURE NO. 050-0191 (SB & NB)

DESIGNED	KWS
CHECKED	MRB
DRAWN	JGY
CHECKED	MTH

**LIN ENGINEERING, LTD.**  
210 W. Chestnut  
Chatham, Illinois 62629  
(217) 483-4668  
FAX (217) 483-4706

**benesch**  
alfred benesch & company  
Engineers - Surveyors - Planners  
205 North Michigan Avenue, Suite 2400  
Chicago, Illinois 60601  
312-565-0450  
Job # 3886

8/30/2006 9:04:39 AM x:\3800s\3856\structures\abe lincoln memorial\final\plans\Studs.lif\thru14&18thru25.sht