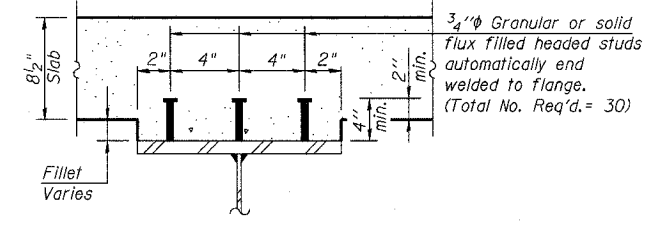
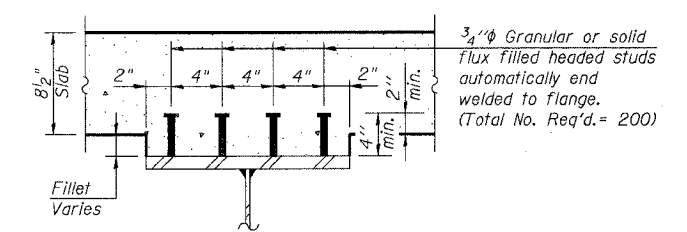
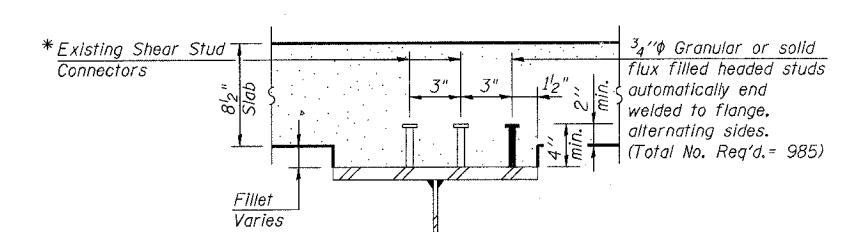
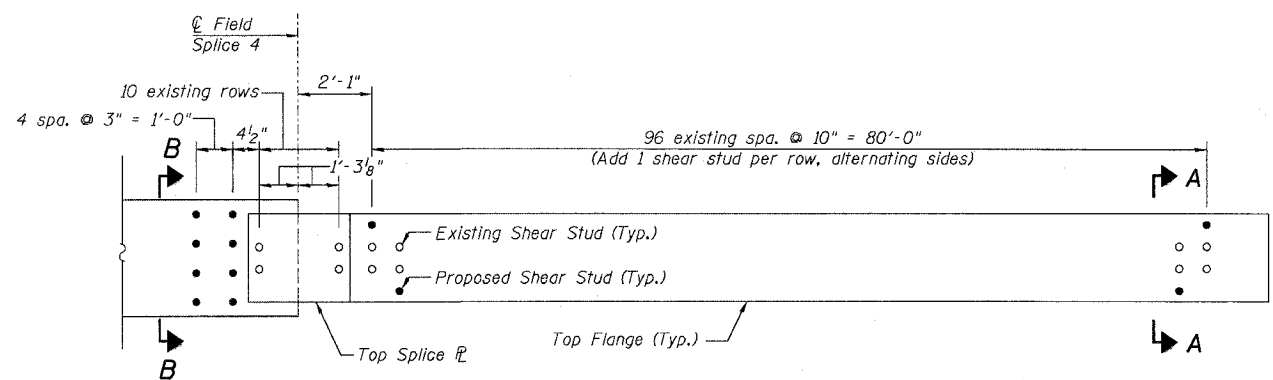
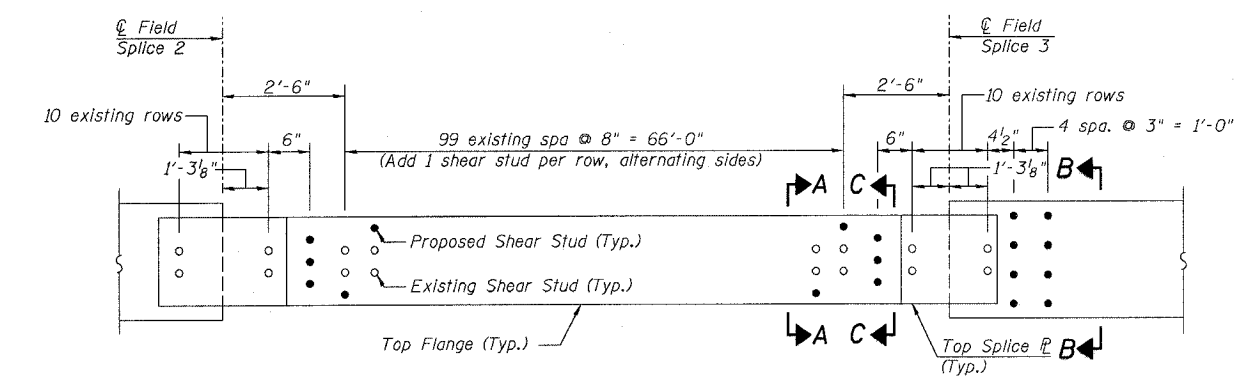
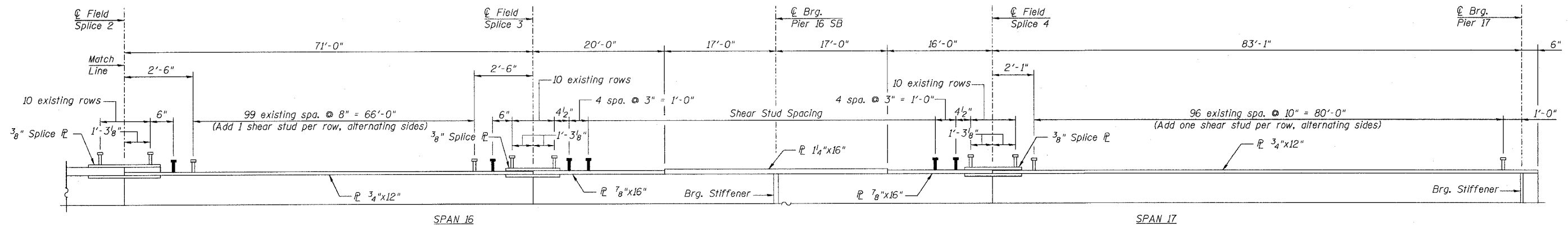


STATE OF ILLINOIS  
DEPARTMENT OF TRANSPORTATION

ROUTE NO.	SECTION	COUNTY	ISD SHEETS	SHEET NO.	SHEET NO. 189 313 SHEETS
F.A.I. 39	50-4B	LASALLE		212	
FED. ROAD DIST. NO. 7	ILLINOIS	FED. AID PROJECT			

Contract # 66586



\* Fillet reinforcement will be required if existing studs do not meet the minimum projection into proposed deck. See detail on sheet 16B.

DESIGNED -	KWS
CHECKED -	MRB
DRAWN -	JCY
CHECKED -	MTH

**LIN ENGINEERING, LTD.**  
20 W. Chestnut  
Chatham, Illinois 62629  
(217) 483-4168  
FAX (217) 483-4706

**benesch**  
alfred benesch & company  
Engineers • Surveyors • Planners  
205 North Michigan Avenue, Suite 2400  
Chicago, Illinois 60601  
312-665-0490  
Job # 3856

**SHEAR STUDS - SPANS 16 & 17 SB**  
**ABRAHAM LINCOLN MEMORIAL BRIDGE OVER**  
**THE ILLINOIS RIVER (PUBLIC WATERS)**  
**F.A.I. ROUTE 39 SEC. (50-4B) BR**  
**LASALLE COUNTY**  
**STATION 863+16.00**  
**STRUCTURE NO. 050-0191 (SB & NB)**

8/30/2006 9:04:45 AM x:\3800s\3856\structures\abe lincoln memorial\final\plans\studs\_16&17SB.sht