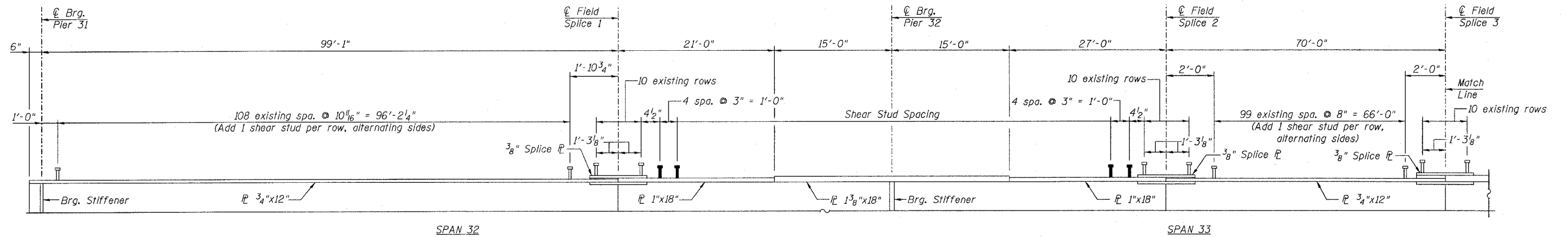


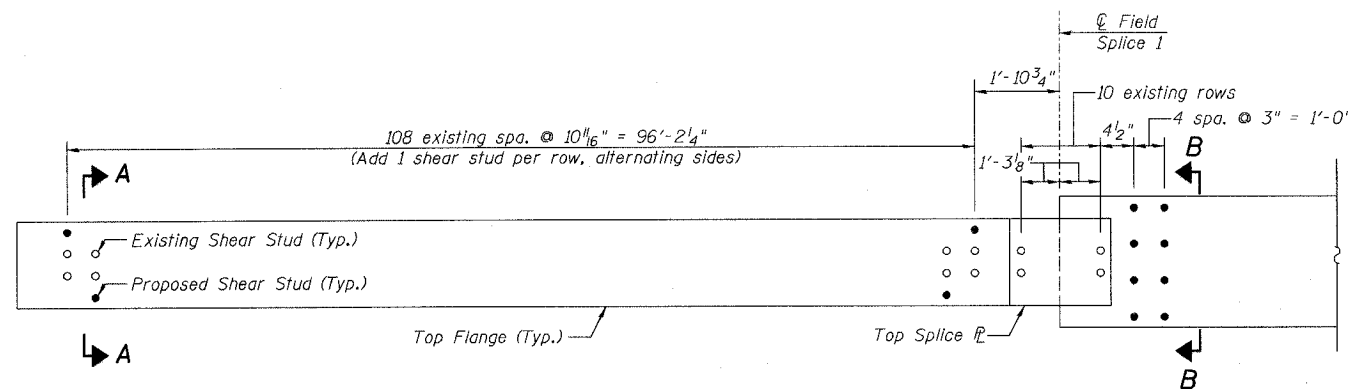
STATE OF ILLINOIS
DEPARTMENT OF TRANSPORTATION

ROUTE NO.	SECTION	COUNTY	SHEET	SHEET NO.
F.A.I. 39	50-4B	LASALLE	215	192
FED. ROAD DIST. NO. 7	ILLINOIS	FED. AID PROJECT-		313 SHEETS

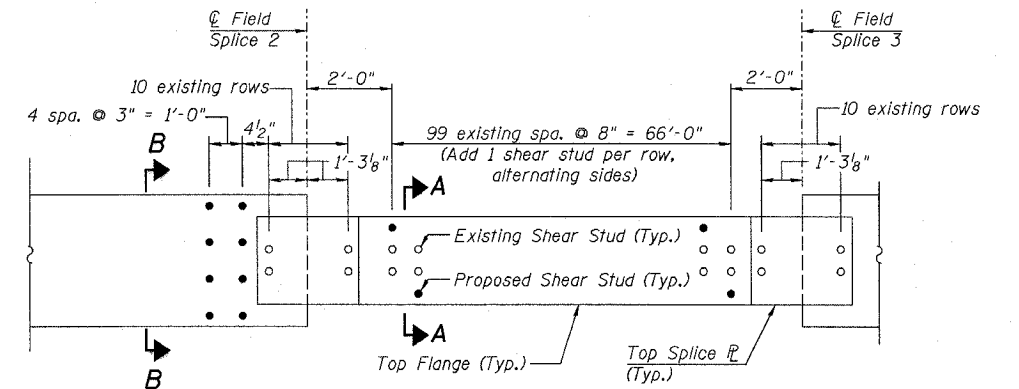
Contract # 66586



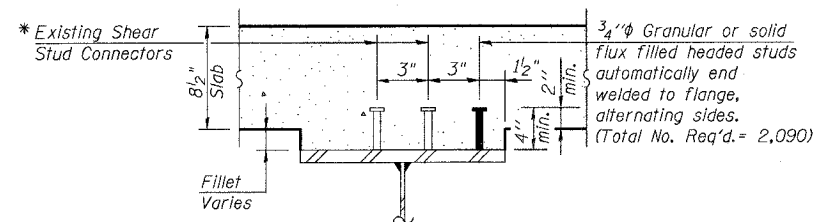
GIRDER ELEVATION



PARTIAL PLAN
(Span 32)

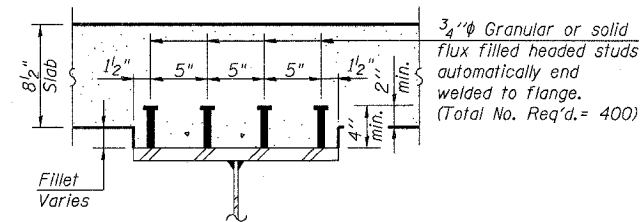


PARTIAL PLAN
(Span 33)



SECTION A-A

* Fillet reinforcement will be required if existing studs do not meet the minimum projection into proposed deck. See detail on sheet 168.



SECTION B-B

SHEAR STUDS - SPANS 32 & 33
ABRAHAM LINCOLN MEMORIAL BRIDGE OVER
THE ILLINOIS RIVER (PUBLIC WATERS)
F.A.I. ROUTE 39 SEC. (50-4B) BR
LASALLE COUNTY
STATION 863+16.00
STRUCTURE NO. 050-0191 (SB & NB)

DESIGNED	-	KWS
CHECKED	-	MRB
DRAWN	-	JGY
CHECKED	-	MTH

LIN ENGINEERING, LTD.
 210 W. Chestnut
 Chatham, Illinois 62629
 (217) 483-4168
 FAX (217) 483-4106

benesch
 alfred benesch & company
 Engineers • Surveyors • Planners
 205 North Michigan Avenue, Suite 2400
 Chicago, Illinois 60601
 312-665-0460
 Job # 3856

x:\3800s\3856\structures\abe\lincoln memorial\final\plans\Studs_32&33.sht

9:04:52 AM

8/30/2006