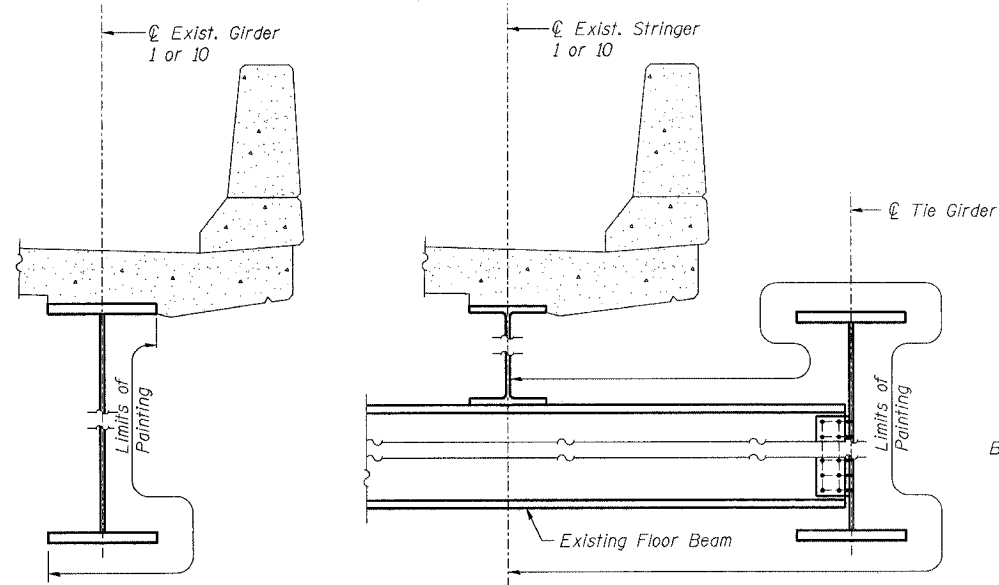


STATE OF ILLINOIS  
DEPARTMENT OF TRANSPORTATION

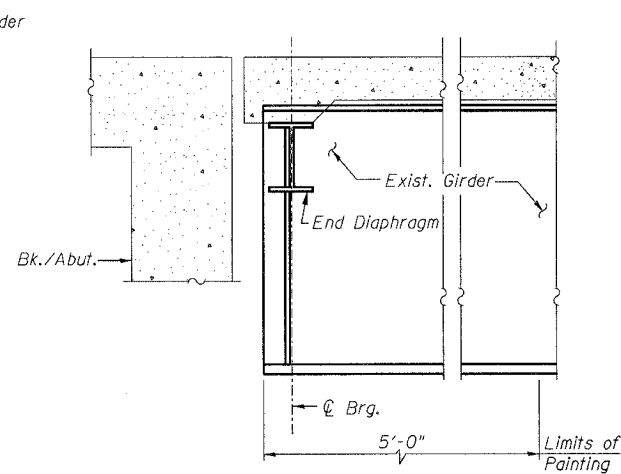
|                       |         |                           |           |            |
|-----------------------|---------|---------------------------|-----------|------------|
| ROUTE NO.             | SECTION | COUNTY                    | SHEET NO. | SHEET      |
| F.A.I.<br>39          | 50-4B   | LASALLE                   | 243       | 313 SHEETS |
| FED. ROAD DIST. NO. 7 |         | ILLINOIS FED. AID PROJECT |           |            |

Contract # 66586

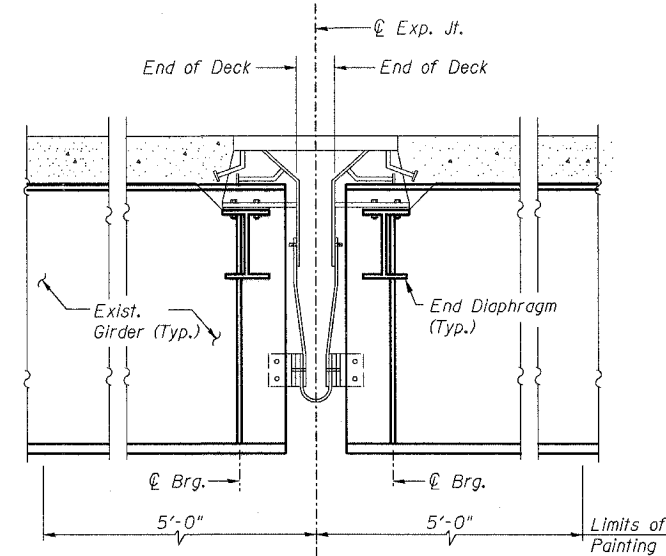


**APPROACH FASCIA GIRDER**

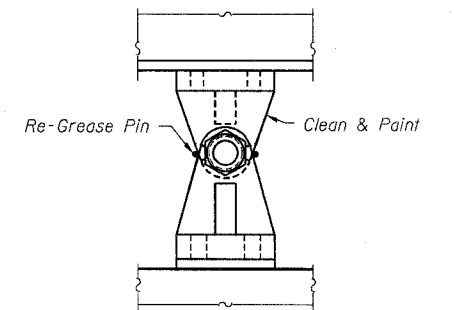
**TIE GIRDER AT ARCH SPAN**



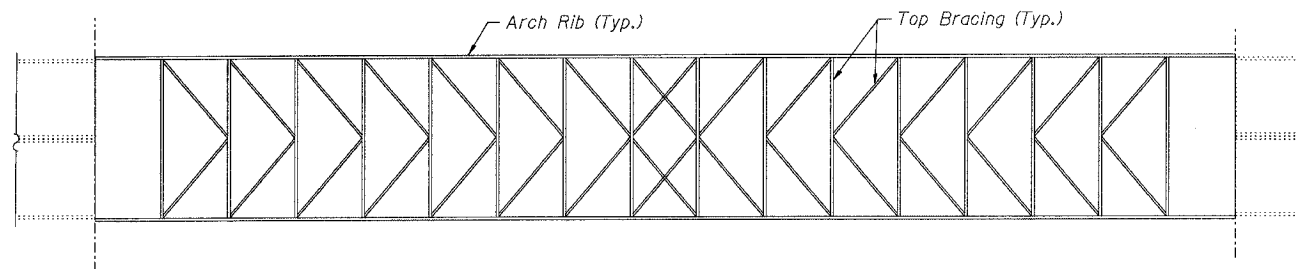
**AT ABUTMENTS**  
(S. Abut. shown, N. Abut. similar)  
(Painting includes end diaphragms)



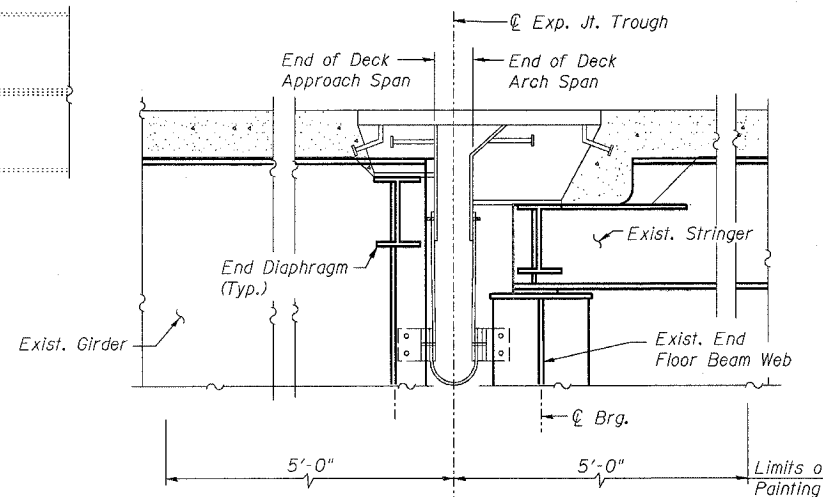
**AT APPROACH EXPANSION JOINTS**  
(Painting includes end diaphragms)



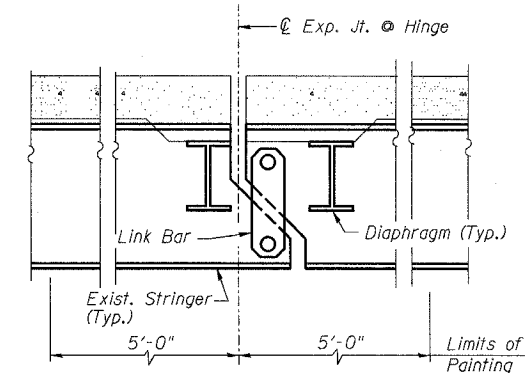
**EXISTING FIXED BEARING**  
(Cost of Re-Greasing included with  
Cleaning and Painting Existing Structural Steel)



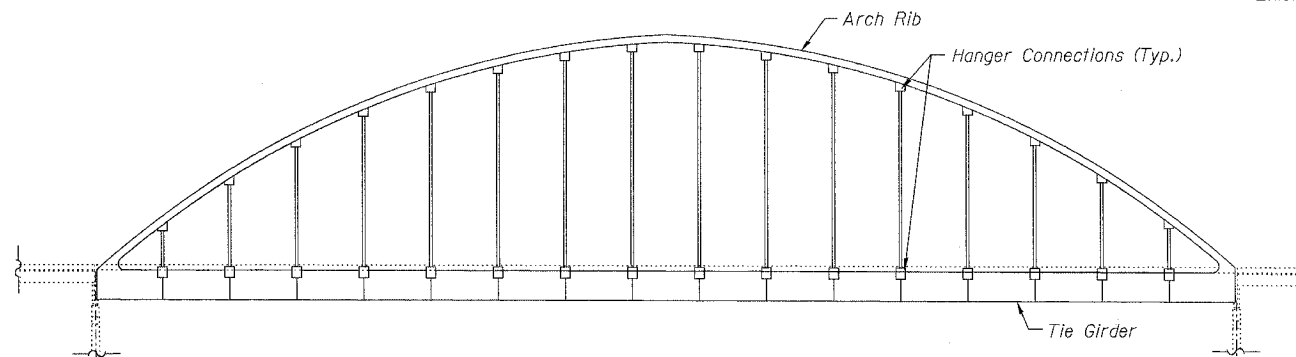
**TOP PLAN - TIED ARCH SPAN**  
(Painting includes Arch Ribs, Hanger Connections, Tie Girders & Top Bracing)



**AT EXPANSION JOINT - TIED ARCH SPAN**  
(Pier 34 shown near edge of Deck, Pier 35 opposite hand)  
(Painting includes live load supports, end floor beams,  
end diaphragms and bearings)



**AT INTERMEDIATE HINGES - TIED ARCH SPAN**  
(Painting includes link bars and diaphragms)



**ELEVATION - TIED ARCH SPAN**  
(Painting includes Arch Ribs, Hanger Connections, Tie Girder & Top Bracing)

|          |       |
|----------|-------|
| DESIGNED | MRB   |
| CHECKED  | HMA   |
| DRAWN    | AR/VH |
| CHECKED  | HMA   |

**benesch**

alfred benesch & company  
Engineers - Surveyors - Planners  
205 North Michigan Avenue, Suite 2400  
Chicago, Illinois 60601  
312-565-0450  
Job # 3856

**PAINTING LIMITS**  
**ABRAHAM LINCOLN MEMORIAL BRIDGE OVER**  
**THE ILLINOIS RIVER (PUBLIC WATERS)**  
**F.A.I. ROUTE 39 SEC. (50-4B) BR**  
**LASALLE COUNTY**  
**STATION 863+16.00**  
**STRUCTURE NO. 050-0191 (SB & NB)**

x:\3800s\3856\structures\abe lincoln memorial final\plans\VL\_paint.sht

3:04:57 PM

10/16/2006