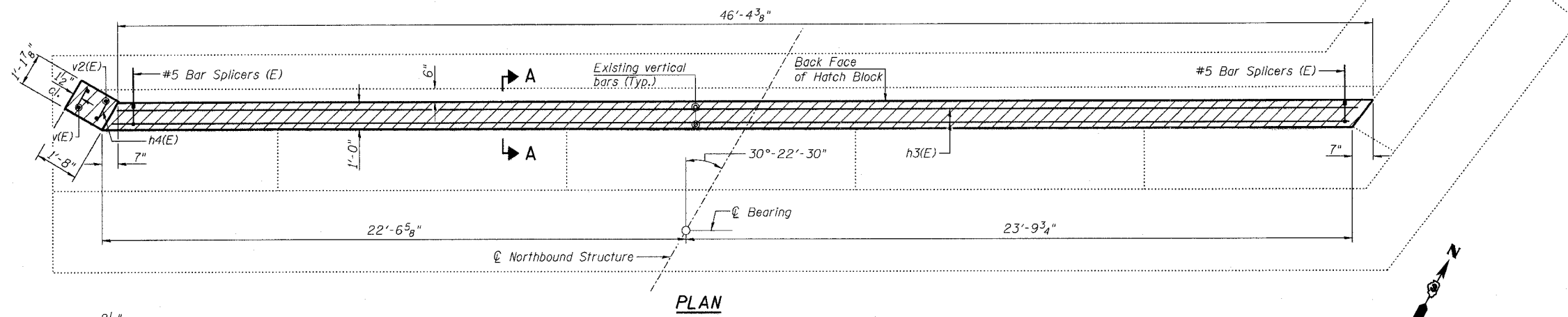


STATE OF ILLINOIS
DEPARTMENT OF TRANSPORTATION

ROUTE NO. F.A.I. 39	SECTION 50-4B	COUNTY LASALLE	TOTAL SHEETS 248	SHEET NO. 248
FED. ROAD DIST. NO. 7				ILLINOIS
FED. AID PROJECT-				ILLINOIS

SHEET NO. 225
313 SHEETS

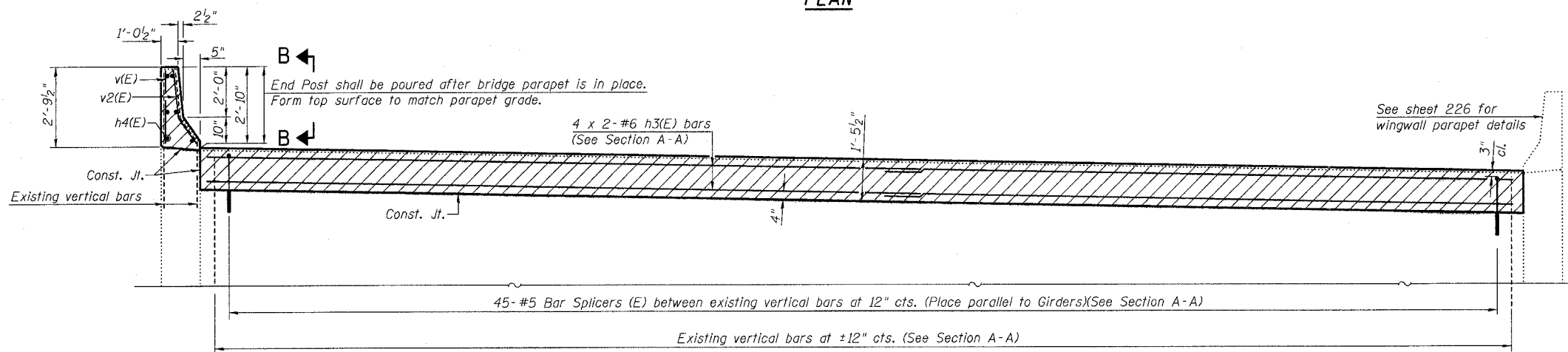
Contract # 66586



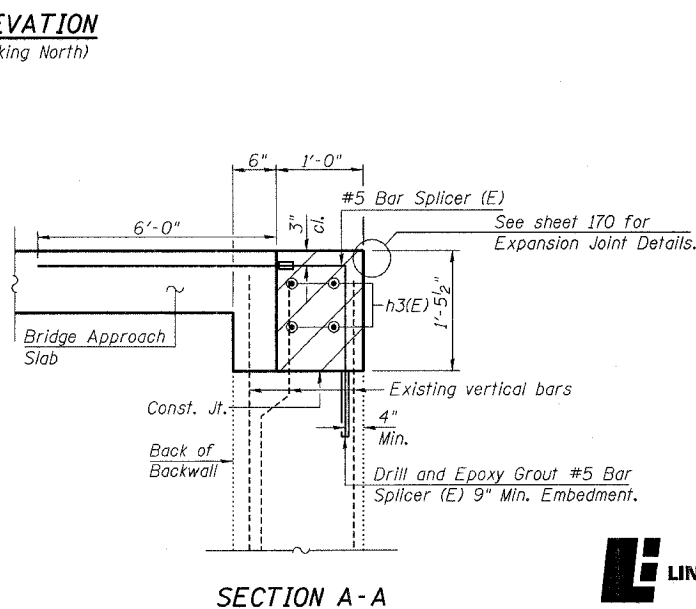
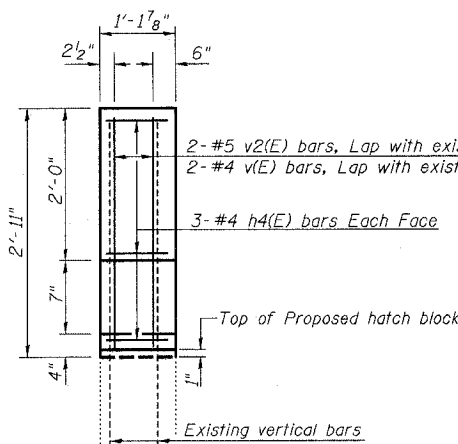
**ABUTMENT
BILL OF MATERIAL**

Bar	No.	Size	Length	Shape
h3(E)	8	#6	24'-4"	—
h4(E)	6	#4	1'-0"	—
v(E)	2	#4	2'-6"	—
v2(E)	2	#5	2'-8"	—
Concrete Superstructure			Cu. Yd.	5.0
Reinforcement Bars, Epoxy Coated			Pound	310

Reinforcement Bars designated (E) shall be epoxy coated.

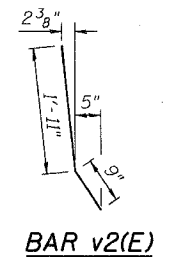


MIN. BAR LAP
#6 = 2'-7"



NOTES:

- Existing reinforcement shall be cleaned, straightened and incorporated into the new concrete, in accordance with IDOT Standard Specifications Article 501.03. Cost included in "Concrete Removal".
- See Sheet 217 for bar splicer details.
- Hatched area to be poured after superstructure false work has been removed.
- Bars indicated thus 4 x 2-#6 etc. indicates 4 lines of bars with 2 lengths per line.



**BACKWALL REHAB. - NORTH ABUT. (NB)
ABRAHAM LINCOLN MEMORIAL BRIDGE OVER
THE ILLINOIS RIVER (PUBLIC WATERS)
F.A.I. ROUTE 39 SEC. (50-4B) BR
LASALLE COUNTY
STATION 863+16.00
STRUCTURE NO. 050-0191 (SB & NB)**

LIN ENGINEERING, LTD.
210 W. Chestnut
Chariton, Illinois 62629
(217) 483-4168
FAX (217) 483-4706

benesch
alfred benesch & company
Engineers • Surveyors • Planners
205 North Michigan Avenue, Suite 2400
Chicago, Illinois 60601
312-665-0450
Job # 3856

DESIGNED	ADB
CHECKED	STD
DRAWN	ADB
CHECKED	MTH

x:\3800s\3856\structures\From_Lin\Wingwalls-Parapets\NorthAbut--NB-HatchBlock.sht

10:07:11 AM

8/30/2006