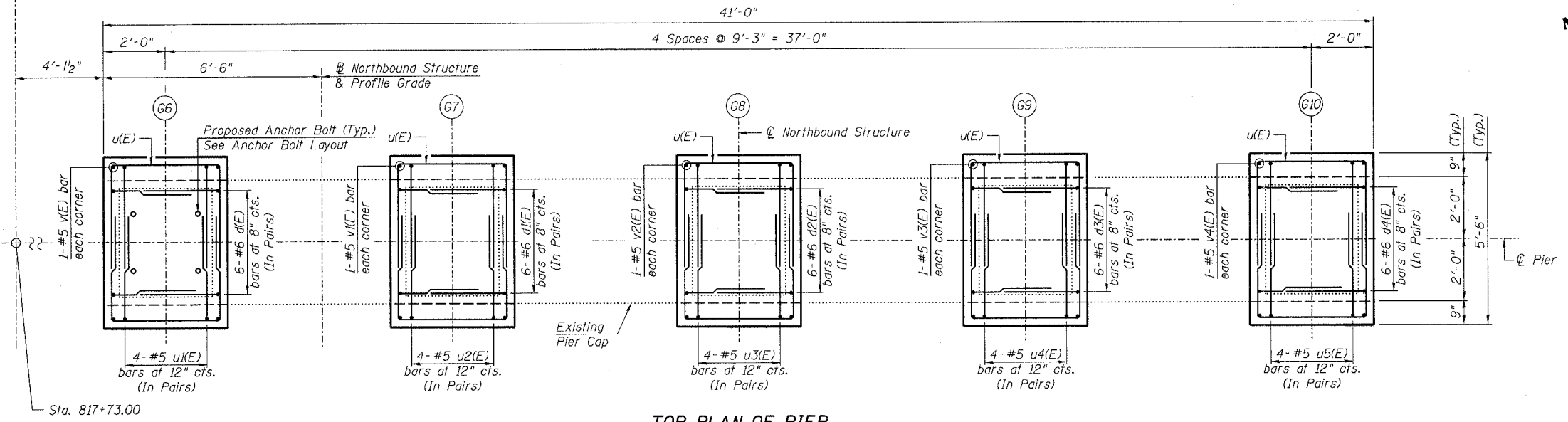


STATE OF ILLINOIS
DEPARTMENT OF TRANSPORTATION

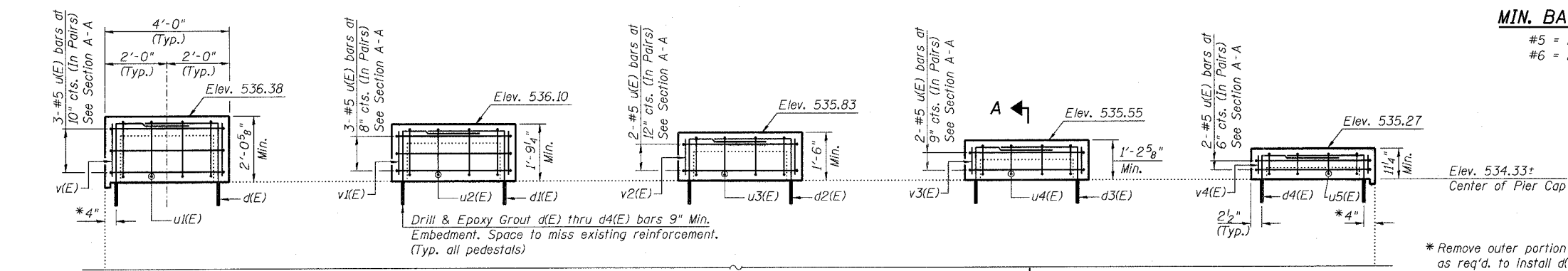
ROUTE NO. F.A.I. 39	SECTION 50-4B	COUNTY LASALLE	SHEET 213	SHEET NO. 240
FED. ROAD DIST. NO. 7		ILLINOIS	FED. AID PROJECT-	313 SHEETS

Contract # 66586

Local Tangent to
@ 7@ F.A.I. 39

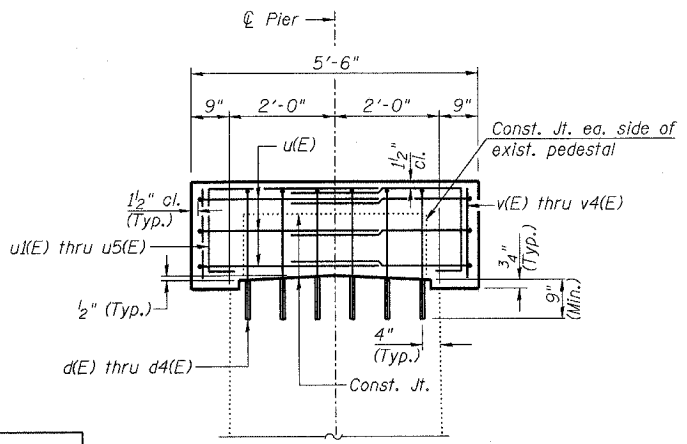


TOP PLAN OF PIER

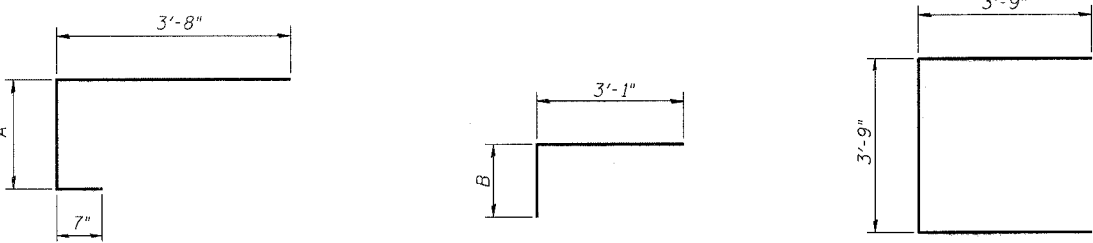


ELEVATION
(Looking North)

MIN. BAR LAP
#5 = 2'-2"
#6 = 2'-7"

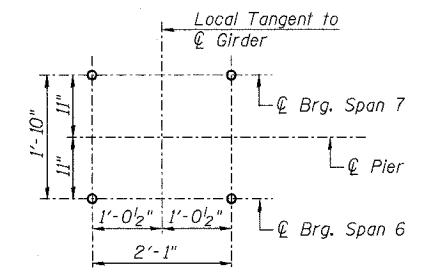


SECTION A-A



Bar	A
u1(E)	1'-10"
u2(E)	1'-6"
u3(E)	1'-3"
u4(E)	1'-0"
u5(E)	8"

Bar	B
d1(E)	2'-8"
d2(E)	2'-5"
d3(E)	2'-2"
d4(E)	1'-10"
d4(E)	1'-7"



ANCHOR BOLT LAYOUT
(Typ. each pedestal)

PIER 6 NB
BILL OF MATERIAL

Bar	No.	Size	Length	Shape
d1(E)	12	#6	5'-9"	┌
d2(E)	12	#6	5'-6"	┌
d3(E)	12	#6	5'-3"	┌
d3(E)	12	#6	4'-11"	┌
d4(E)	12	#6	4'-8"	┌
u1(E)	24	#5	11'-3"	┌
u2(E)	8	#5	6'-1"	┌
u3(E)	8	#5	5'-9"	┌
u4(E)	8	#5	5'-6"	┌
u5(E)	8	#5	5'-3"	┌
u5(E)	8	#5	4'-11"	┌
v1(E)	4	#5	1'-10"	—
v2(E)	4	#5	1'-7"	—
v3(E)	4	#5	1'-4"	—
v4(E)	4	#5	1'-0"	—
v4(E)	4	#5	0'-9"	—
Concrete Structures		Cu. Yd.	5.2	
Reinforcement Bars, Epoxy Coated		Pound	1010	
Bridge Seat Sealer		Sq. Ft.	374	
Concrete Removal		Cu. Yd.	0.7	

Reinforcement Bars designated (E) shall be epoxy coated.

NOTES:

- Prior to ordering any material, the Contractor shall verify in the field all bearing height and shim thickness dimensions.
- Space pedestal reinforcement to miss proposed anchor bolts.
- See Sheet 19 for removal details.
- See Sheet 215 for bearing details.

PEDESTAL REHAB. - PIER 6 NB
ABRAHAM LINCOLN BRIDGE OVER
THE ILLINOIS RIVER (PUBLIC WATERS)
F.A.I. ROUTE 39 SEC. (50-4B) BR
LASALLE COUNTY
STATION 863+16.00
STRUCTURE NO. 050-0191 (SB & NB)

LIN ENGINEERING, LTD.
210 W. Chestnut
Chatham, Illinois 62629
(217) 483-4168
FAX (217) 483-4706

benesch
alfred benesch & company
Engineers • Surveyors • Planners
205 North Michigan Avenue, Suite 2400
Chicago, Illinois 60601
312-565-0450
Job # 3856

DESIGNED - DLS
CHECKED - STD
DRAWN - SGL
CHECKED - MTH

8/30/2006 10:06:36 AM x:\3800s\3856\structures\abe\lincoln\memorial\plans\From_Lin_Pedestals\Ped_P6NB.sht