

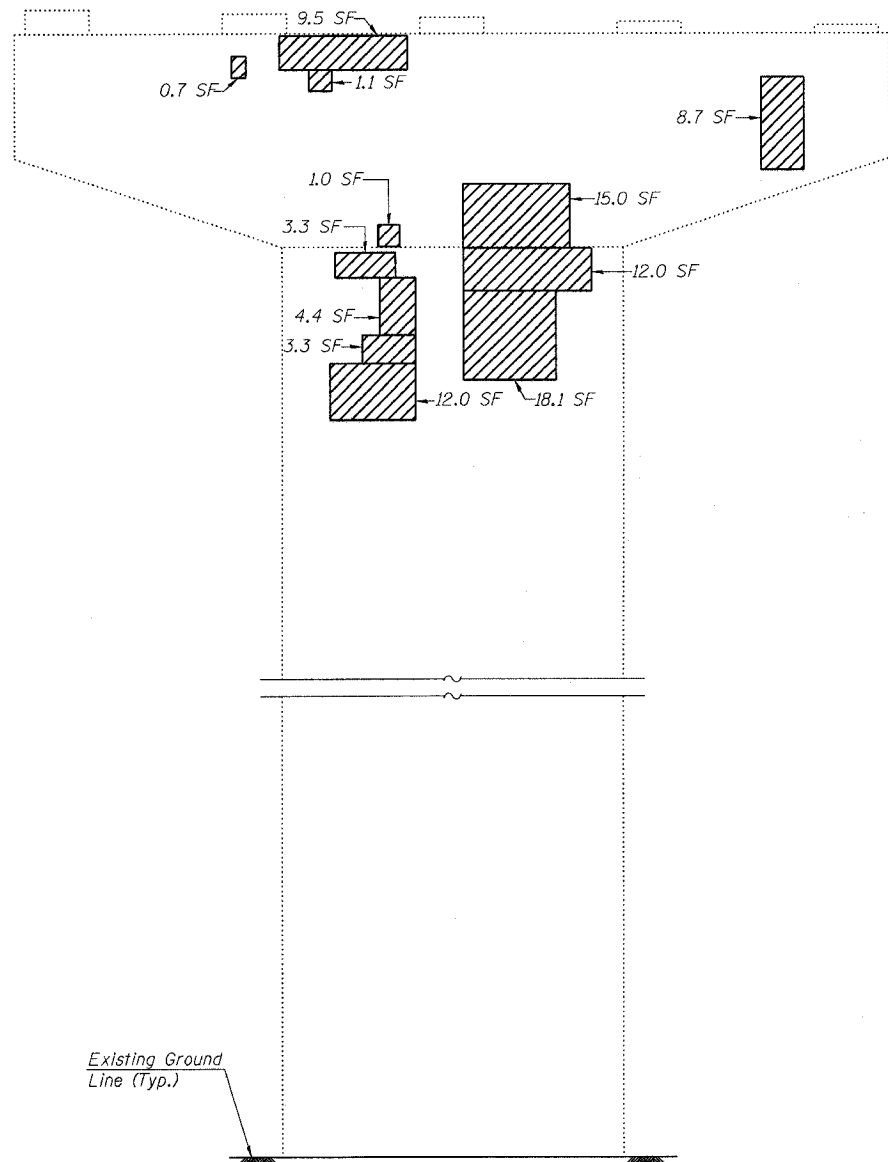
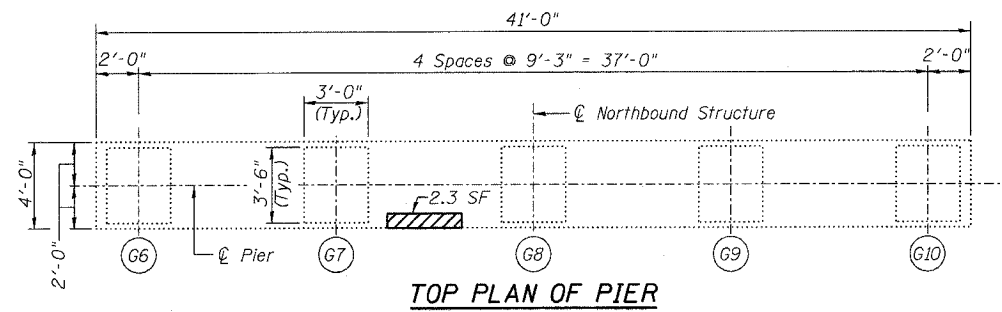
STATE OF ILLINOIS
DEPARTMENT OF TRANSPORTATION

ROUTE NO. F.A.I. 39	SECTION 50-4B	COUNTY LASALLE	SHEET 211	SHEET NO. 254 313 SHEETS
FED. ROAD DIST. NO. 7		ILLINOIS FED. AID PROJECT-		

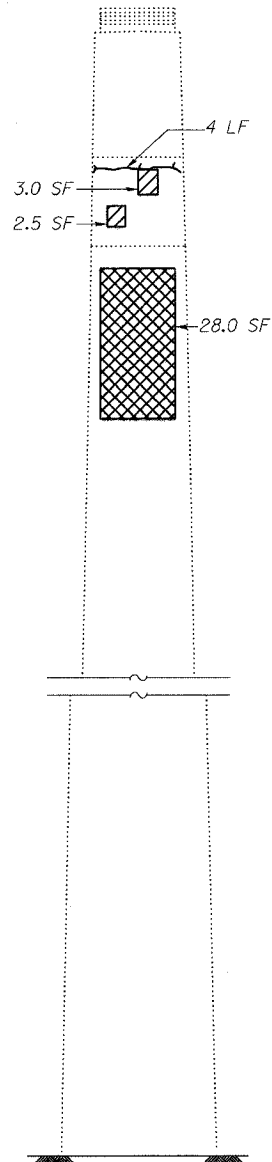
Contract # 66586

NOTES:

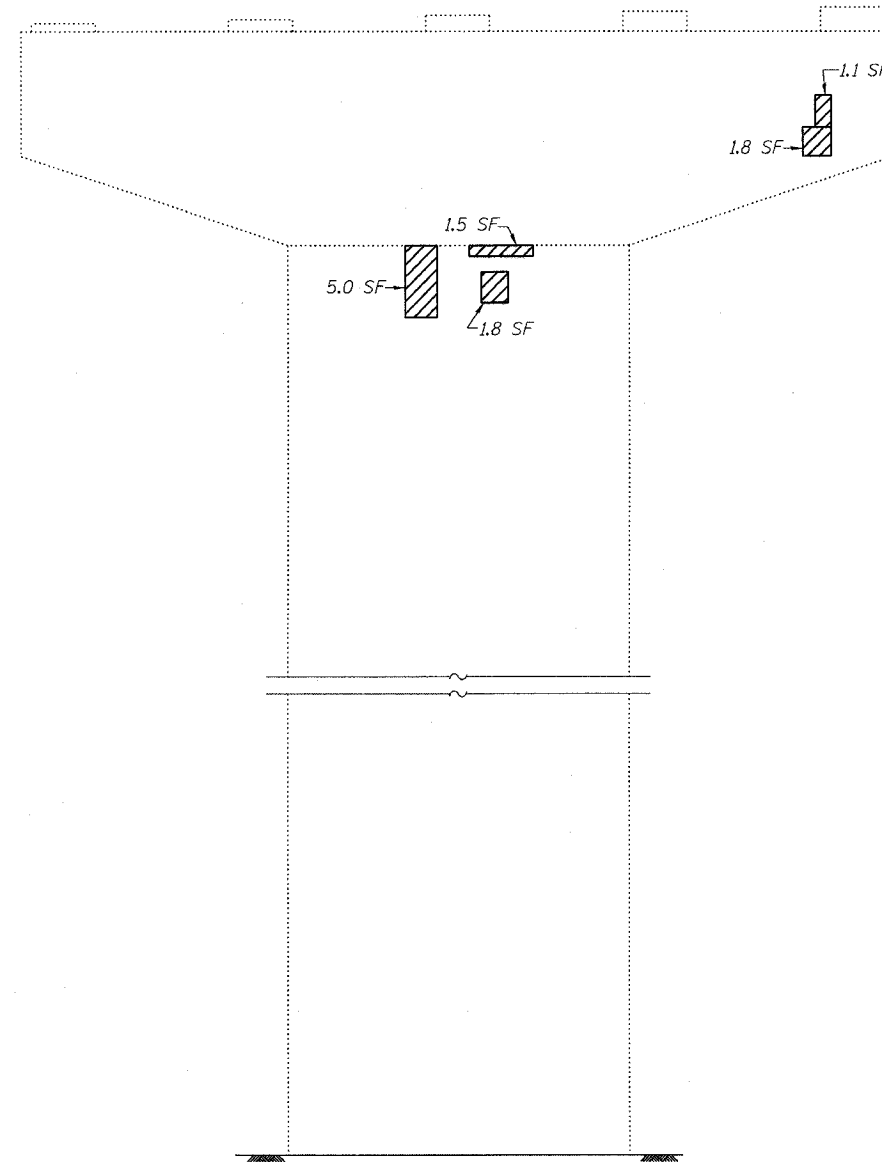
- The quantities shown are for estimating purposes only. The area to be repaired will be determined by the Engineer at the time of construction. Actual repair locations shall be shown on the as-built plans.
- See Sheet 256 for rehabilitation of concrete pedestals.



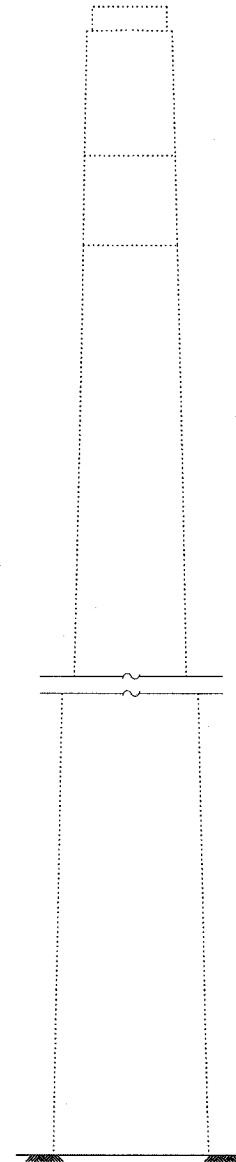
ELEVATION
(Looking North)



END VIEW
(Looking West)



ELEVATION
(Looking South)



END VIEW
(Looking East)

LEGEND

	Structural Repair of Concrete (Depth equal to or less than 5")
	Structural Repair of Concrete (Depth greater than 5")
	Epoxy Crack Sealing (Cracks ≥ 1/16" Wide)
SF	Square Feet
LF	Linear Feet

BILL OF MATERIAL

ITEM	UNIT	QUANTITY
Structural Repair of Concrete (Depth equal to or less than 5")	SF	108.1
Structural Repair of Concrete (Depth greater than 5")	SF	28.0
Epoxy Crack Sealing	LF	4

PIER REPAIR - PIER 14 NB
ABRAHAM LINCOLN MEMORIAL BRIDGE OVER
THE ILLINOIS RIVER (PUBLIC WATERS)
F.A.I. ROUTE 39 SEC. (50-4B) BR
LASALLE COUNTY
STATION 863+16.00
STRUCTURE NO. 050-0191 (SB & NB)

LIN ENGINEERING, LTD.
210 W. Chestnut
Chatham, Illinois 62629
(217) 483-4168
FAX (217) 483-4706

benesch
alfred benesch & company
Engineers • Surveyors • Planners
208 North Michigan Avenue, Suite 2400
Chicago, Illinois 60601
312-565-0450
Job # 3056

x:\3800s\3856\structures\abe lincoln memorial\find\plans\From_Lin\Pier_Repair_VP14_NB.sht

10:05:36 AM

8/30/2006