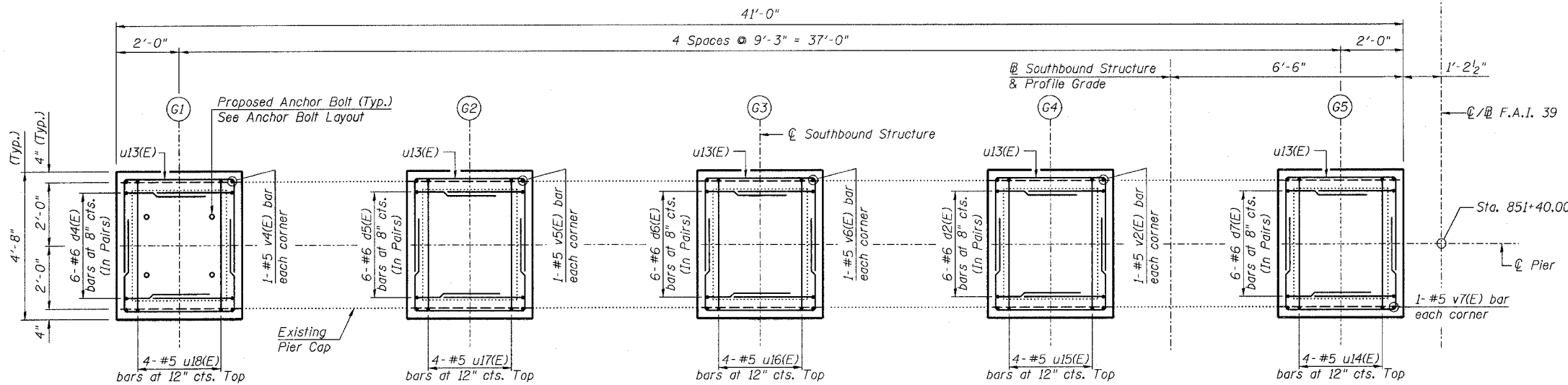


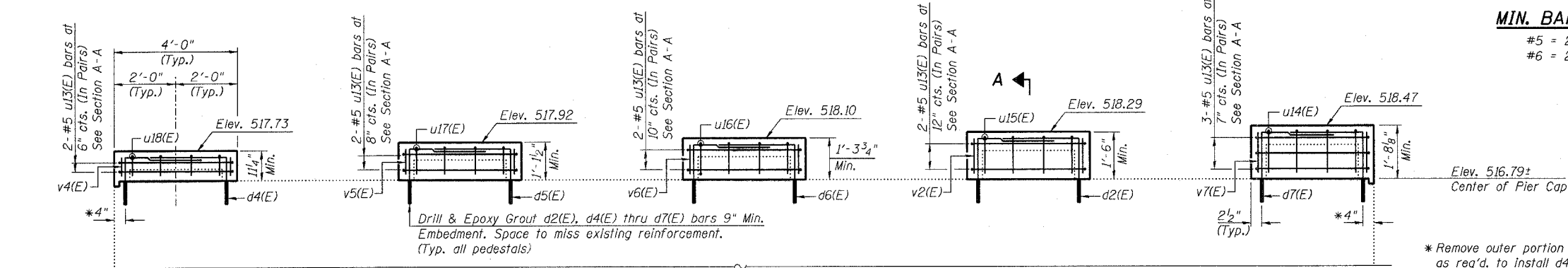
STATE OF ILLINOIS
DEPARTMENT OF TRANSPORTATION

ROUTE NO.	SECTION	COUNTY	SHEET NO.	SHEET	SHEET NO.
F.A.I. 39	50-4B	LASALLE	303	303	280
FED. ROAD DIST. NO. 7	ILLINOIS	FED. AID PROJECT-			313 SHEETS

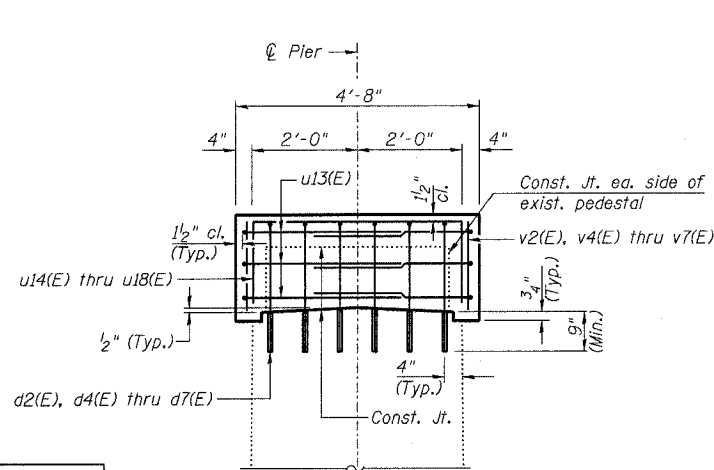
Contract # 66586



TOP PLAN OF PIER



ELEVATION
(Looking North)



SECTION A-A

BARS u14(E) thru u18(E)

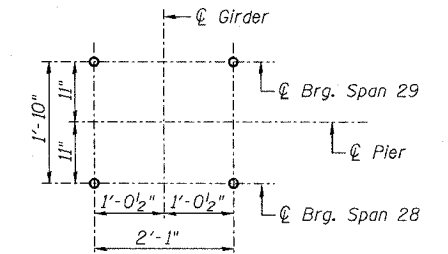
Bar	A
u14(E)	1'-5"
u15(E)	1'-3"
u16(E)	1'-1"
u17(E)	11"
u18(E)	8"

BARS d2(E), d4(E) thru d7(E)

Bar	B
d2(E)	2'-2"
d4(E)	1'-7"
d5(E)	1'-9"
d6(E)	1'-11"
d7(E)	2'-4"

BAR u13(E)

DESIGNED - DLS
CHECKED - STD
DRAWN - SGL
CHECKED - MTH



ANCHOR BOLT LAYOUT
(Typ. each pedestal)

PIER 28 SB
BILL OF MATERIAL

Bar	No.	Size	Length	Shape
d2(E)	12	#6	5'-3"	┌
d4(E)	12	#6	4'-8"	┌
d5(E)	12	#6	4'-10"	┌
d6(E)	12	#6	5'-0"	┌
d7(E)	12	#6	5'-5"	┌
u13(E)	22	#5	10'-5"	▬
u14(E)	4	#5	7'-1"	▬
u15(E)	4	#5	6'-9"	▬
u16(E)	4	#5	6'-5"	▬
u17(E)	4	#5	6'-1"	▬
u18(E)	4	#5	5'-7"	▬
v2(E)	4	#5	1'-4"	▬
v4(E)	4	#5	0'-9"	▬
v5(E)	4	#5	0'-11"	▬
v6(E)	4	#5	1'-2"	▬
v7(E)	4	#5	1'-6"	▬
Concrete Structures		Cu. Yd.	3.9	
Reinforcement Bars, Epoxy Coated		Pound	850	
Bridge Seat Sealer		Sq. Ft.	311	
Concrete Removal		Cu. Yd.	0.7	

Reinforcement Bars designated (E) shall be epoxy coated.

NOTES:

1. Prior to ordering any material, the Contractor shall verify in the field all bearing height and shim thickness dimensions.
2. Space pedestal reinforcement to miss proposed anchor bolts.
3. See Sheet 19 for removal details.
4. See Sheet 215 for bearing details.

PEDESTAL REHAB. - PIER 28 SB
ABRAHAM LINCOLN MEMORIAL BRIDGE OVER
THE ILLINOIS RIVER (PUBLIC WATERS)
F.A.I. ROUTE 39 SEC. (50-4B) BR
LASALLE COUNTY
STATION 863+16.00
STRUCTURE NO. 050-0191 (SB & NB)

LIN ENGINEERING, LTD.
210 W. Chestnut
Channahon, Illinois 62629
(271) 483-4658
FAX (271) 483-4706

benesch
alfred benesch & company
Engineers • Surveyors • Planners
205 North Michigan Avenue, Suite 2400
Chicago, Illinois 60601
312-865-0480
Job # 3856

x:\3800s\3856\structures\abe lincoln memorial\final\plans\From.Lin\Pedestals\Ped.P28SB.sht 10:04:33 AM 8/30/2006