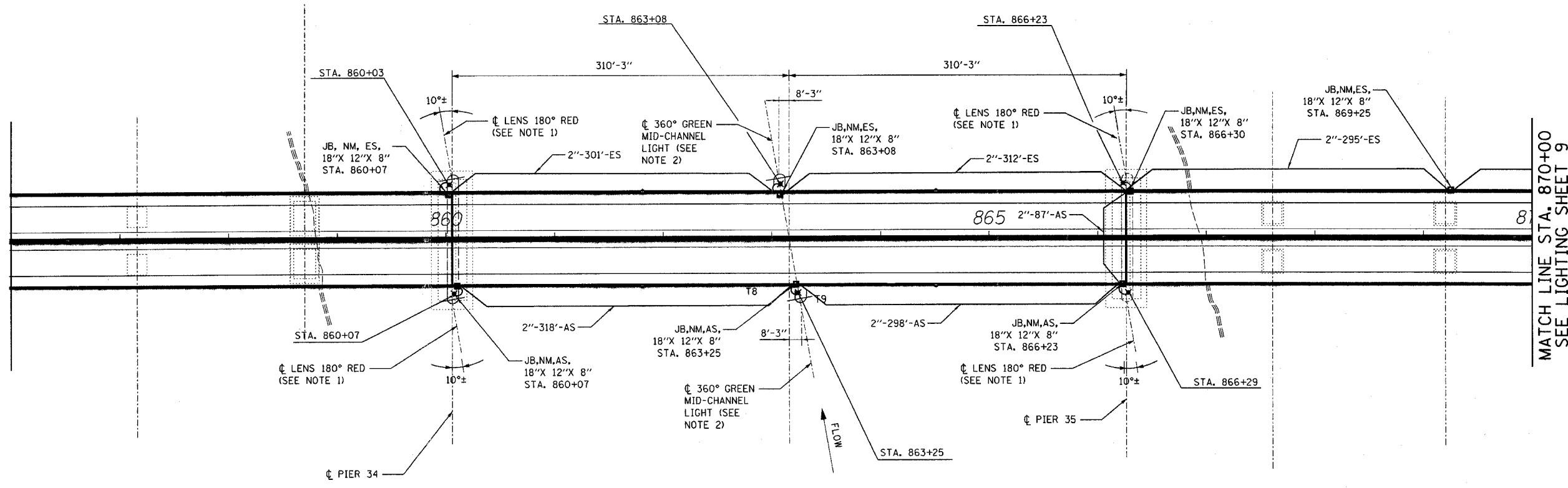


F.A. RTE.	SECTION	COUNTY	TOTAL SHEETS	SHEET NO.
39	50-4B	LASALLE		344
STA.		TO STA.		
FED. ROAD DIST. NO.		ILLINOIS FED. AID PROJECT		



NOTES:

1. REMOVE AND REPLACE EXISTING 180° RED LENS WITH 180° RED L.E.D. LENS.
2. REMOVE EXISTING JUNCTION BOXES, CONDUIT, CABLE AND MID-CHANNEL LIGHT (INCLUDING HOIST). REPLACE EQUIPMENT AS SHOWN ON LIGHTING SHEET 19 OF 22.
3. FOR TEMPORARY NAVIGATIONAL LIGHTING, SEE SHEET 18 OF 22.
4. INSTALL A 2.0 KVA 480:120V STEPDOWN TRANSFORMER AT STA. 866+30 FOR NAVIGATION LIGHTING.

LIGHTING SHEET 8 OF 22

REVISIONS	
NAME	DATE

ILLINOIS DEPARTMENT OF TRANSPORTATION
ABRAHAM LINCOLN MEMORIAL BRIDGE
 OVER THE ILLINOIS RIVER
 F.A.J. ROUTE 39
 PROPOSED NAVIGATION LIGHTING PLAN
 STA. 853+00 TO STA. 866+00

SCALE: 1" = 50'
 DATE

DRAWN BY DJK
 CHECKED BY GHT

PLOT DATE = 10/17/2006
 FILE NAME = x:\3800s\3856\electrical\lighting\plans\3856L1NovPlan01.dgn
 PLOT SCALE = 1/4" = 100'
 TIME = 3:04:42 PM