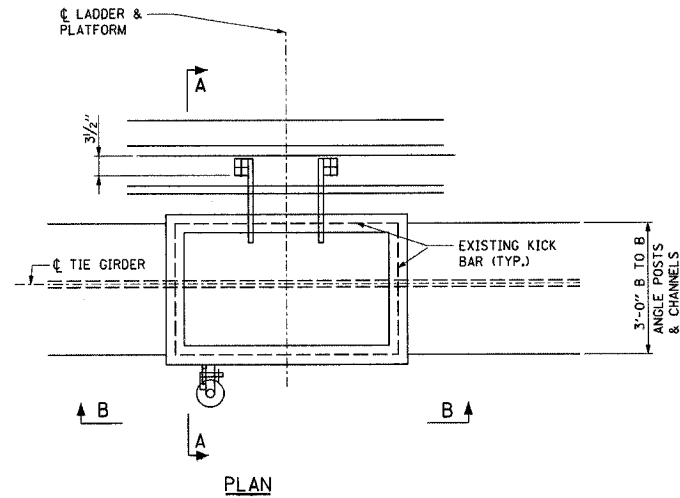
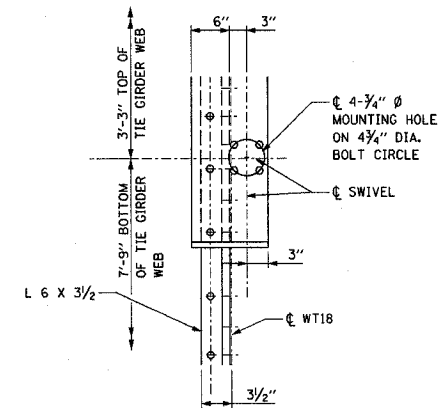


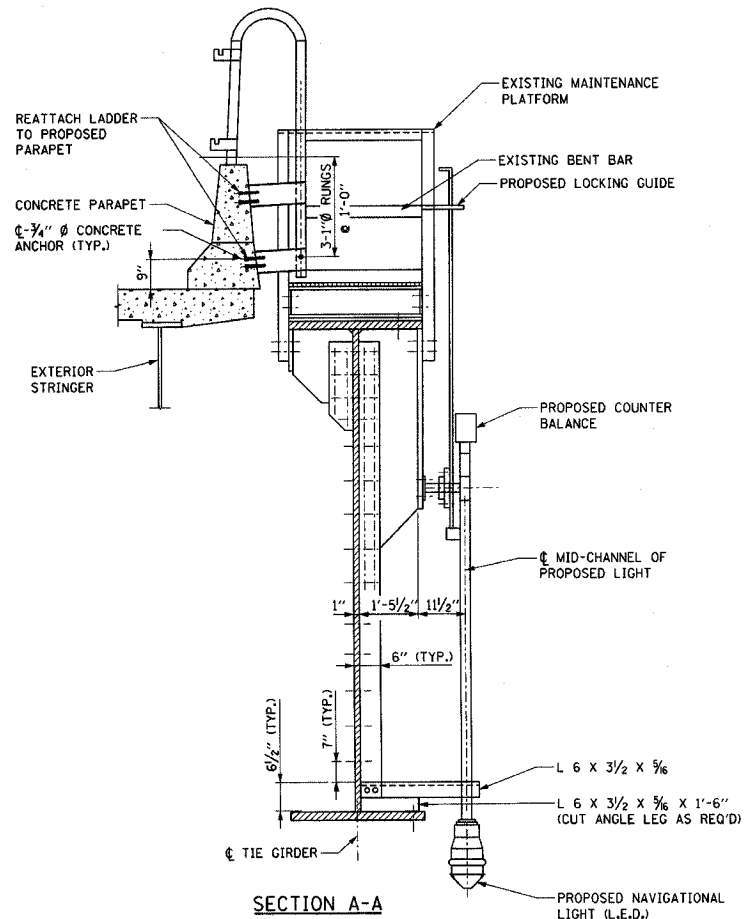
LOCKING GUIDE DETAIL



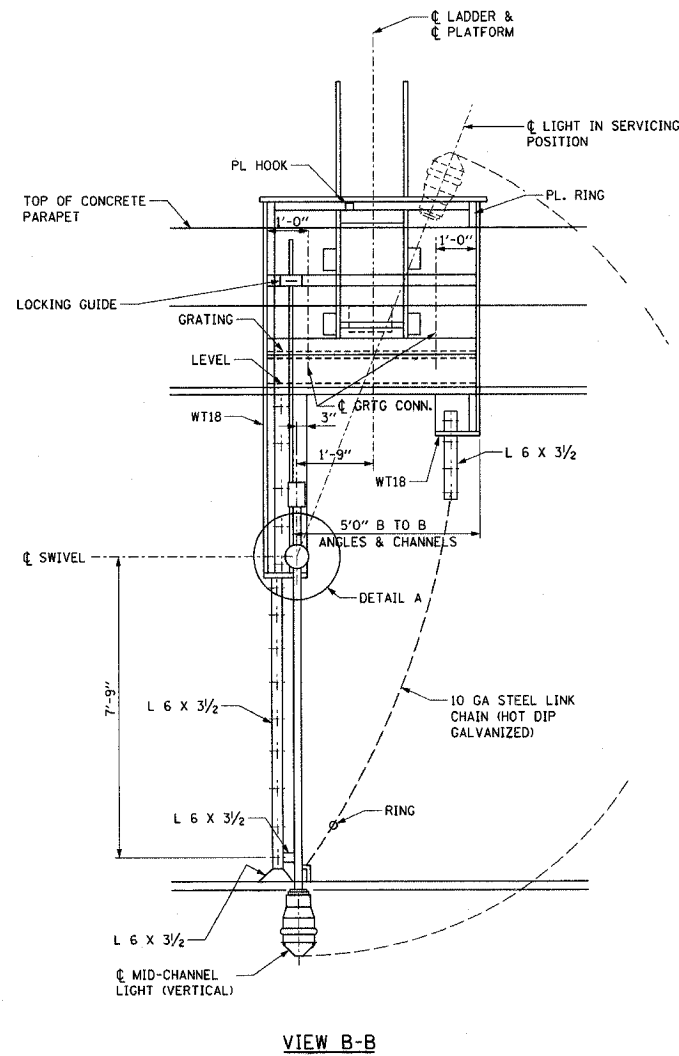
PLAN



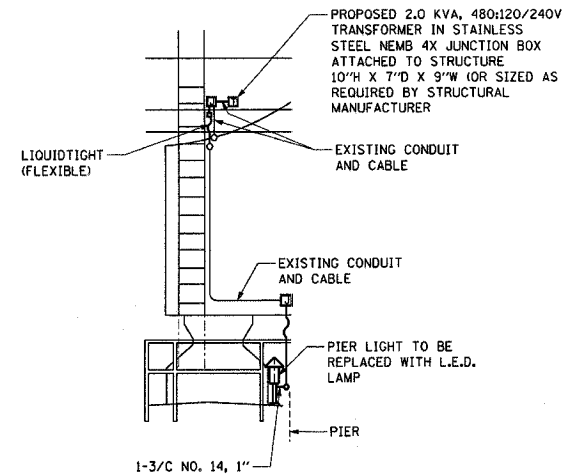
DETAIL A  
 PROPOSED SWIVEL DETAIL



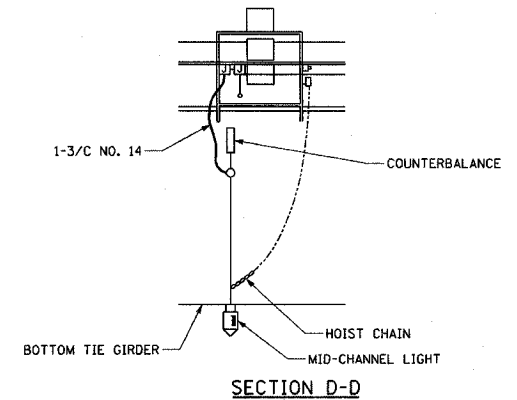
SECTION A-A



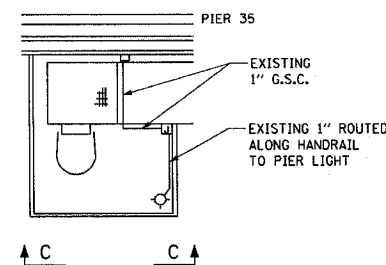
VIEW B-B



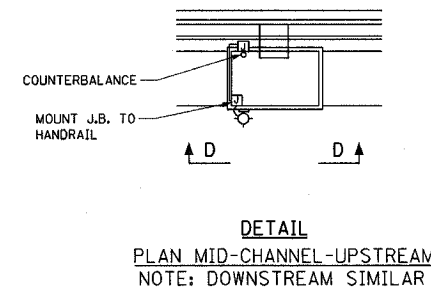
ELEVATION VIEW PIER NO. 35  
 DOWNSTREAM-SECTION C-C  
 NOTE: PIER #35 UPSTREAM & PIER #34  
 UPSTREAM & DOWNSTREAM, SIMILAR



SECTION D-D



DETAIL  
 PLAN PIER #35 DOWNSTREAM  
 NOTE: PIER #35 UPSTREAM & PIER #34  
 UPSTREAM & DOWNSTREAM, SIMILAR



DETAIL  
 PLAN MID-CHANNEL-UPSTREAM  
 NOTE: DOWNSTREAM SIMILAR

REVISIONS	
NAME	DATE

ILLINOIS DEPARTMENT OF TRANSPORTATION  
 ABRAHAM LINCOLN MEMORIAL BRIDGE  
 OVER THE ILLINOIS RIVER  
 F.A.I. ROUTE 39  
 NAVIGATION LIGHTING  
 DETAILS

SCALE: NONE  
 DATE

DRAWN BY DJK  
 CHECKED BY GHT

PLOT DATE = 10/17/2005  
 FILE NAME = \\s30009\3856\electrical\lighting\plans\3856L1.dwg  
 PLOT SCALE = 1/8" = 1'-0"  
 PLOT SCALE = 1/8" = 1'-0"  
 TIME = 3:03:16 PM