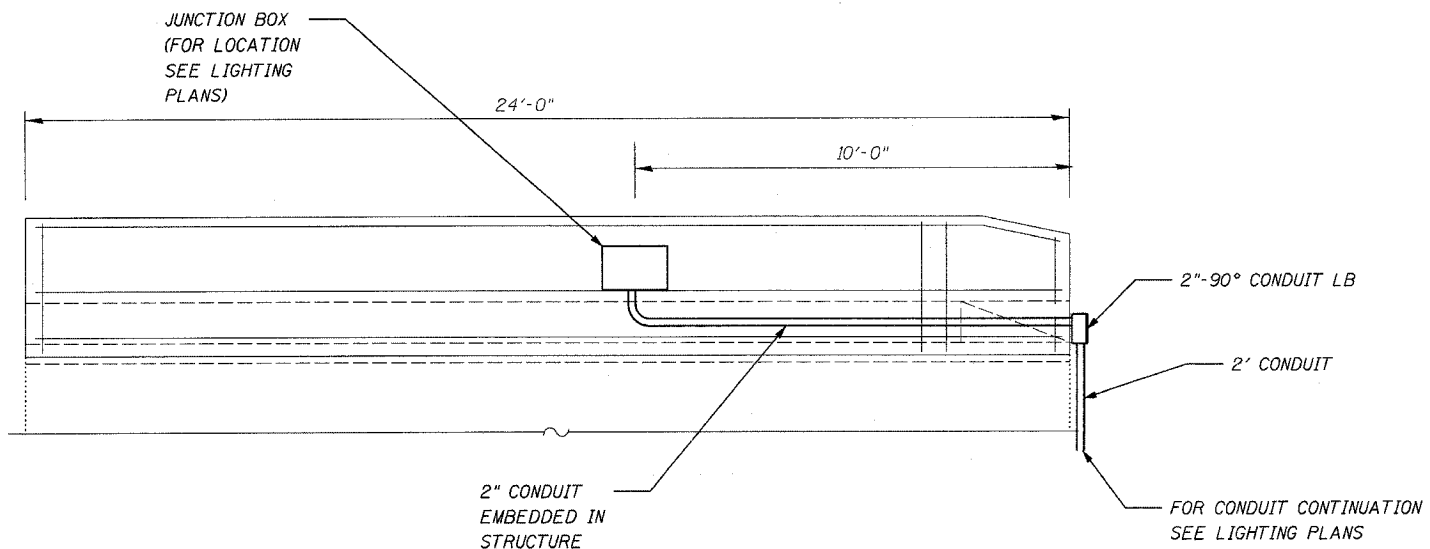
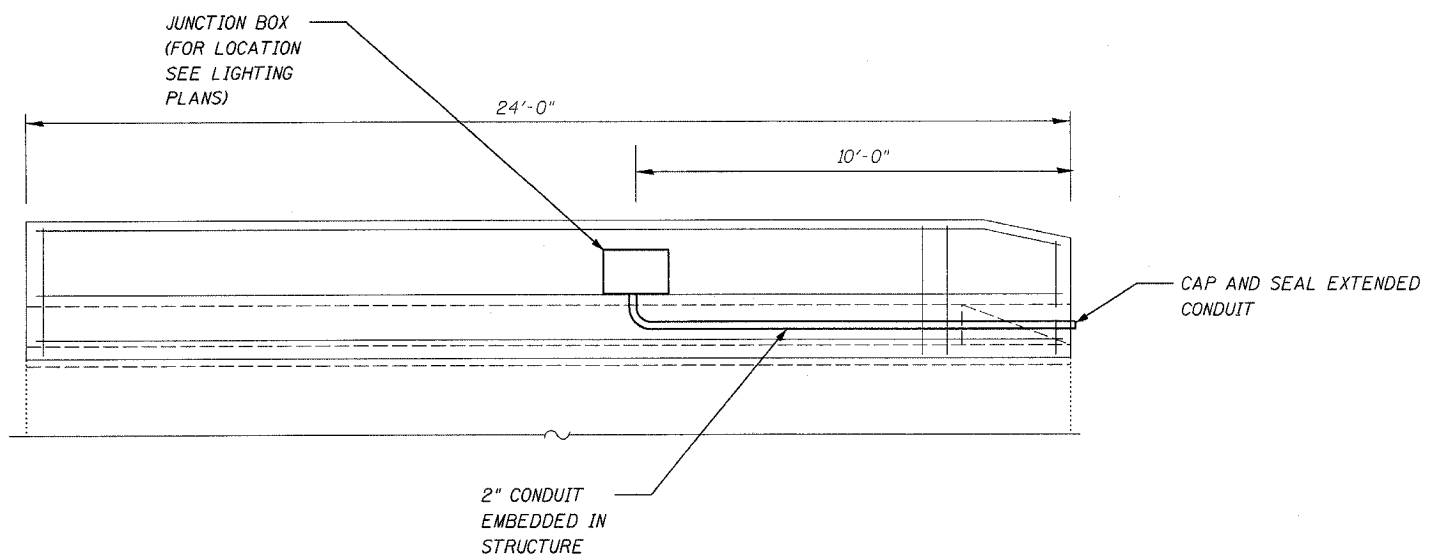


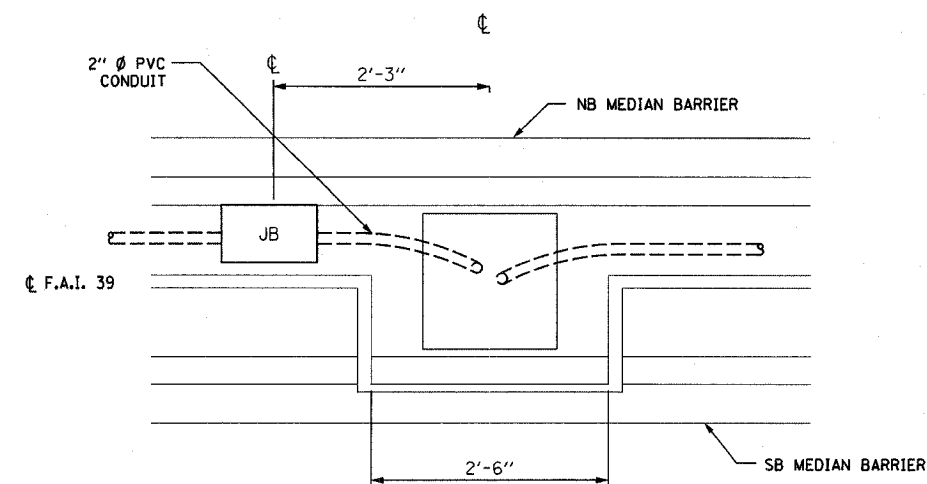
F.A. RTE.	SECTION	COUNTY	TOTAL SHEET NO.
39	50-4B	LASALLE	358
STA.		TO STA.	
FED. ROAD DIST. NO.		ILLINOIS FED. AID PROJECT	



**WINGWALL**  
(CONDUIT CONTINUING IN TRENCH)



**WINGWALL**  
(CAP AND SEAL)



**NORTHBOUND TO SOUTHBOUND TRANSITION**  
**PLAN VIEW**

REVISIONS	
NAME	DATE

ILLINOIS DEPARTMENT OF TRANSPORTATION  
ABRAHAM LINCOLN MEMORIAL BRIDGE  
OVER THE ILLINOIS RIVER  
F.A.I. ROUTE 39  
WINGWALL EXIT DETAIL

SCALE: NONE  
DATE  
DRAWN BY DJK  
CHECKED BY GHT

PLOT DATE = 10/17/2006  
FILE NAME = x:\38008\3856\electrical\lighting\plans\3856LT.dwg  
PLOT SCALE = \$SCALE\$  
TIME = 3:03:05 PM