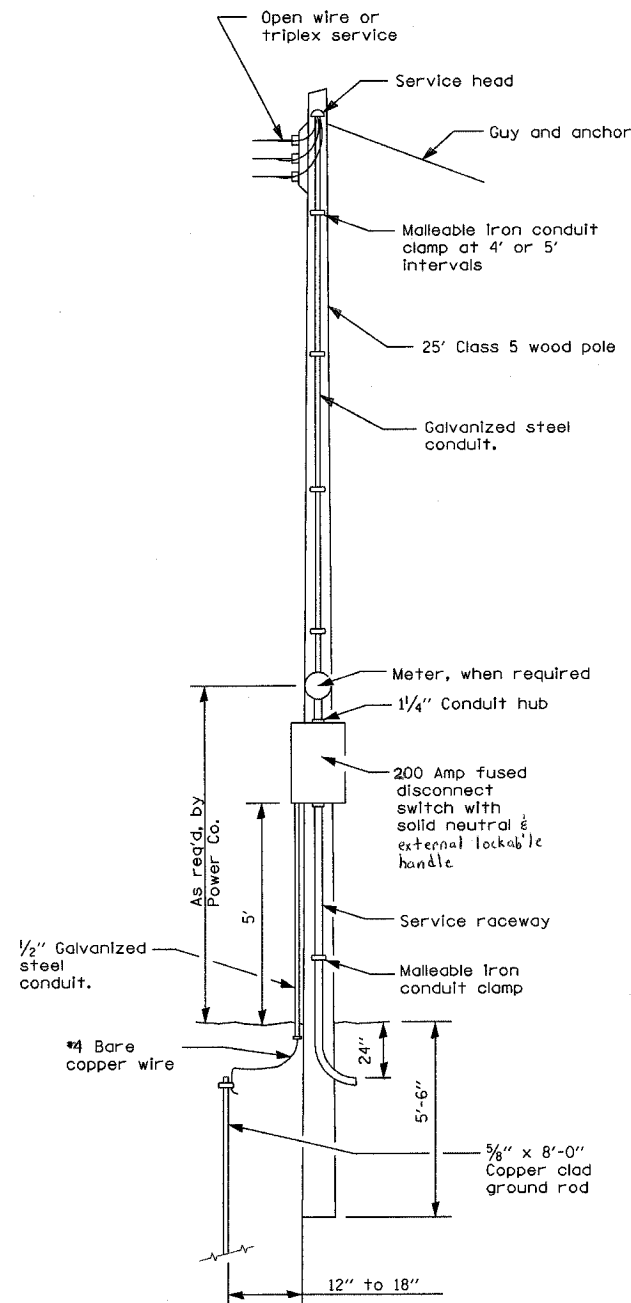
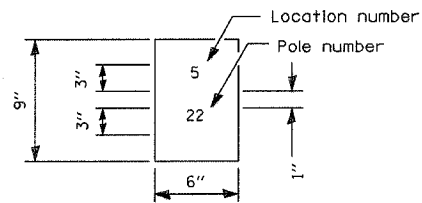


F.A. RTE.	SECTION	COUNTY	TOTAL SHEETS	SHEET NO.
39	50-4B	LASALLE		358A
STA.		TO STA.		
FED. ROAD DIST. NO.		ILLINOIS FED. AID PROJECT		



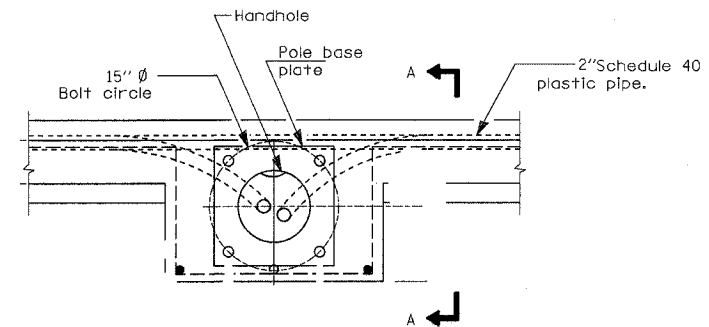
SERVICE POLE



The contractor shall furnish and install a light pole identification of each new light pole, as shown above, incidental to the respective light pole pay item. The numerals shall be 3" series "D", black, screened on silver-white type B pressure sensitive reflective sheeting conforming to the requirements of section 1602.01 of the Standard Specifications for Traffic Control Items. The numerals shall conform to the FHWA "Standard Alphabets for Highway Signs".

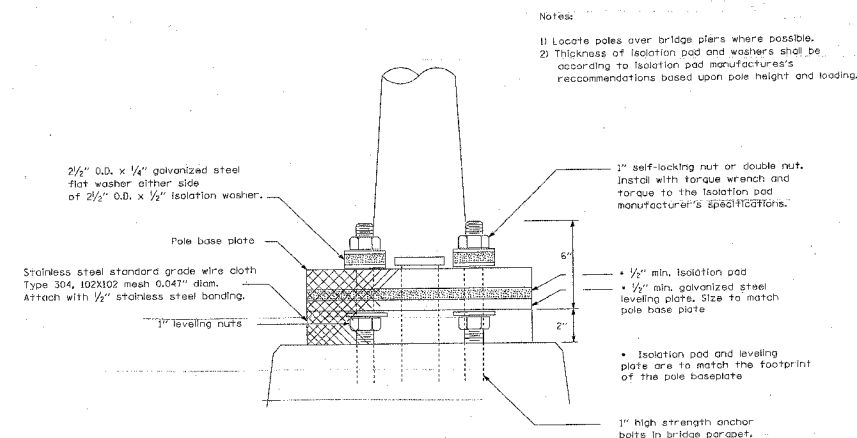
The light pole identification shall be applied to sign base material as specified in section 1085.05 of the Standard Specifications, approximately 7' above the adjacent pavement grade visible to approaching traffic in accordance with Highway Standard 2319.

2 Plates per pole for median mounted poles



PLAN

Pole Mounted on Bridge Parapet Detail



SECTION A-A

REVISIONS	
NAME	DATE

ILLINOIS DEPARTMENT OF TRANSPORTATION
 ABRAHAM LINCOLN MEMORIAL BRIDGE
 OVER THE ILLINOIS RIVER
 F.A.I. ROUTE 39
 CONTROL INSTALLATION
 DUAL

SCALE: NONE
 DATE

DRAWN BY DJK
 CHECKED BY GHT