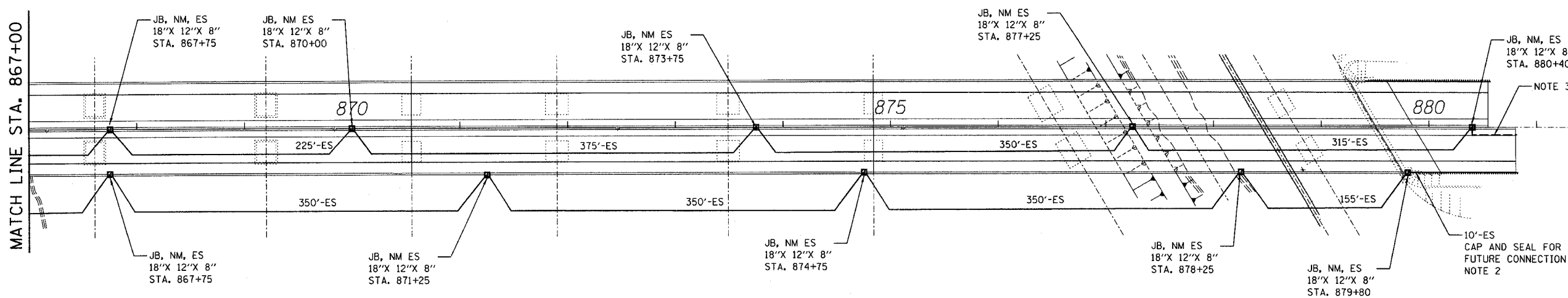


F.A. RTE.	SECTION	COUNTY	TOTAL SHEETS	SHEET NO.
39	50-4B	LASALLE		363
STA.		TO STA.		
FED. ROAD DIST. NO.	ILLINOIS	FED. AID PROJECT		



NOTES:

1. FOR GENERAL AND CONSTRUCTION NOTES, LEGEND AND ABBREVIATIONS, SEE LIGHTING SHEET 1 OF 22.
2. FOR WINGWALL EXIT DETAIL, SEE LIGHTING SEE LIGHTING SHEET 22 OF 22.
3. CONTRACTOR SHALL STUB 2" CONDUIT INTO THE NORTHBOUND SHOULDER IN STAGE 1. SEE VIDEO CAMERA DETAIL SHEET FOR ADDITIONAL WORK.
4. JUNCTION BOX AT STA. 870+00 TO FEED CAMERA MOUNTED TO LIGHT POLE AT STA. 869+84. FOR ADDITIONAL WORK, SEE VIDEO CAMERA DETAIL SHEET.

ITS SHEET 5 OF 5

REVISIONS	
NAME	DATE

ILLINOIS DEPARTMENT OF TRANSPORTATION
 ABRAHAM LINCOLN MEMORIAL BRIDGE
 OVER THE ILLINOIS RIVER
 F.A.I. ROUTE 39
 PROPOSED ITS PLAN
 STA. 866+00 TO STA. 881+00

SCALE: 1" = 50'
 DATE

DRAWN BY DJK
 CHECKED BY GHT