

STATE OF ILLINOIS
DEPARTMENT OF TRANSPORTATION

ROUTE NO.	SECTION	COUNTY	TOTAL SHEETS	SHEET NO.	SHEET NO. 4 OF 10 SHEETS
F.A.S. 1279	(P-10)BR	LaSALLE	34	13	
FED. ROAD DIST. NO. 7		ILLINOIS	FED. AID PROJECT		

Contract #66661

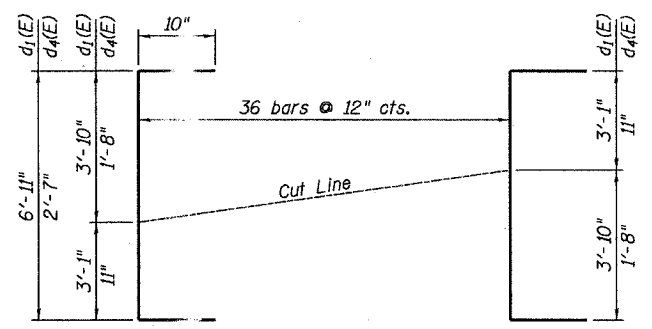
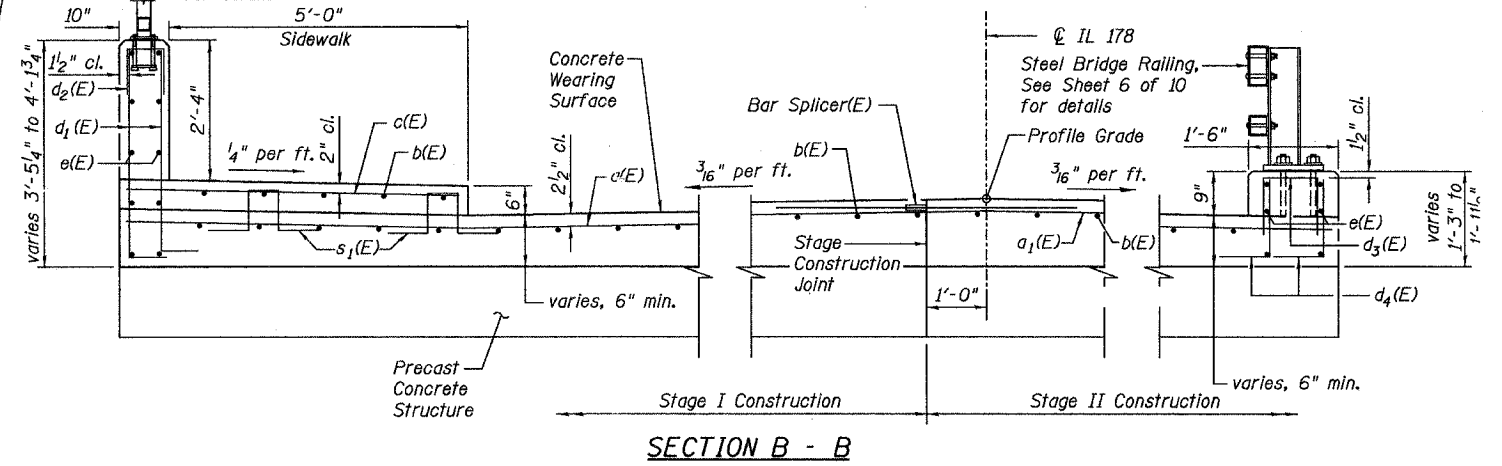
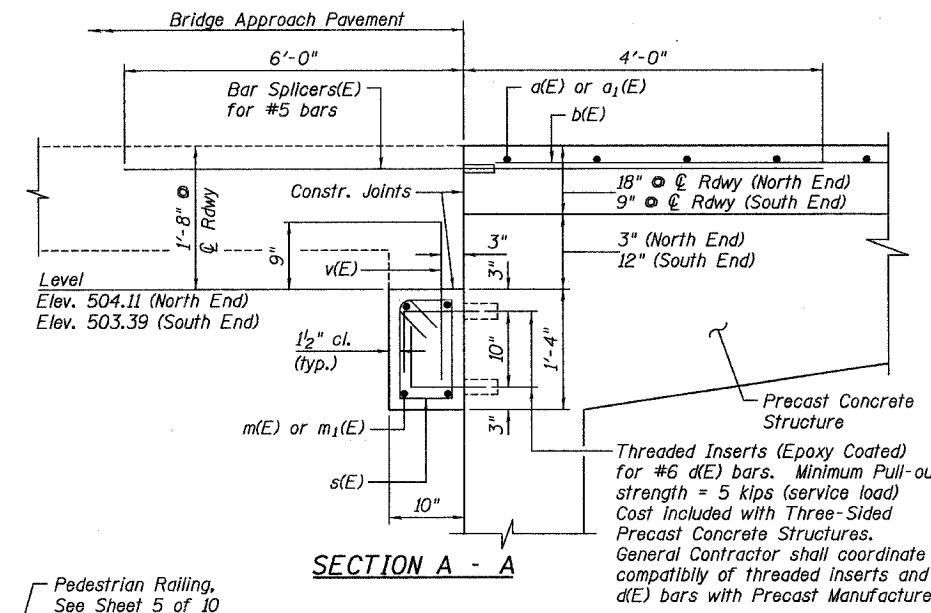
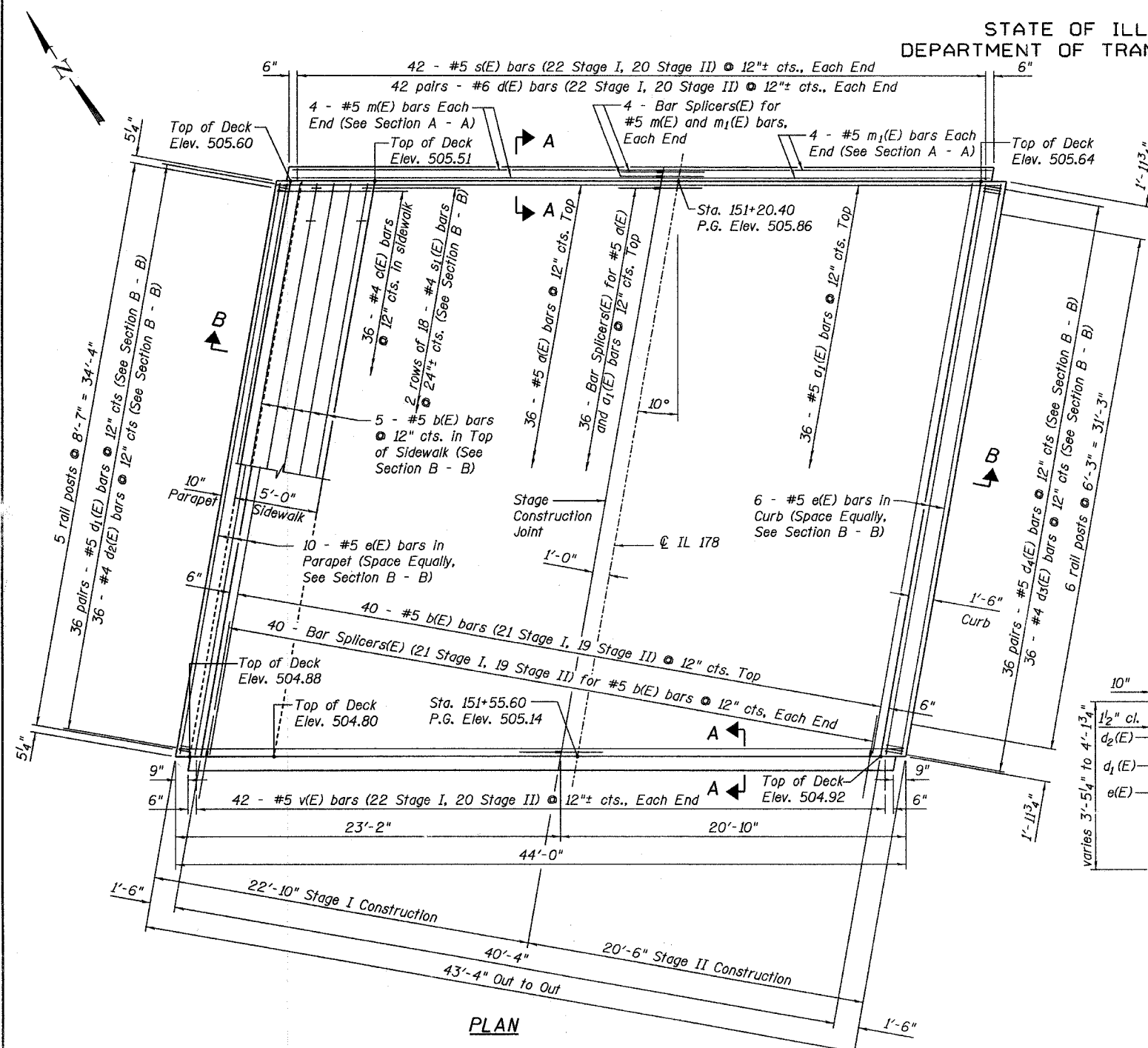
NOTES

Curb, parapet, and approach pavement supports are included in the quantity for Concrete Superstructure.

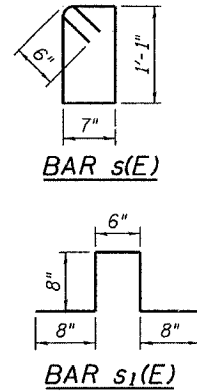
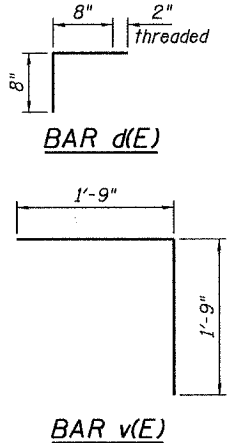
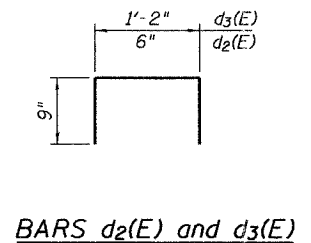
Reinforcement bars designated (E) shall be epoxy coated.

BILL OF MATERIAL

Bar	No.	Size	Length	Shape
a(E)	36	#5	22'-11"	—
a ₁ (E)	36	#5	20'-7"	—
b(E)	45	#5	34'-10"	—
c(E)	36	#4	5'-6"	—
d(E)	168	#6	1'-6"	—
d ₁ (E)	36	#5	8'-7"	—
d ₂ (E)	36	#5	2'-0"	—
d ₃ (E)	36	#5	2'-8"	—
d ₄ (E)	36	#5	4'-3"	—
e(E)	16	#5	34'-10"	—
m(E)	8	#5	22'-2"	—
m ₁ (E)	8	#5	19'-10"	—
s(E)	84	#5	4'-4"	—
s ₁ (E)	36	#4	3'-2"	—
v(E)	84	#5	3'-6"	—
Reinforcement Bars, Epoxy Coated		Lbs.	6070	
Concrete Superstructure		Cu. Yd.	11.2	
Concrete Wearing Surface		Cu. Yd.	58.2	



BARS d₁(E) and d₄(E)
Field Cutting Diagram



DESIGNED	DAF
CHECKED	AAG
DRAWN	DAF
CHECKED	KBG

Order d₁(E) and d₄(E) bars full length. Cut as shown and use other end of bars in other face of curb or parapet.

SUPERSTRUCTURE DETAILS
F.A.S. 1279 - ILLINOIS RTE. 178
OVER CLARK RUN
SECTION (P-10)BR
LaSALLE COUNTY
STATION 151+38.00
STRUCTURE NO. 050-0238