

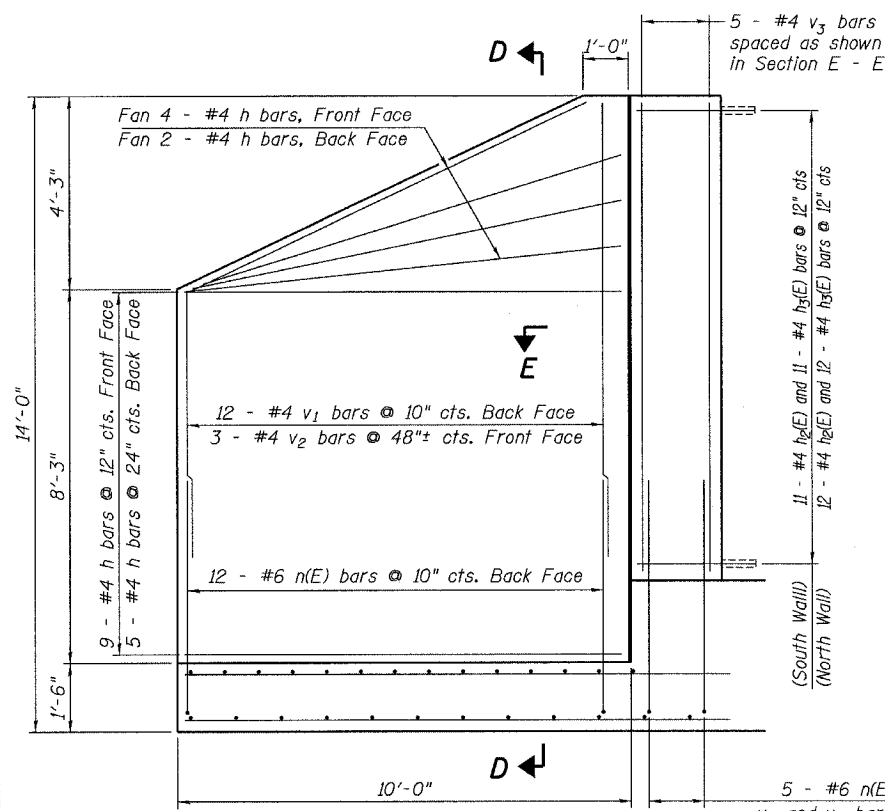
STATE OF ILLINOIS  
DEPARTMENT OF TRANSPORTATION

NOTES

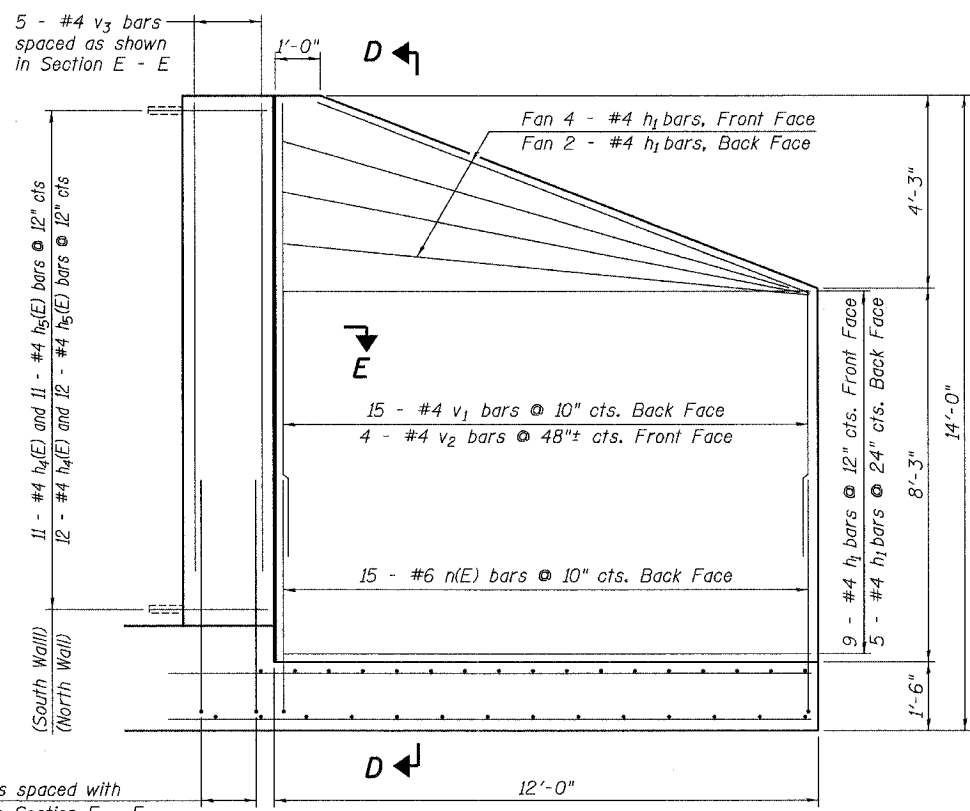
Reinforcement bars designated (E) shall be epoxy coated.  
Bill of Material is total for North and South footings and wingwalls.

ROUTE NO. F.A.S. 1279	SECTION (P-10)BR	COUNTY LaSALLE	SPRIN 34	SHEET 17	SHEET NO. 8 OF 10 SHEETS
FED. ROAD DIST. NO. 7		ILLINOIS		FED. AID PROJECT-	

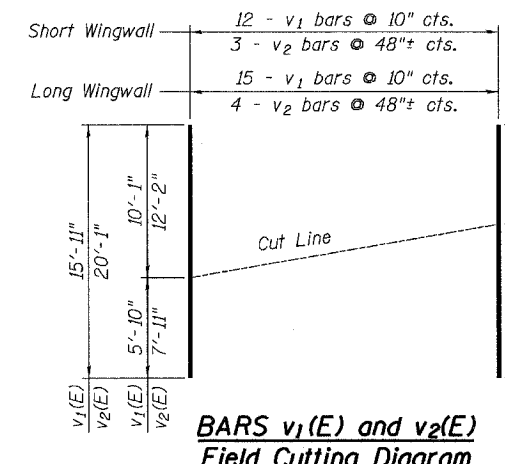
Contract #66661



SHORT WINGWALL ELEVATION

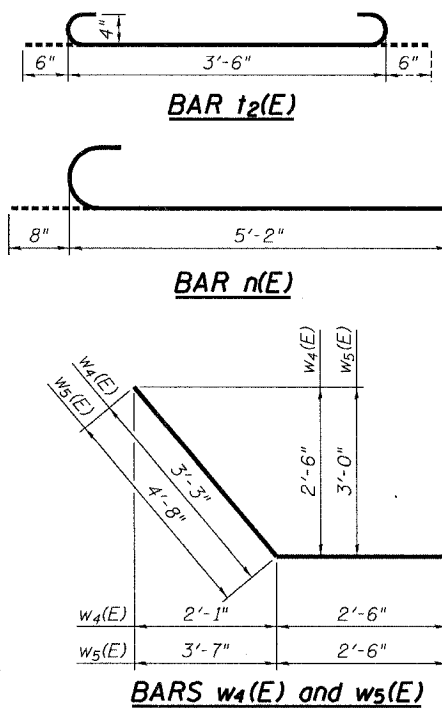


LONG WINGWALL ELEVATION

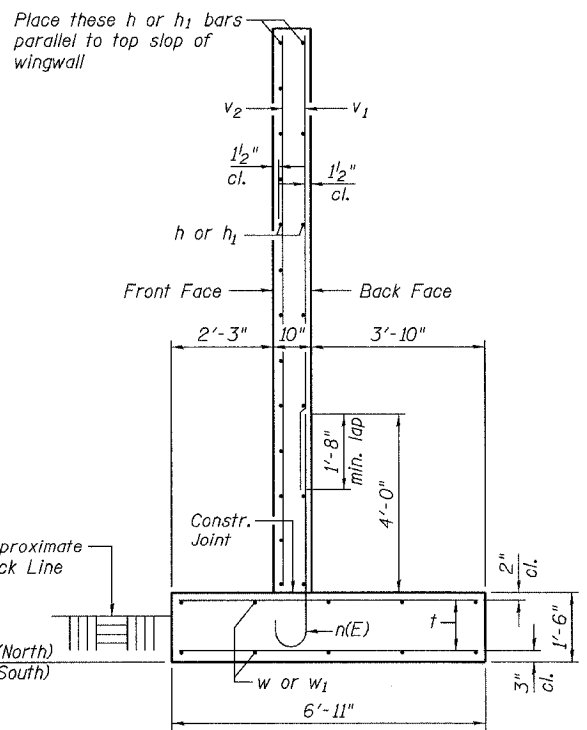


BARS v1(E) and v2(E)  
Field Cutting Diagram

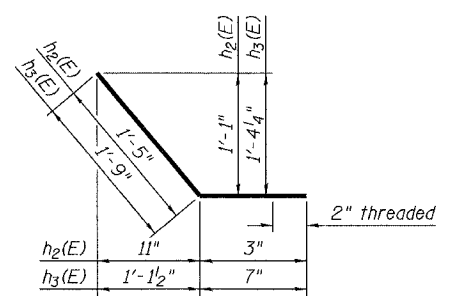
Order v1(E) and v2(E) bars full length. Cut as shown and use remainder of bars in opposite wingwall.



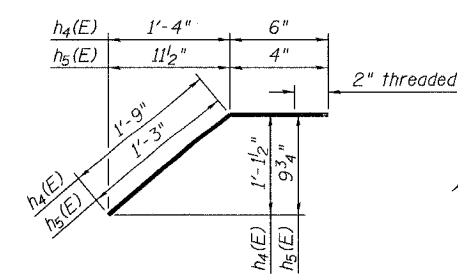
BARS w4(E) and w5(E)



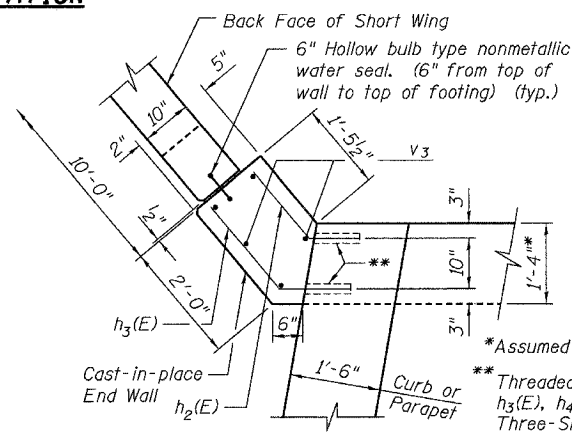
SECTION D - D



BARS h2(E) and h3(E)



BARS h4(E) and h5(E)



SECTION E - E

BILL OF MATERIAL

Bar	No.	Size	Length	Shape
h	40	#4	9'-8"	—
h1	40	#4	11'-8"	—
h2(E)	23	#4	1'-8"	—
h3(E)	23	#4	2'-4"	—
h4(E)	23	#4	2'-3"	—
h5(E)	23	#4	1'-7"	—
n(E)	74	#6	5'-10"	—
t	120	#4	6'-7"	—
t1	122	#4	3'-8"	—
t2	122	#4	4'-6"	—
v1	27	#4	15'-11"	—
v2	7	#4	20'-1"	—
v3	20	#4	10'-4"	—
w	20	#5	11'-8"	—
w1	20	#5	13'-3"	—
w2	32	#5	13'-9"	—
w3	32	#5	12'-8"	—
w4	16	#5	5'-9"	—
w5	16	#5	7'-2"	—
Reinforcement Bars, Epoxy Coated			Lbs.	700
Reinforcement Bars			Cu. Yds.	3600
Concrete Structures			Cu. Yds.	74.7
Rock Excavation for Structures			Cu. Yds.	26.4

WINGWALL DETAILS

F.A.S. 1279 - ILLINOIS RTE. 178  
OVER CLARK RUN  
SECTION (P-10)BR  
LaSALLE COUNTY  
STATION 151+38.00  
STRUCTURE NO. 050-0238

DESIGNED	DAF
CHECKED	AAG
DRAWN	DAF
CHECKED	KBG