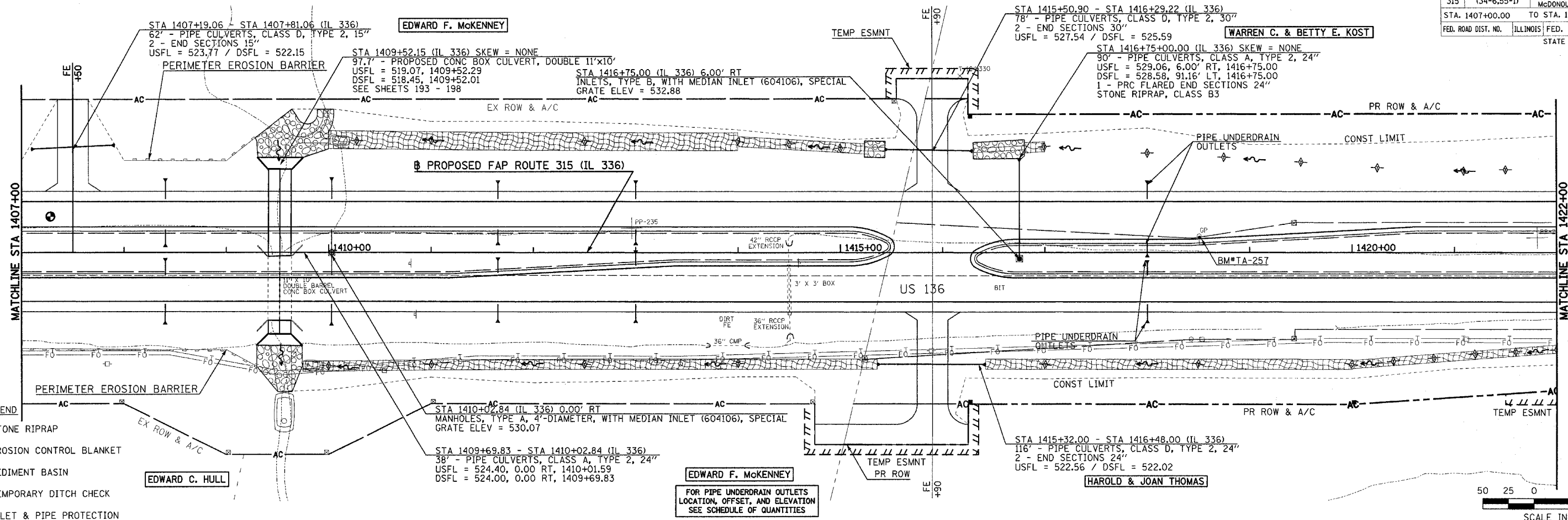


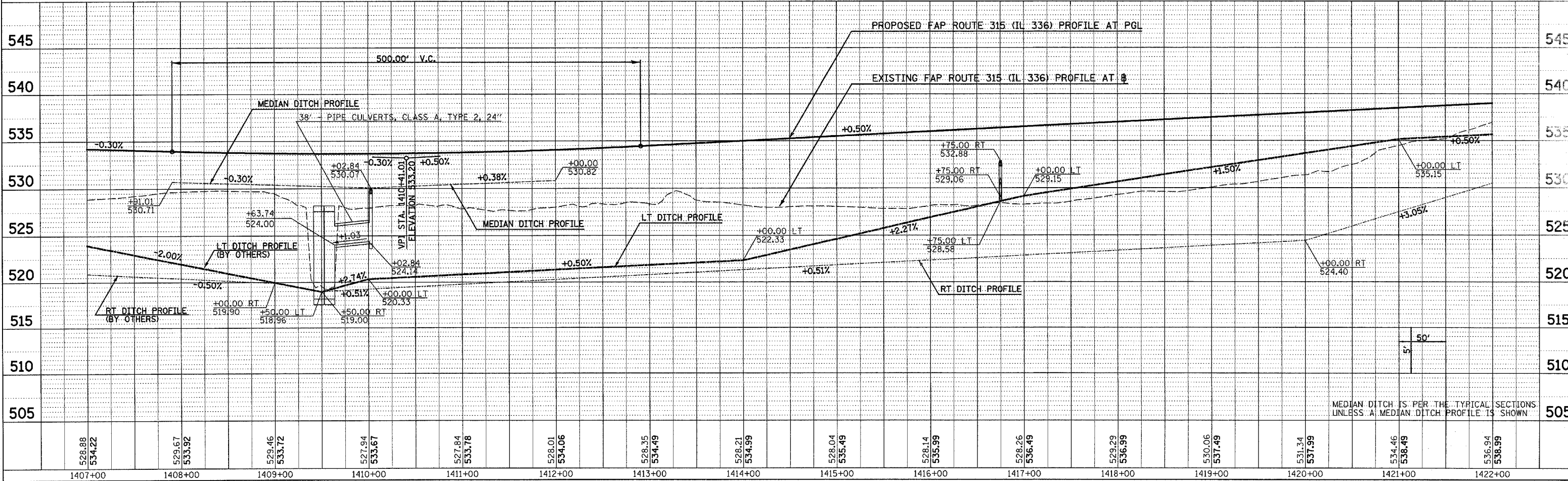
F.A.P. RTE.	SECTION	COUNTY	TOTAL SHEETS	SHEET NO.
315	(34-6,55-1)	HANCOCK/MCDONOUGH	433	115
STA. 1407+00.00 TO STA. 1422+00.00		ILLINOIS FED. AID PROJECT		
FED. ROAD DIST. NO.		STATE CONTRACT NO. 68206		

PLAN	SURVEYED	DATE
NOTE BOOK	ALIGNMENT CHECKED	
NO.	GRADES CHECKED	
	BY	
	DATE	

PROFILE	SURVEYED	DATE
NOTE BOOK	GRADES CHECKED	
NO.	BY	
	DATE	



- LEGEND**
- STONE RIPRAP
 - EROSION CONTROL BLANKET
 - SEDIMENT BASIN
 - TEMPORARY DITCH CHECK
 - INLET & PIPE PROTECTION



DRAINAGE & UTILITY PLAN & PROFILE - FAP ROUTE 315 (IL 336) - STA 1407+00 TO STA 1422+00

Plot Date: 8/20/2006
 Plot Time: 10:47:07 AM
 Plotted By: schanup
 Pen Tablet: idr.tbl
 Filename: it:\03033\cadd\1\constr\uef\plan\plans\066.dwg