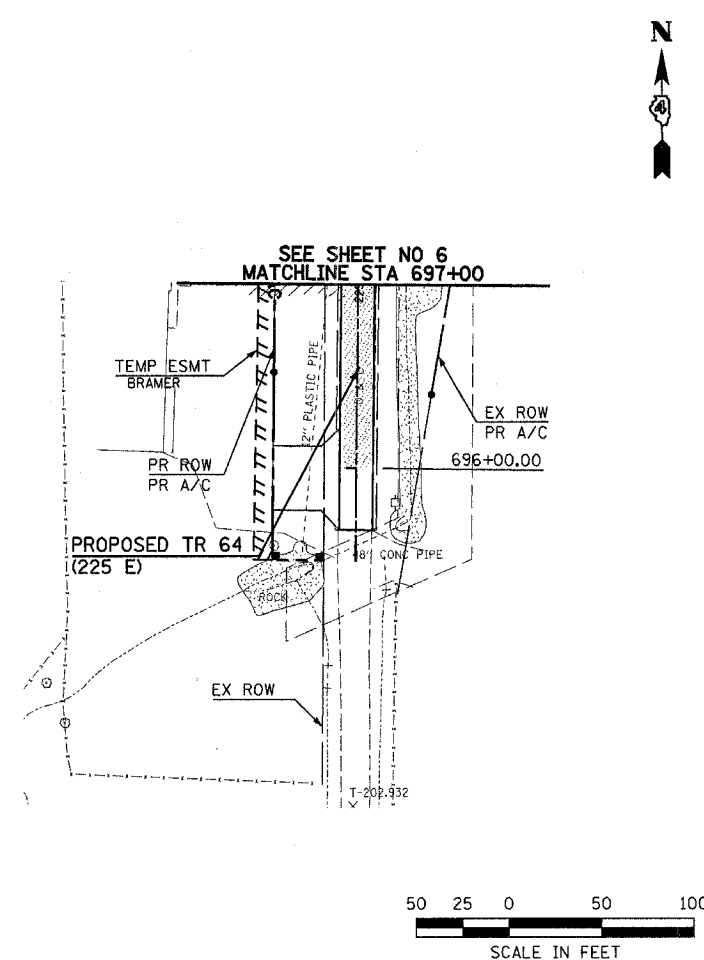
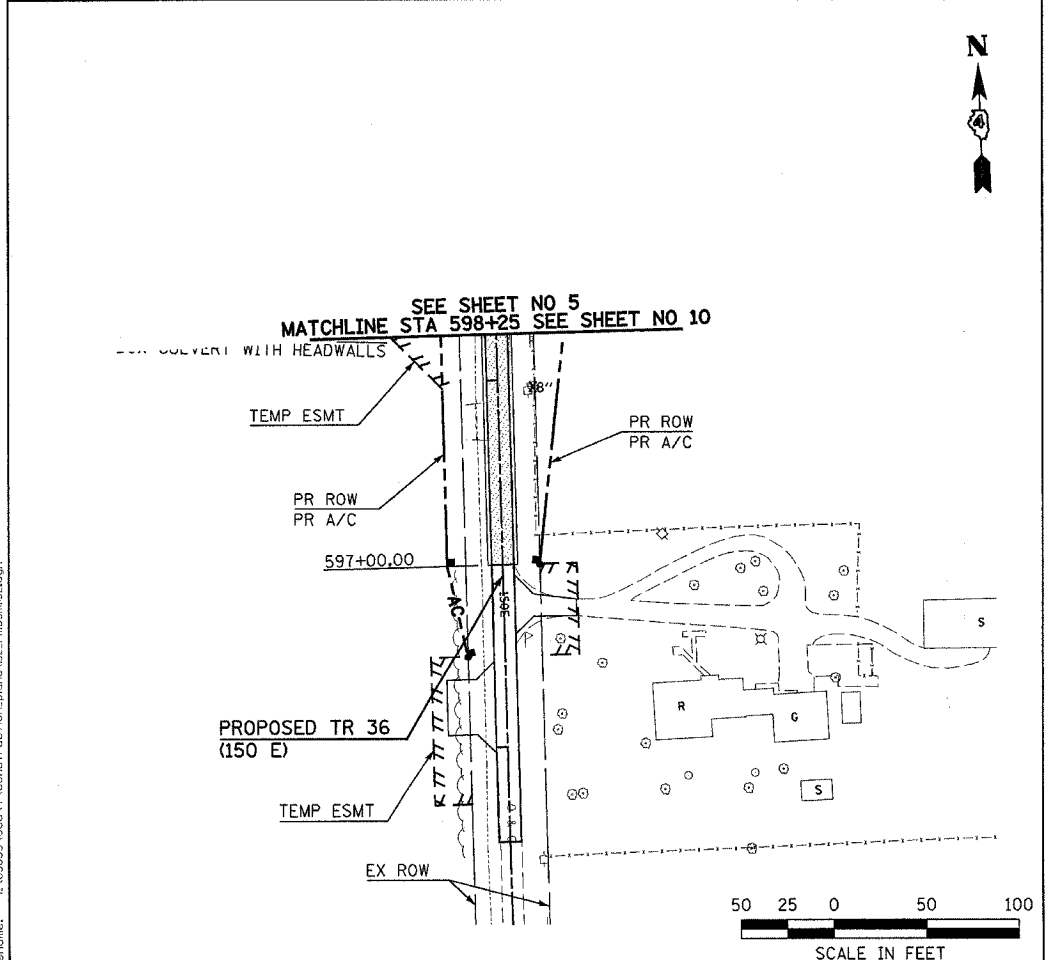
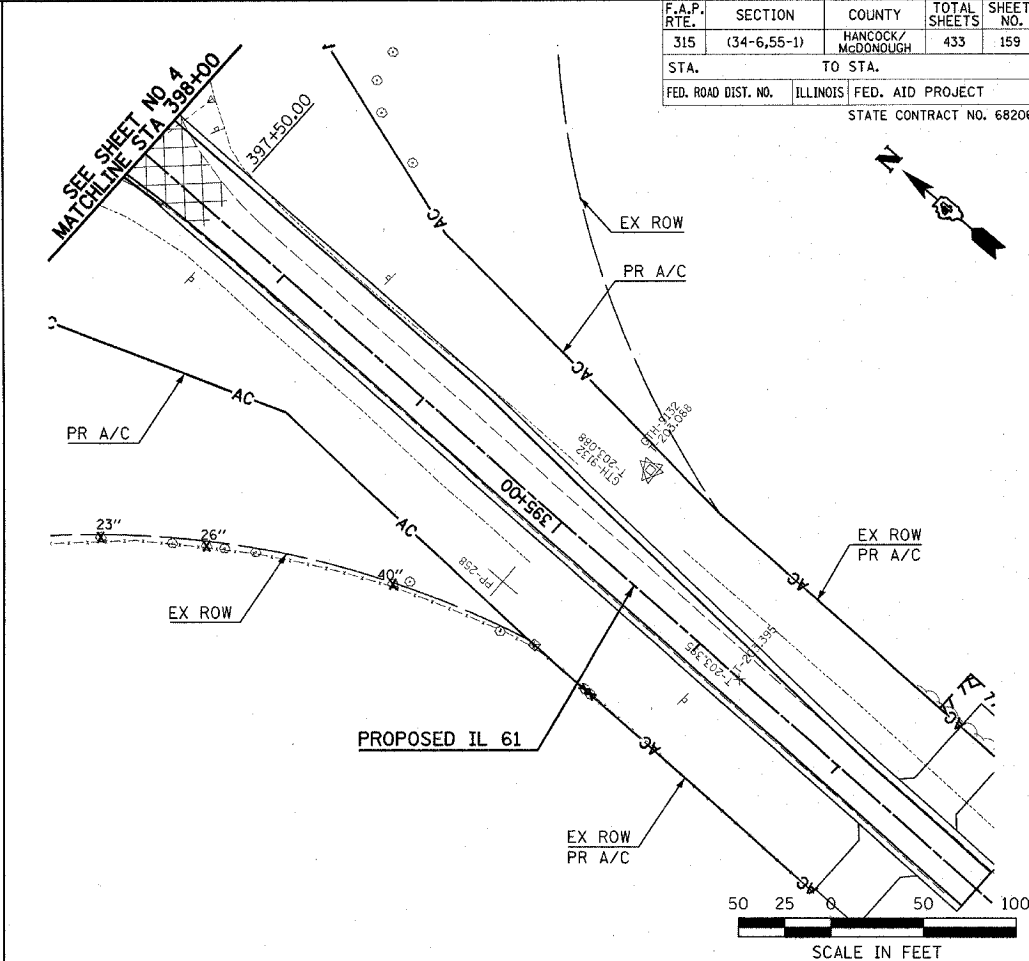
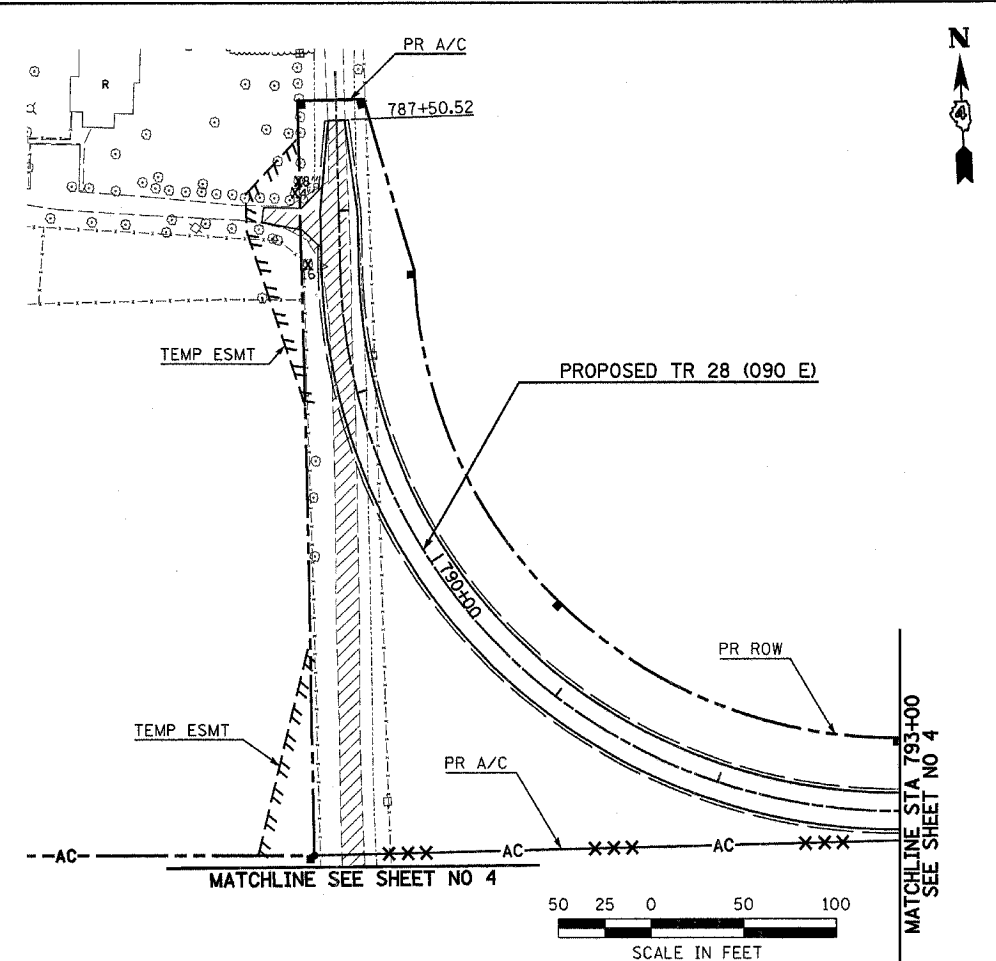
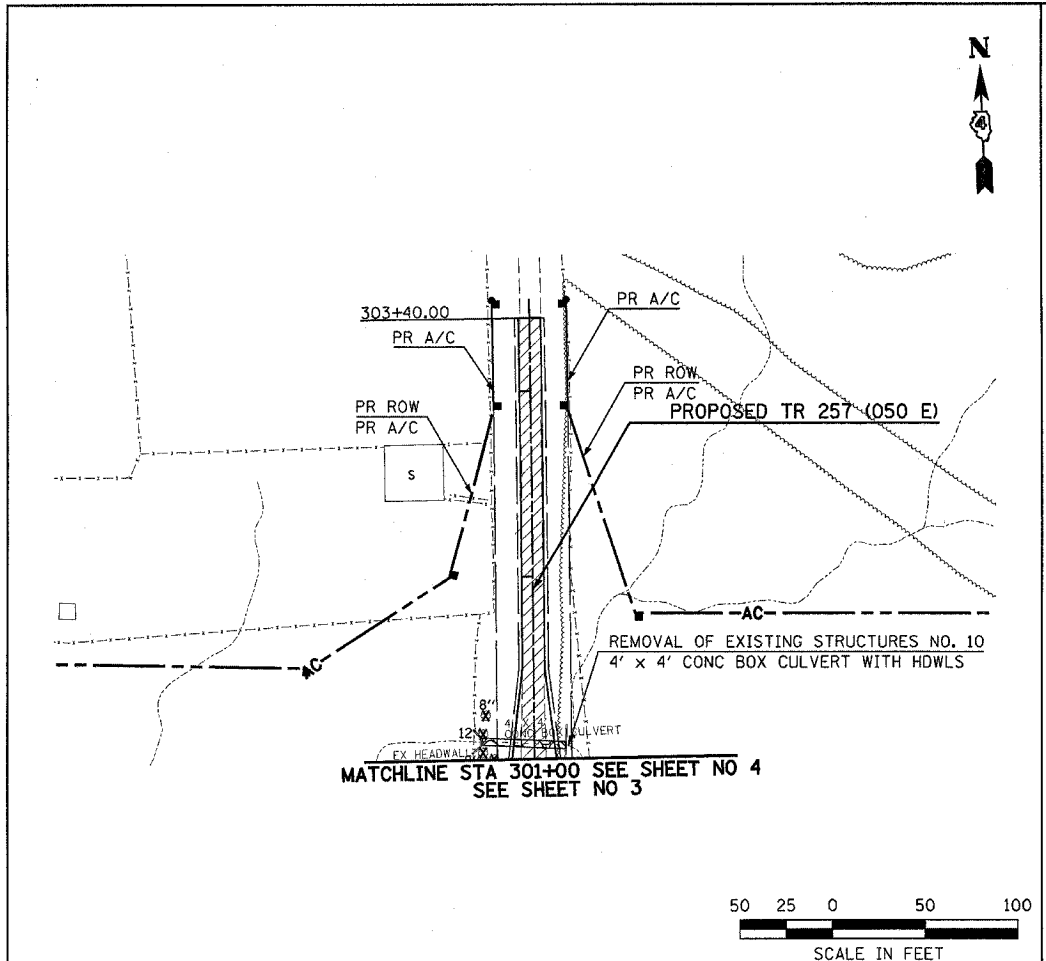
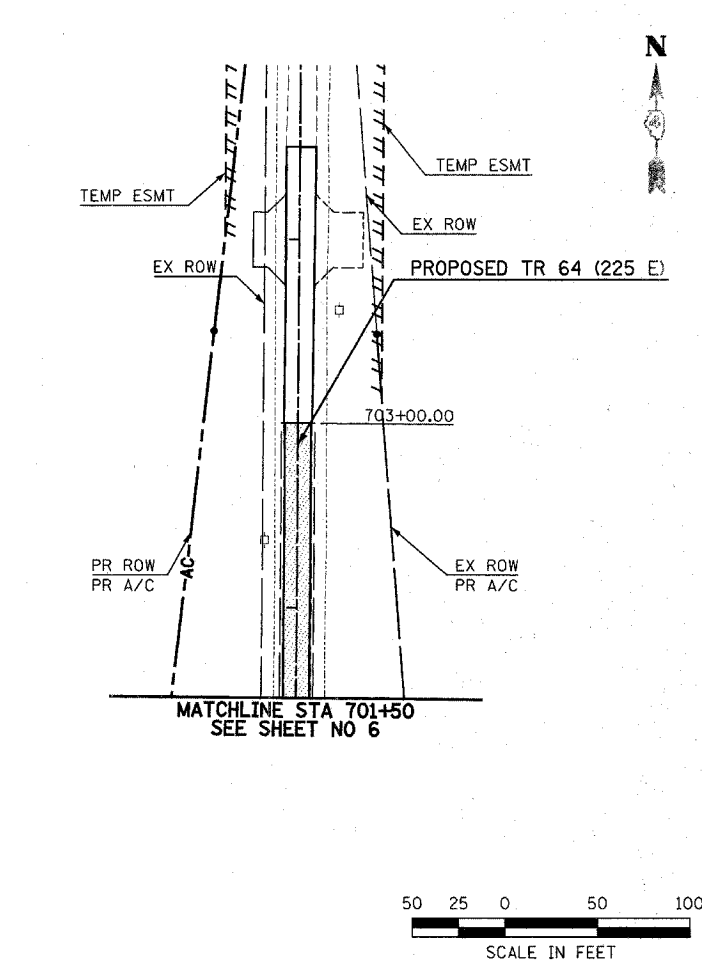


F.A.P. RTE.	SECTION	COUNTY	TOTAL SHEETS	SHEET NO.
315	(34-6,55-1)	HANCOCK/McDONOUGH	433	159
STA.	TO STA.			
FED. ROAD DIST. NO.	ILLINOIS	FED. AID PROJECT		
STATE CONTRACT NO. 68206				



REMOVAL LEGEND

- PAVEMENT REMOVAL
- EXISTING OIL & CHIP PAVEMENT TO BE REMOVED. COST INCIDENTAL TO EARTH EXCAVATION.
- STRUCTURE REMOVAL
- EXISTING GRAVEL PAVEMENT TO BE REMOVED. COST INCIDENTAL TO EARTH EXCAVATION.
- EXISTING ENTRANCE PAVEMENT TO BE REMOVED. COST INCIDENTAL TO EARTH EXCAVATION.
- TREE REMOVAL, ACRES
- BUILDING REMOVAL
- TREE REMOVAL
- GUTTER REMOVAL



Plot Date: 7/18/2006
 Plot Time: 3:47:58 PM
 Plotted By: bscmacth
 Pen Table: ldx+tbl
 File Name: h:\03033\work\construction\plans\52_rmd\8m132.dgn