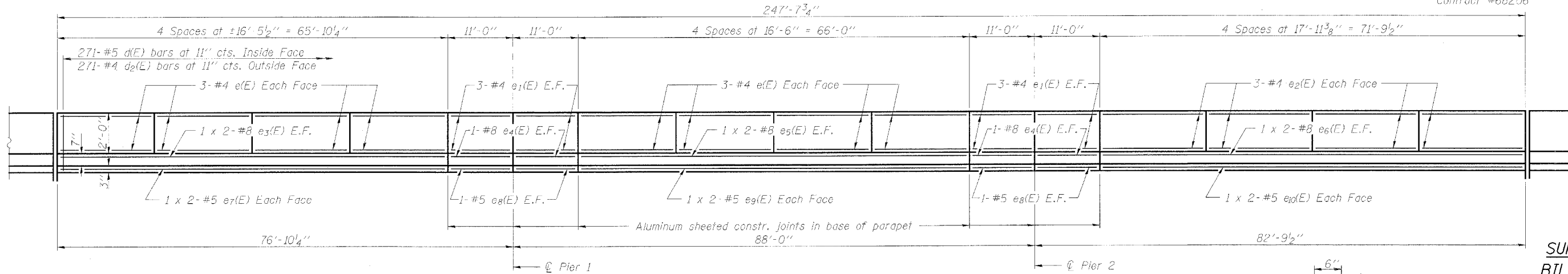
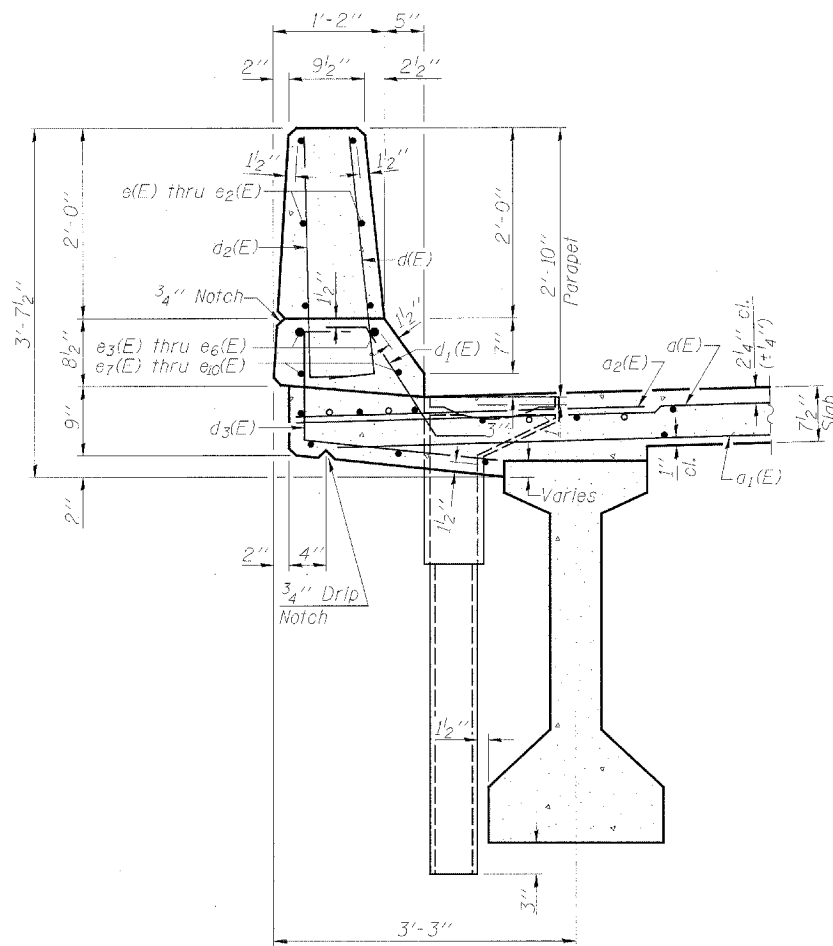


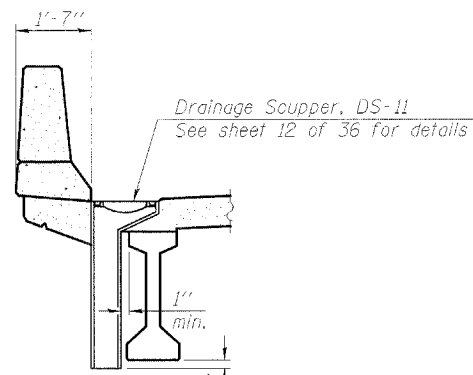
Contract #68206



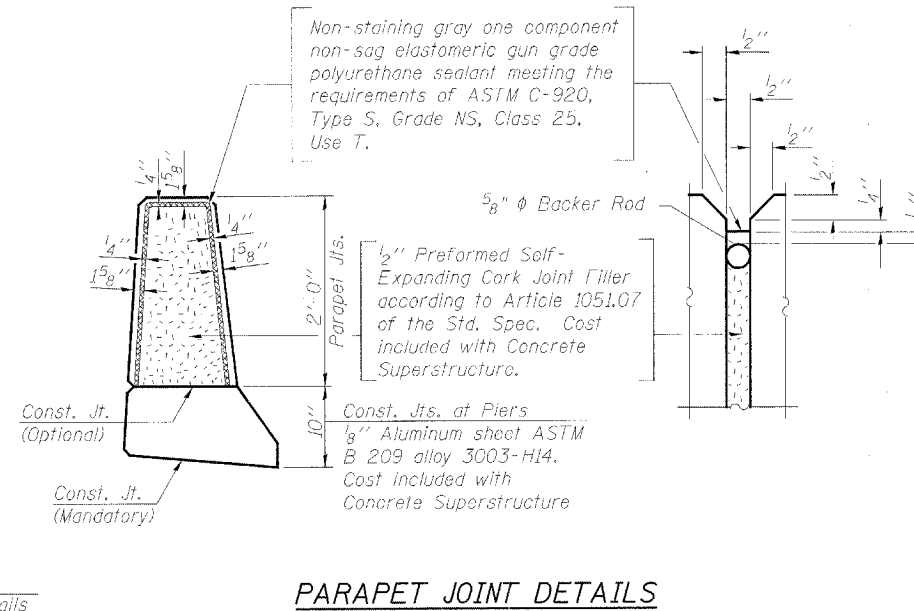
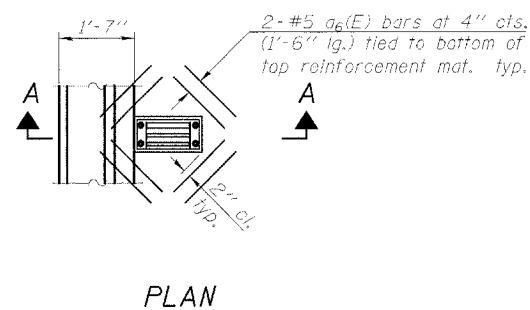
INSIDE ELEVATION OF PARAPET



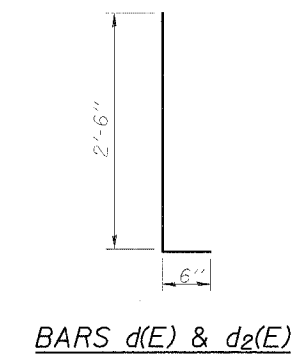
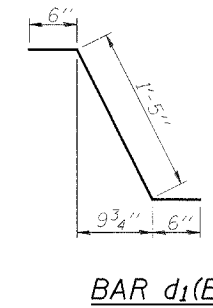
SECTION THRU PARAPET



SECTION A-A



PARAPET JOINT DETAILS



SUPERSTRUCTURE
BILL OF MATERIAL
(ONE STRUCTURE)

Bar	No.	Size	Length	Shape
a(E)	395	#5	42'-7"	—
a ₁ (E)	329	#5	41'-7"	—
a ₂ (E)	780	#6	6'-0"	—
a ₃ (E)	12	#7	53'-4"	—
a ₄ (E)	40	#6	8'-7"	—
a ₅ (E)	2	#6	46'-10"	—
a ₆ (E)	16	#5	1'-6"	—
b(E)	460	#5	27'-9"	—
b ₁ (E)	164	#6	39'-0"	—
b ₂ (E)	396	#5	25'-6"	—
d(E)	542	#5	3'-0"	┌
d ₁ (E)	540	#5	2'-5"	┌
d ₂ (E)	542	#4	3'-0"	┌
d ₃ (E)	540	#4	3'-8"	┌
e(E)	96	#4	16'-2"	—
e ₁ (E)	48	#4	10'-8"	—
e ₂ (E)	48	#4	17'-8"	—
e ₃ (E)	8	#8	36'-2"	—
e ₄ (E)	16	#8	10'-8"	—
e ₅ (E)	8	#8	36'-5"	—
e ₆ (E)	8	#8	39'-2"	—
e ₇ (E)	8	#5	34'-5"	—
e ₈ (E)	16	#5	10'-8"	—
e ₉ (E)	8	#5	34'-6"	—
e ₁₀ (E)	8	#5	37'-5"	—
m(E)	60	#4	8'-7"	—
m ₁ (E)	20	#6	6'-10"	—
m ₂ (E)	12	#8	5'-10"	┌
s(E)	30	#4	12'-9"	┌
s ₁ (E)	30	#4	12'-7"	┌
x(E)	140	#6	8'-6"	┌
Reinforcement Bars, Epoxy Coated		Lbs.	88640	
Concrete Superstructure		Cu. Yds.	367.7	

Reinforcement bars designated (E) shall be epoxy coated.

MIN. BAR LAP
#5 bars = 3'-3"
#8 bars = 6'-9"

SUPERSTRUCTURE DETAILS II
ILLINOIS ROUTE 336 OVER
EAST FORK OF THE LAMOINE RIVER
F.A.P. ROUTE 315 - SECTION 34-6, 55-1
HANCOCK COUNTY; STA. 1432+02.61
STRUCTURE NO. 034-0511 (E.B.)
STRUCTURE NO. 034-0512 (W.B.)

DESIGNED	KLH
CHECKED	FMI
DRAWN	EML
CHECKED	KLH/JGC

HORNER & SHIFRIN, INC.
ENGINEERS ■ ARCHITECTS ■ PLANNERS