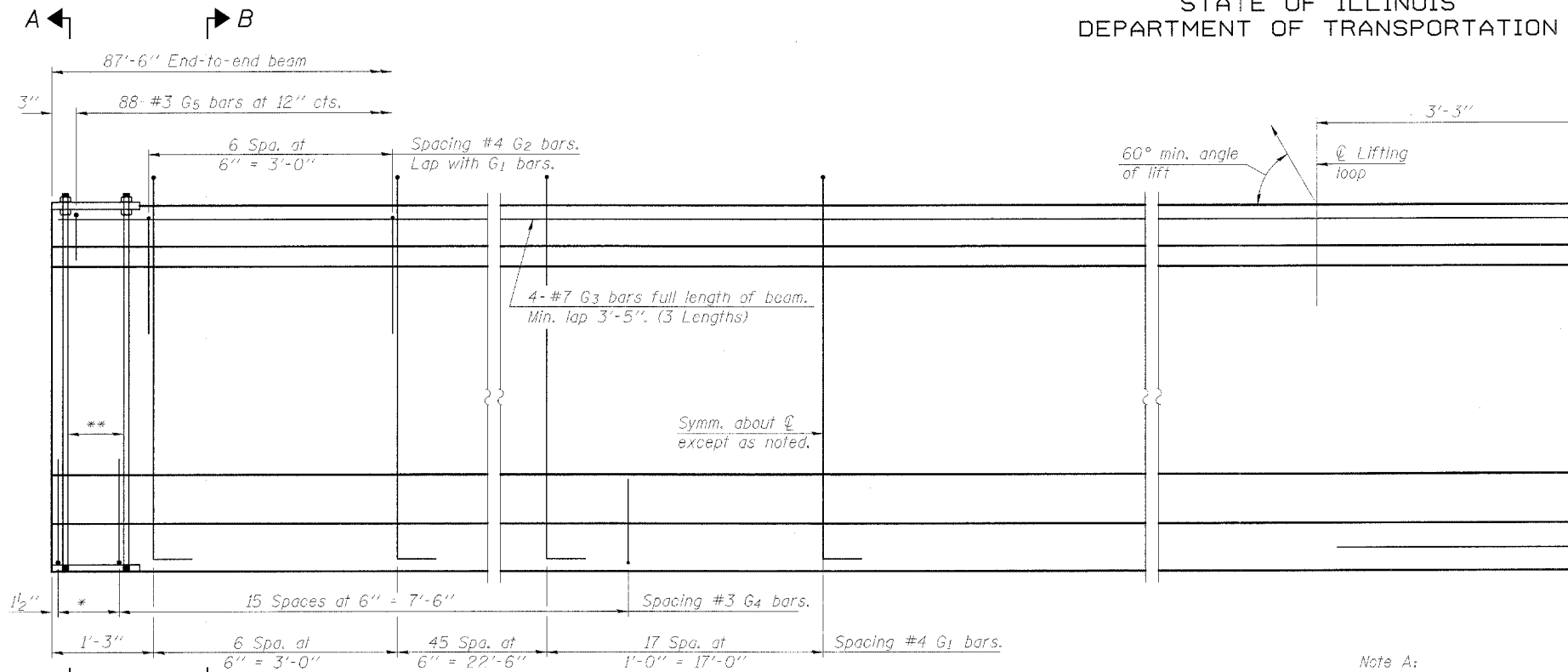


STATE OF ILLINOIS
DEPARTMENT OF TRANSPORTATION

ROUTE NO.	SECTION	COUNTY	SHEETS	SHEET NO.
F.A.P. 315	34-6, 55-1	HANCOCK	133	213
FED. ROAD DIST. NO.	ALLIANCE	FED. AID PROJECT		

Contract #68206



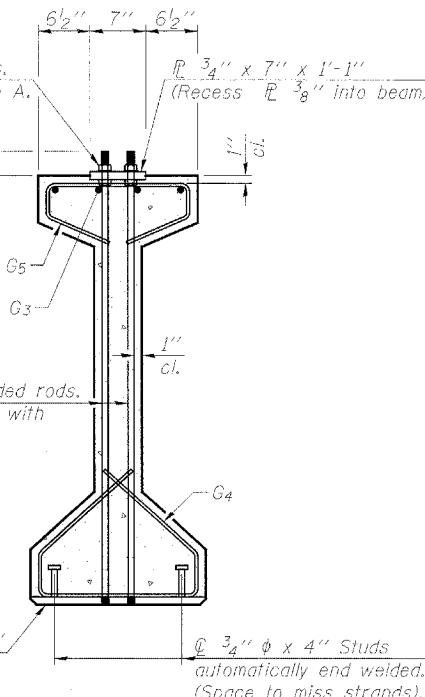
ELEVATION OF BEAM
(Showing reinforcement & dimensions)

* 3 spaces at 3" = 9"
** 4-3/4" φ threaded dowel rods at 3" cts., each face.

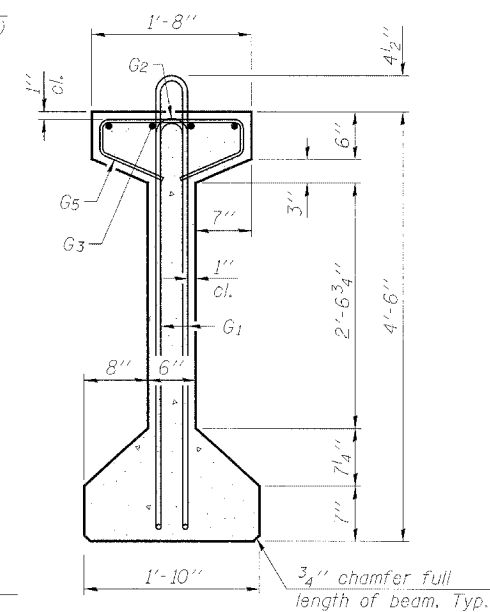
Note A:
Hex nuts (top and bottom) with lock washers (top). Only tighten sufficiently to compress lock washers.

2-#8 G6 bars at pier only. (See sheet 17 of 36 for details).

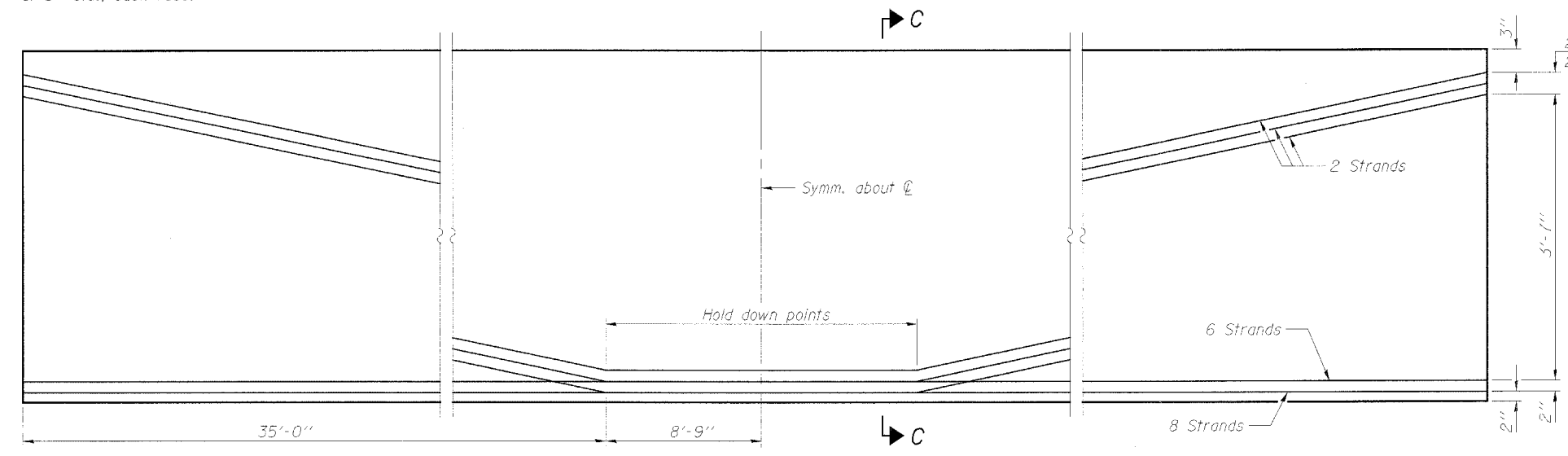
1" x 1'-5" x 1'-10" (Bevel to match chamfer).



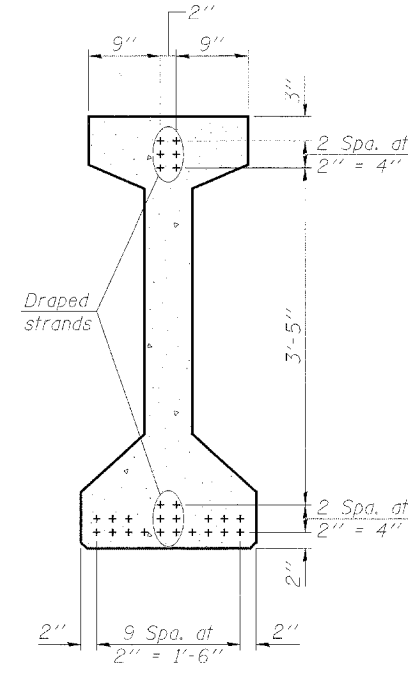
SECTION A-A



SECTION B-B



ELEVATION OF BEAM
(Showing prestressing steel)



SECTION C-C

BAR LIST
ONE BEAM ONLY

Bar	No.	Size	Length	Shape
G1	137	#4	10'-5"	∩L
G2	14	#4	5'-4"	∩
G3	12	#7	31'-5"	∩
G4	38	#3	4'-11"	∩
G5	88	#3	3'-5"	∩
G6	4	#8	3'-9"	U

Notes:
See sheet 17 of 36 for additional details and Bill of Material.
Required release strength, f'cl, shall be 6,000 psi.

DESIGNED	KLH
CHECKED	EML
DRAWN	KBF/EML
CHECKED	KLH

HORNER & SHIFRIN, INC.
ENGINEERS ■ ARCHITECTS ■ PLANNERS

PI-4-54 7-15-05

54" PPC I-BEAM, SPAN 2
ILLINOIS ROUTE 336 OVER
EAST FORK OF THE LAMOINE RIVER
F.A.P. ROUTE 315 - SECTION 34-6, 55-1
HANCOCK COUNTY; STA. 1432+02.61
STRUCTURE NO. 034-0511 (E.B.)
STRUCTURE NO. 034-0512 (W.B.)