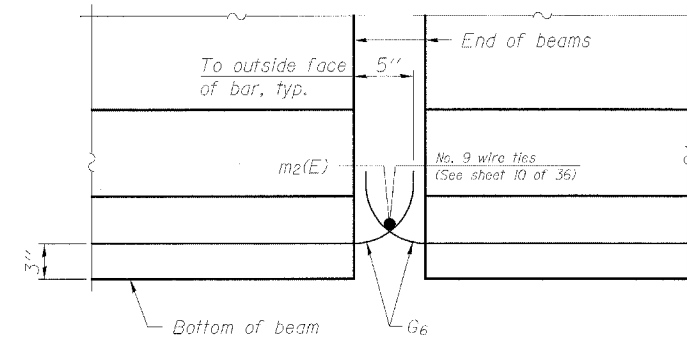


STATE OF ILLINOIS  
DEPARTMENT OF TRANSPORTATION

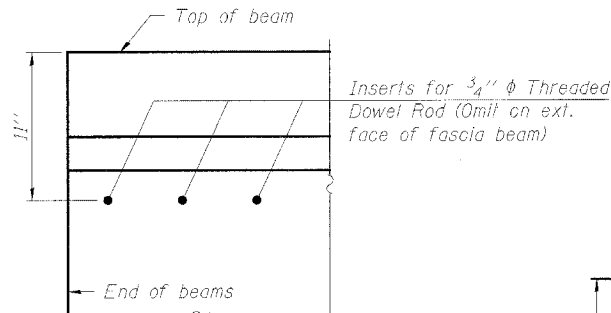
ROUTE NO.	SECTION	COUNTY	TOTAL SHEETS	SHEET NO.
F.A.P. 315	34-6, 55-1	HANCOCK	433	215
FED. ROAD DIST. NO. 7	DIST. NO.	FED. AID PROJECT-		

SHEET NO. 17  
36 SHEETS

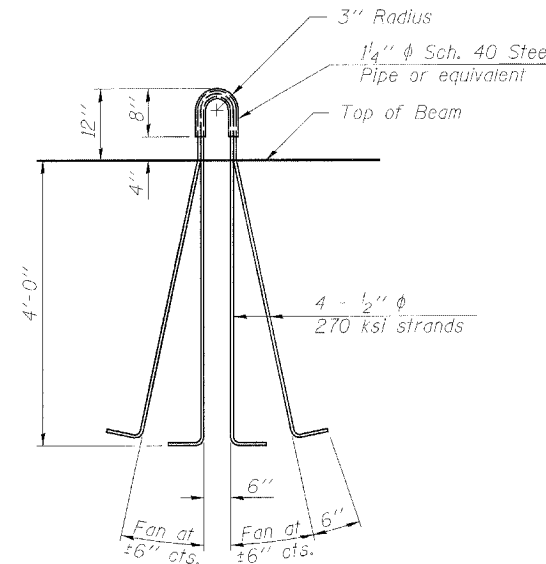
Contract #68206



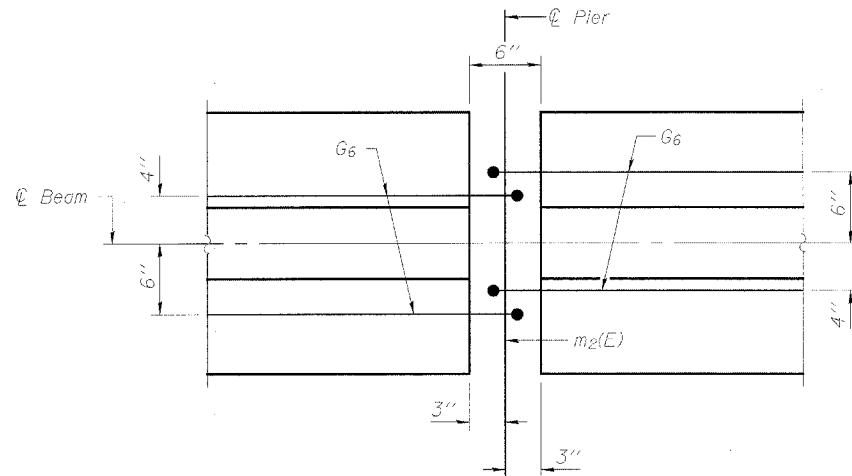
ELEVATION OF BEAM AT PIER



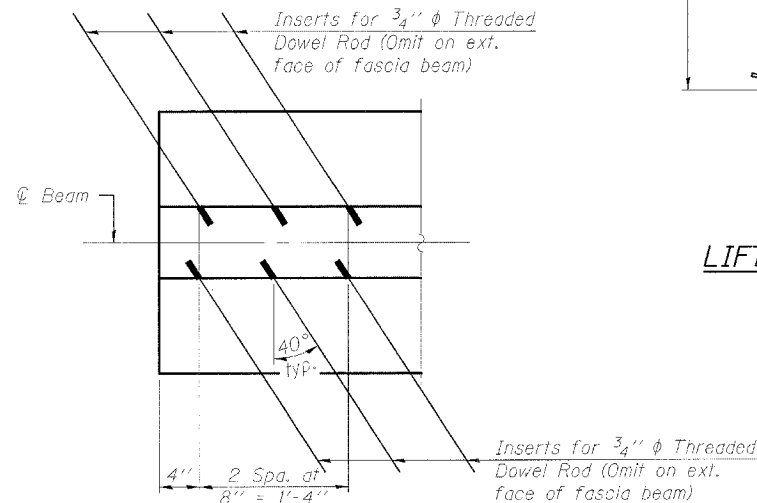
ELEVATION OF BEAM AT ABUT.



LIFTING LOOP DETAIL



PLAN OF BEAM AT PIER



PLAN OF BEAM AT ABUT.

**NOTES**

Inserts for  $\frac{3}{4}$ "  $\phi$  threaded dowel rods, when specified, are to be two strut, coil type for interior beams and single coil, flared loop type for exterior beams.

Prestressing steel shall be uncoated high strength, low relaxation 7-wire strand, Grade 270.

The nominal diameter shall be  $\frac{1}{2}$ " and the nominal cross-sectional area shall be 0.153 sq. in.

Non-prestressing steel shall conform to AASHTO designation M-31 or M-322, Grade 60.

A minimum  $\frac{1}{2}$ "  $\phi$  lifting pin shall be used to engage the lifting loops during handling.

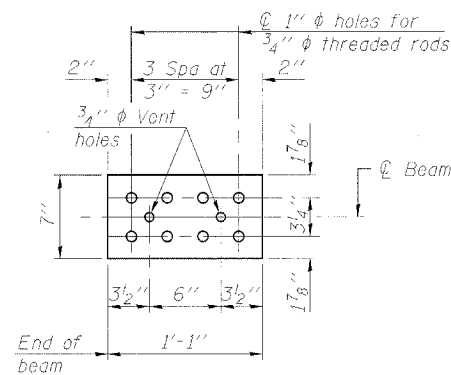
Reinforcement bars designated (E) shall be epoxy coated.

Cut  $G_6$  bars when necessary to maintain  $\frac{1}{2}$ " clearance.

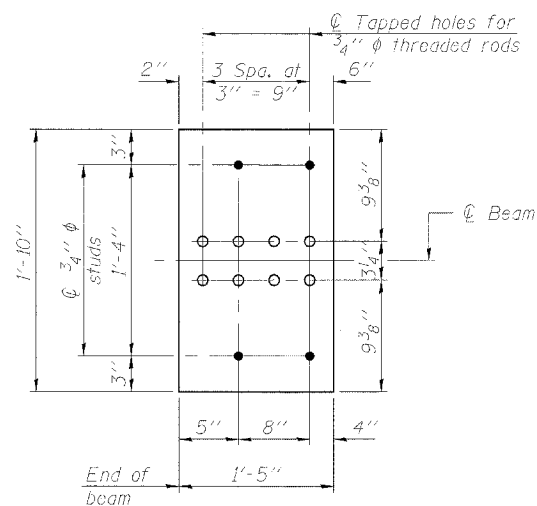
The bottom plates and studs shall be galvanized according to AASHTO M111 and ASTM A385.

Threaded rods shall be ASTM F 1554 Grade 55.

The cut strands at each beam end shall be given two coats of zinc dust spray or paint meeting the requirements of ASTM A 780. The zinc dust spray or paint shall be applied before corrosion appears and allowed to dry according to the manufacturer's specifications prior to another coat of zinc. A concrete sealer meeting the requirements of Section 587 of the Standard Specifications shall be applied to all portions of the I-beam or Bulb-T beam, except the top surface of the top flange and the bottom surface of the bottom flange, starting at each beam end and extending out a distance of 54 inches. The sealer shall be applied after visible crack growth has subsided. This work shall be performed by the producer and included with the cost of the beam.

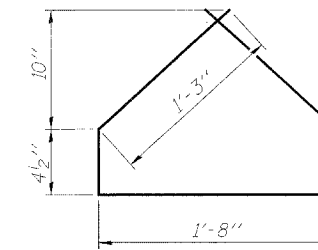


TOP PLATE

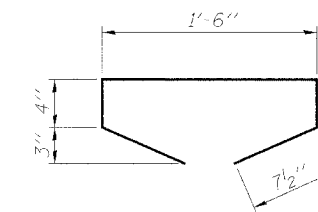


BOTTOM PLATE

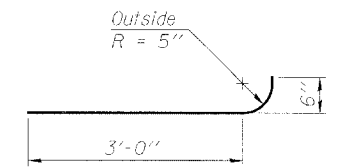
See bearing details for pin/le hole locations when required.



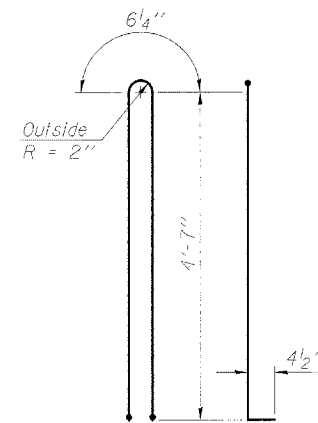
BAR G4



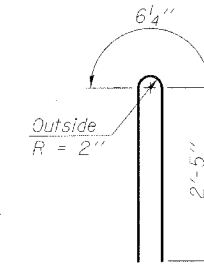
BAR G5



BAR G6



BAR G1



BAR G2

**BILL OF MATERIAL  
(ONE STRUCTURE)**

Item	Unit	Total
Furnishing and Erecting Precast Prestressed Concrete I-Beams, 54"	Fl.	1466

54" PPC I-BEAM DETAILS  
ILLINOIS ROUTE 336 OVER  
EAST FORK OF THE LAMOINE RIVER  
F.A.P. ROUTE 315 - SECTION 34-6, 55-1  
HANCOCK COUNTY; STA. 1432+02.61  
STRUCTURE NO. 034-0511 (E.B.)  
STRUCTURE NO. 034-0512 (W.B.)

DESIGNED	KLH
CHECKED	EML
DRAWN	KBF
CHECKED	KLH

**HORNER & SHIFRIN, INC.**  
ENGINEERS ■ ARCHITECTS ■ PLANNERS