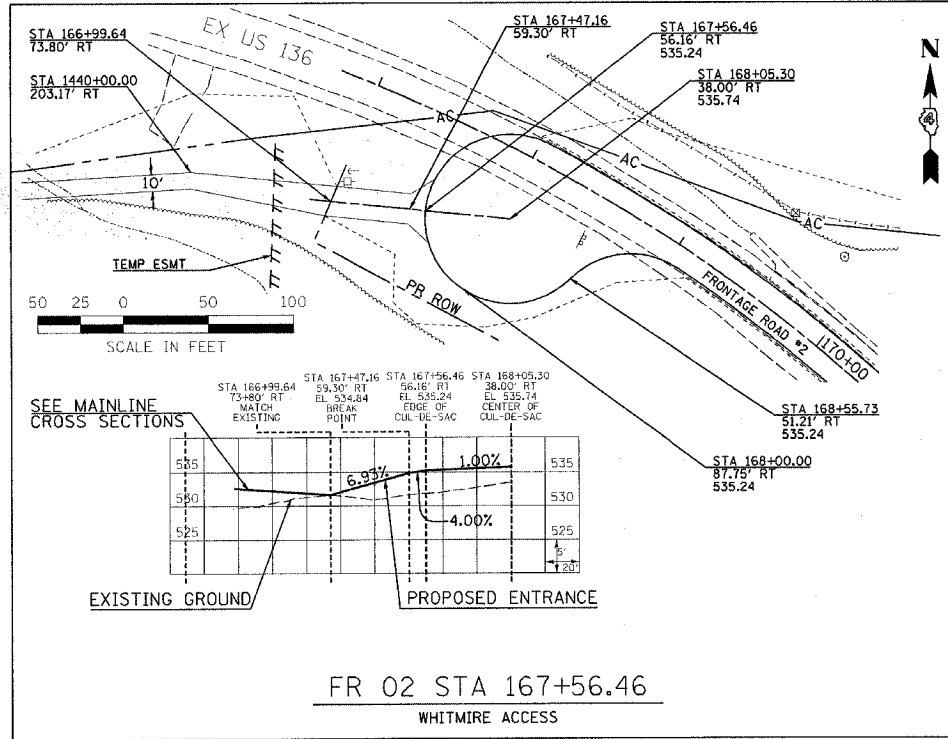
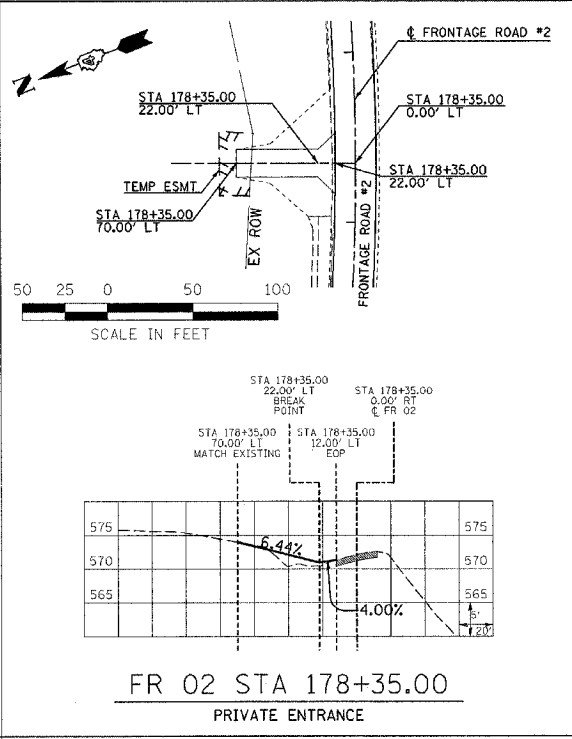


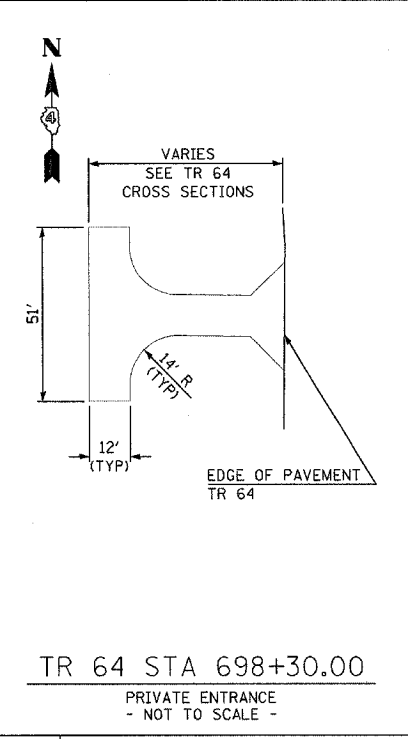
F.A.P. DIST.	SECTION	COUNTY	TOTAL SHEETS	SHEET NO.
315	(34-6,55-1)	HANCOCK/MCDONOUGH	433	254
STA.	TO STA.			
FED. ROAD DIST. NO.	ILLINOIS	FED. AID PROJECT	STATE CONTRACT NO. 68206	



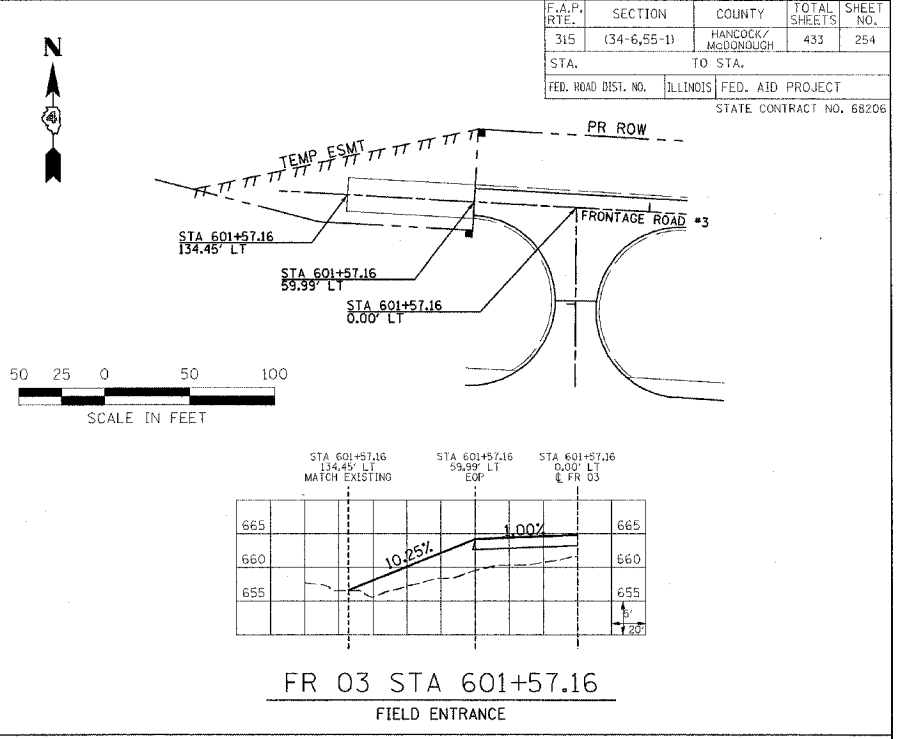
FR 02 STA 167+56.46  
WHITMIRE ACCESS



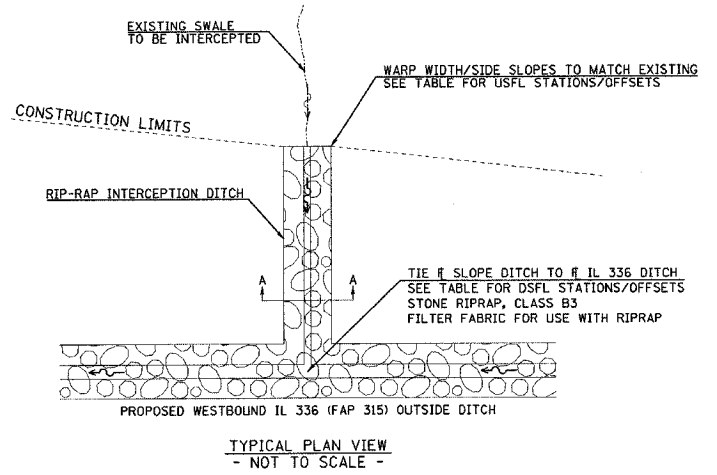
FR 02 STA 178+35.00  
PRIVATE ENTRANCE



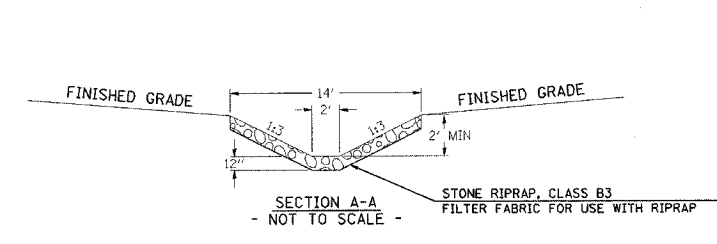
TR 64 STA 698+30.00  
PRIVATE ENTRANCE  
- NOT TO SCALE -



FR 03 STA 601+57.16  
FIELD ENTRANCE



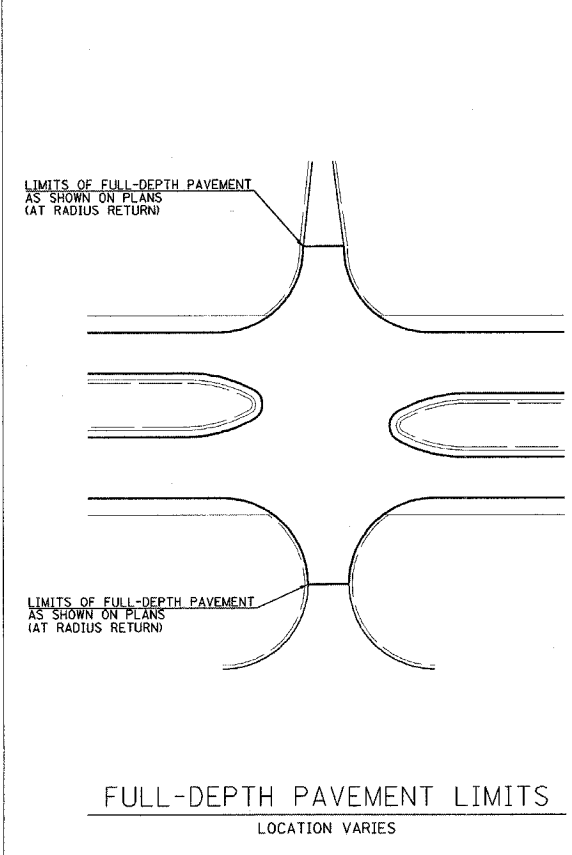
TYPICAL PLAN VIEW  
- NOT TO SCALE -



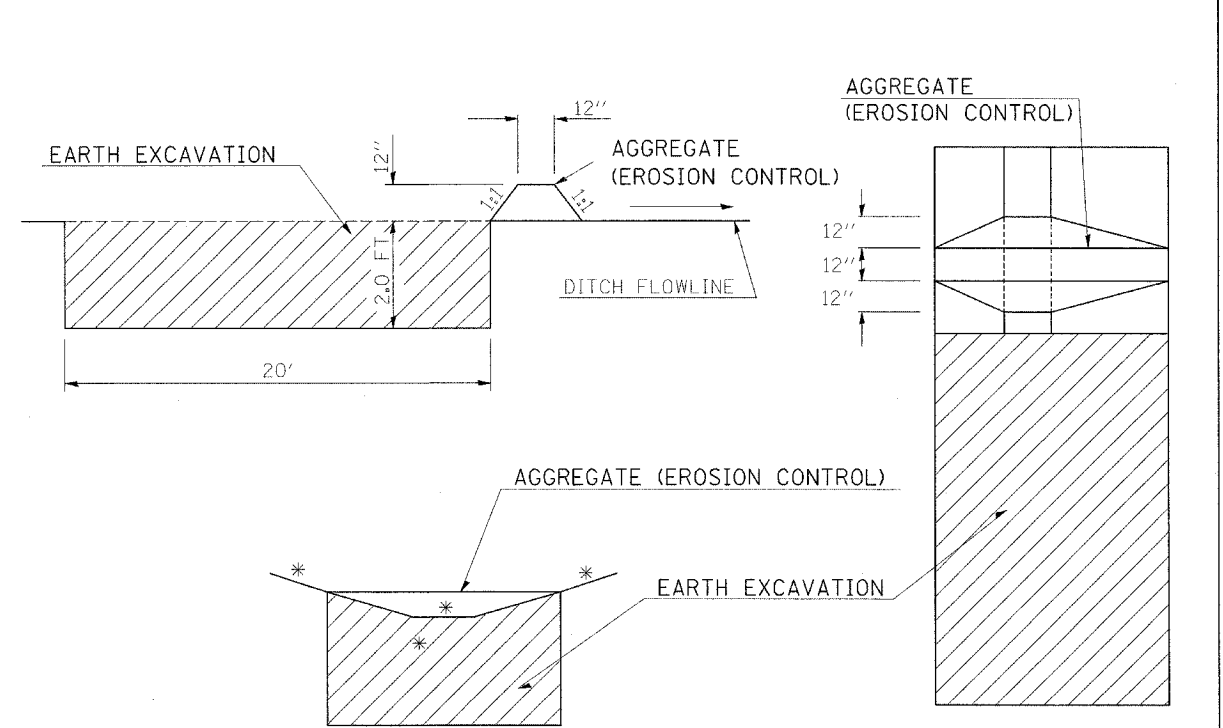
SECTION A-A  
- NOT TO SCALE -

STATION	USFL OFFSET	DSFL OFFSET
16+17.48	178.70' LT	98.22' LT
18+16.55	146.16' LT	99.98' LT
20+17.78	146.26' LT	106.37' LT

RIPRAP INTERCEPTION DITCH  
LOCATION VARIES



FULL-DEPTH PAVEMENT LIMITS  
LOCATION VARIES



\* SEE CROSS SECTIONS FOR SIDE SLOPES AND DITCH WIDTHS

\* SEE SCHEDULE FOR DETAILS

SEDIMENT BASIN

REVISIONS	
NAME	DATE

ILLINOIS DEPARTMENT OF TRANSPORTATION  
**DESIGN DETAILS**  
SPECIAL ENTRANCE DETAILS &  
RIPRAP INTERCEPTION DITCH  
FULL DEPTH PAVEMENT LIMITS  
SCALE: VERT. VARIES  
HORIZ. VARIES  
DATE 9/1/2005  
DRAWN BY BDS  
CHECKED BY SRD