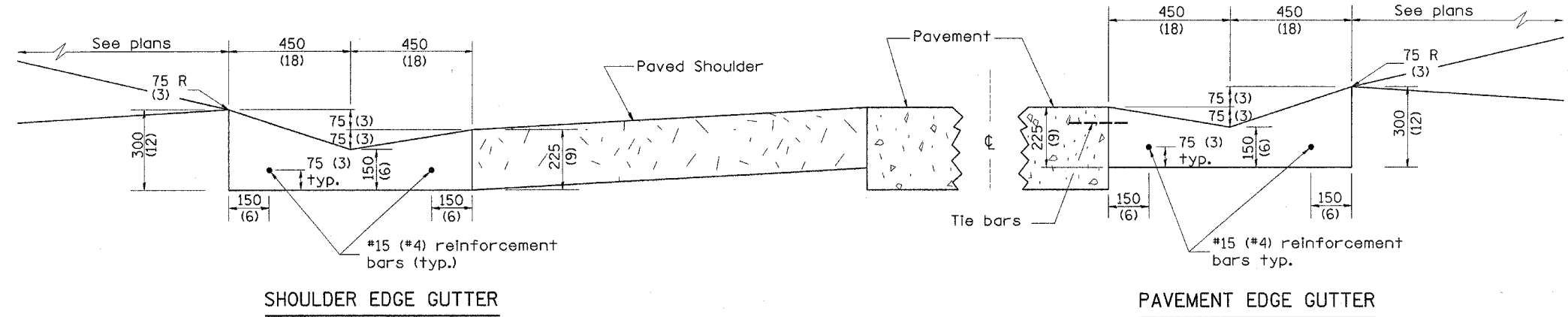


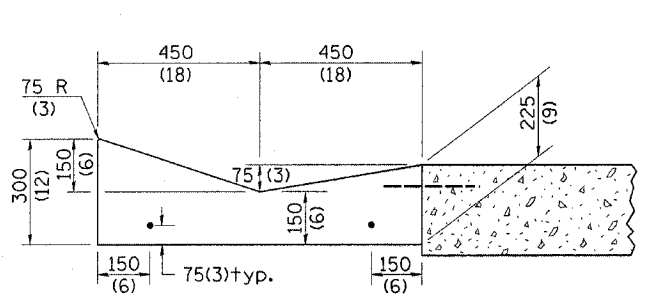
F.A.P. RTE.	SECTION	COUNTY	TOTAL SHEETS	SHEET NO.
315	(34-6.55-1)	HANCOCK/McDONOUGH	433	272
STA.	TO STA.			
FED. ROAD DIST. NO.	ILLINOIS	FED. AID PROJECT		STATE CONTRACT NO. 68206



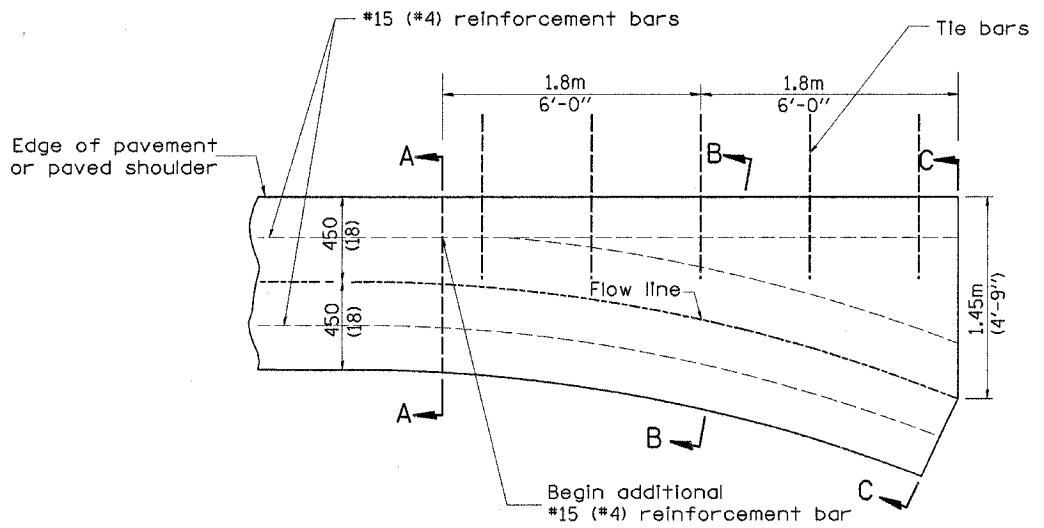
SHOULDER EDGE GUTTER

PAVEMENT EDGE GUTTER

TYPE A GUTTER (MODIFIED)



SECTION A-A

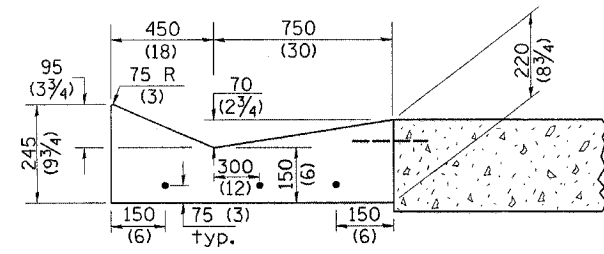


PLAN

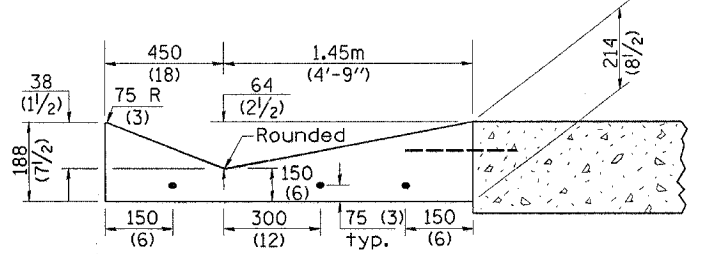
QUANTITY	
Section C-C to A-A	m <sup>3</sup> (cu. yd.) concrete.

GENERAL NOTES:

- TYPE A GUTTER (MODIFIED) shall conform to the applicable portions of Section 606.
- Tie bars shall be No. 20 (No. 6) at 600mm (24") centers unless otherwise shown.
- Gutter, gutter inlets, gutter outlets, and gutter entrances shall be tied to rigid pavement in accordance with details shown on Standard 420001.
- Joints shall be constructed in accordance with Article 606.06.
- Welded wire fabric shall conform to Article 1006.10(c)(1), and shall not be less than 2.83 kg/m<sup>2</sup> (58 lbs/100 sq.ft.).



SECTION B-B



SECTION C-C

INLET

DESIGNER NOTE:  
1. INCLUDE STATE STANDARD 420001.  
2. INCLUDE DISTRICT SPECIAL PROVISION.

QUANTITIES	
CALC. BY:	DATE:
CHECKED BY:	DATE:
QUANTITY CALCULATIONS ARE ON FILE AT THE DISTRICT 4 OFFICE; BUREAU OF PROJECT IMPLEMENTATION; DOCUMENTATION SECTION	

All dimensions are in millimeters (Inches) unless otherwise noted.	
ILLINOIS DEPARTMENT OF TRANSPORTATION	
DISTRICT CADD STANDARD	
TYPE A GUTTER, (MODIFIED)	
(INLET, OUTLET & ENTRANCE)	
CADD STANDARD 606101-D4	SHEET 1 OF 3
SCALE: NOT DRAWN TO SCALE	DRAWN BY CADD
DATE 7/18/2006	CHECKED BY

DATE	REVISIONS	BY
1-1-97	RENUM. A-1.02, NEW REVISION	T.P.
	BOX, ELIMINATED EXPANSION	
	ANCHOR TIES.	
2-28-02	ENTRANCE TYPICALS REVISED	M.A.