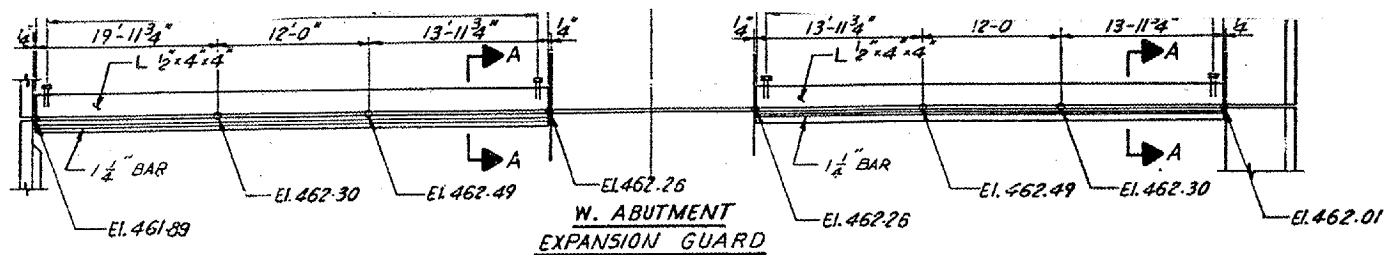


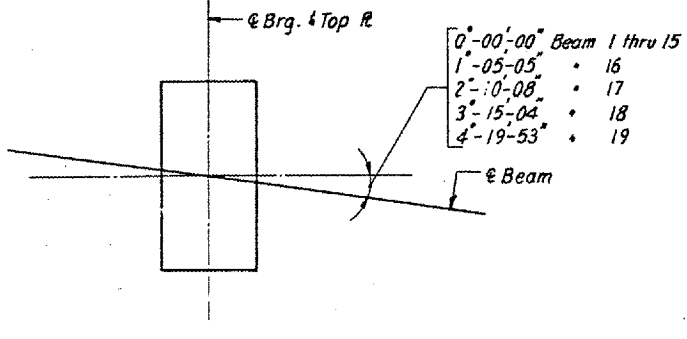
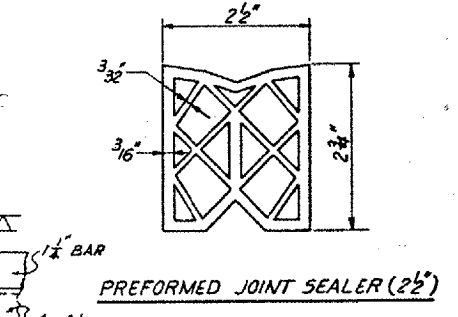
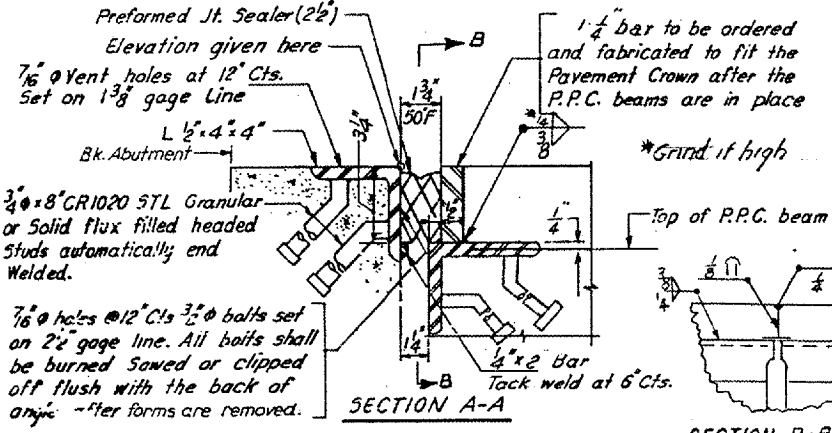
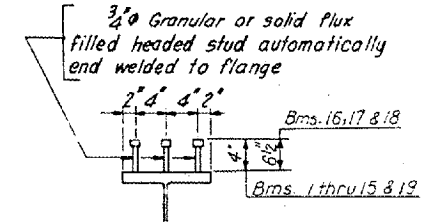
# BRIDGE NO 1- 072-0134 US RT 24 OVER KICKAPOO CREEK

F.A. RTE.	SECTION	COUNTY	TOTAL SHEETS	SHEET NO.
VAR	D4 BRDG PNT 07	VARIOUS	17	7A
STA.		TO STA.		
FED. ROAD DIST. NO. 4		ILLINOIS		

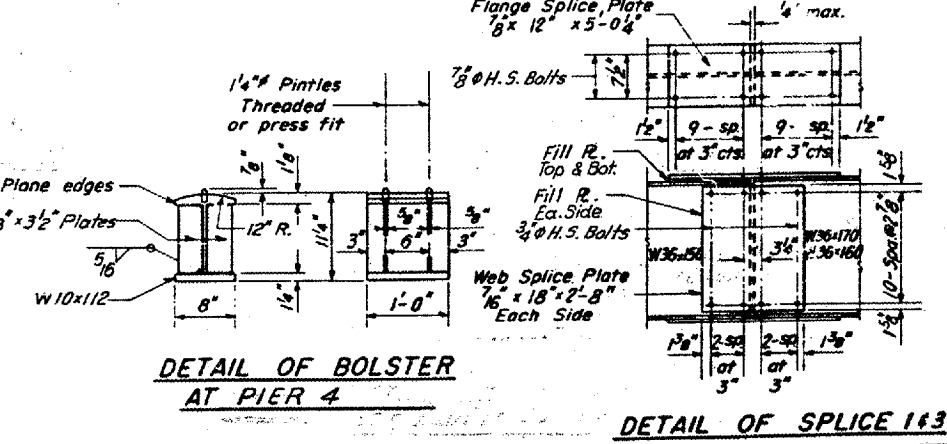
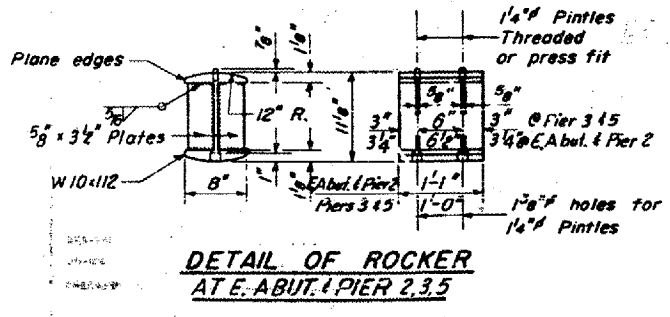
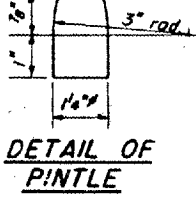
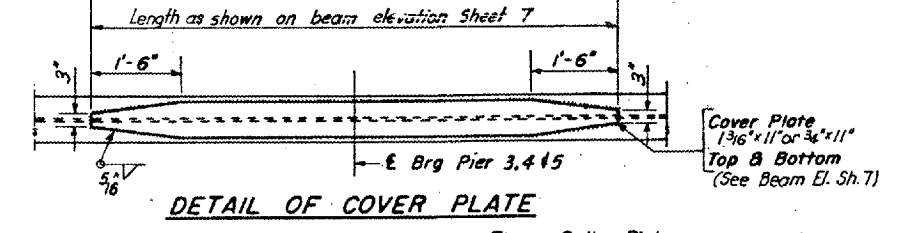
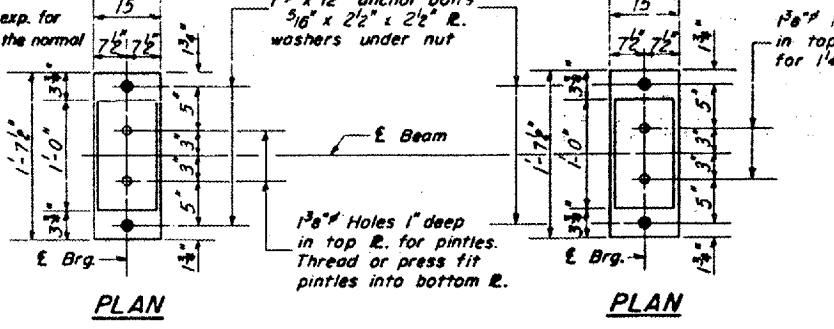
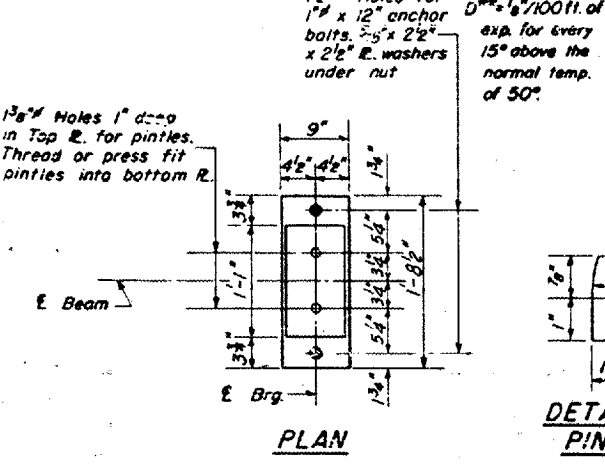
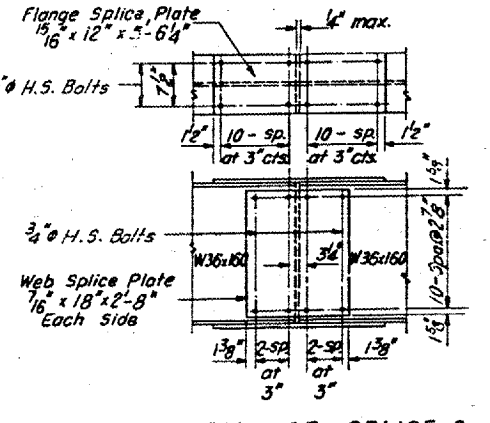
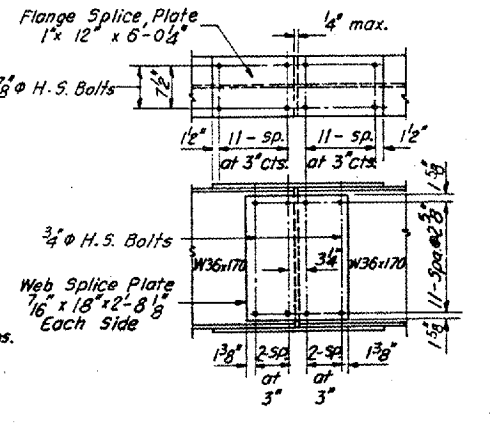
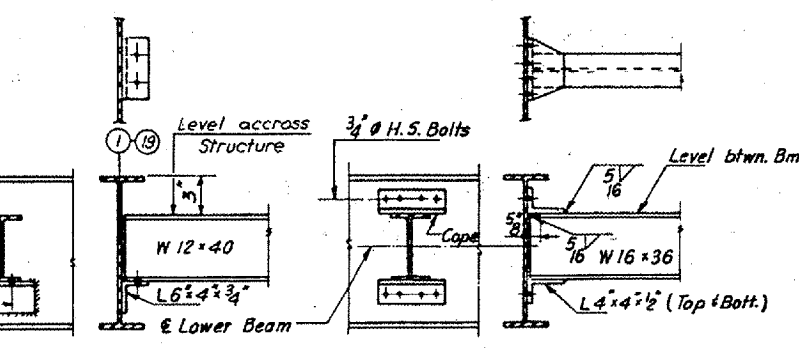
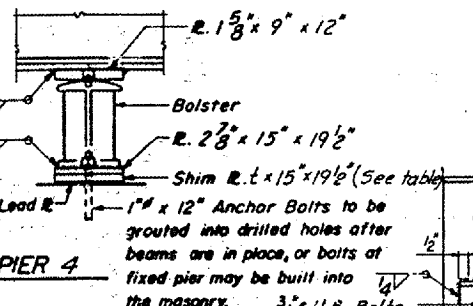
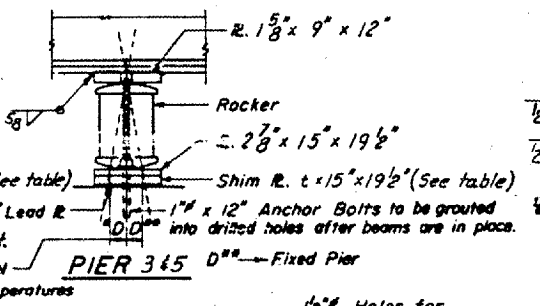
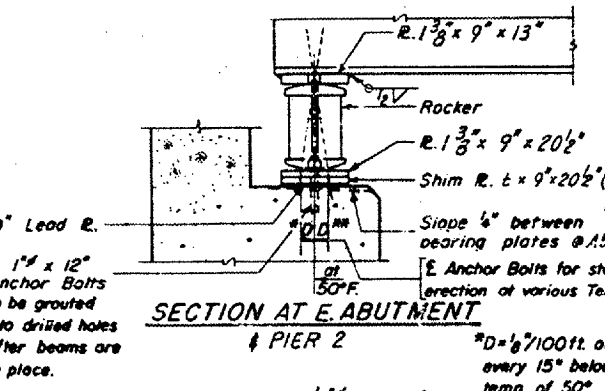


Shim Plate thickness (t)

Location	Bms. 1 & 8	Bm. 15	Bm. 16	Bm. 17	Bm. 18
Pier 2	1/2"	1 3/4"	1 1/2"	1"	1/2"
Pier 3	3/8"	---	1/2"	---	3/8"
Pier 4	1/2"	---	3/8"	---	1/2"
Pier 5	3/8"	---	---	---	---



SHEAR CONNECTOR DETAIL  
No. Regd = 9,696 - (4" x 3/4" x 2")  
1,818 - (6" x 3/4" x 2")



ADD SHEET

FOR INFORMATION ONLY

STATE OF ILLINOIS  
DEPARTMENT OF TRANSPORTATION

STRUCTURAL STEEL  
RELOCATED ADAMS STREET (FA 10)  
OVER  
KICKAPOO CREEK  
STA. 187+10.02  
PEORIA COUNTY SECTION 48-B

CHRISTIAN-ROGE AND ASSOC.  
ENGINEERS  
CHICAGO ILLINOIS

SHEET  
8 of 24