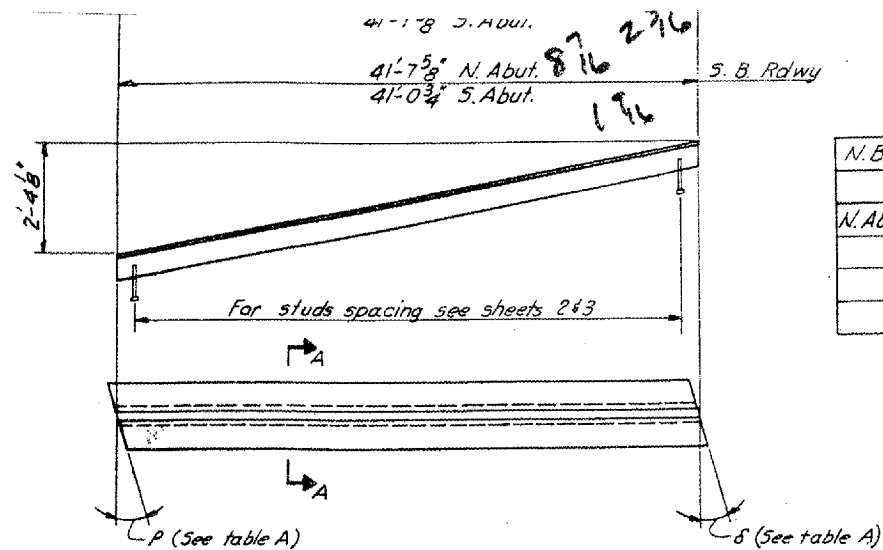


# BRIDGE NO 5 & 6 - 072-0124/125 I 474 OVER RAILROAD

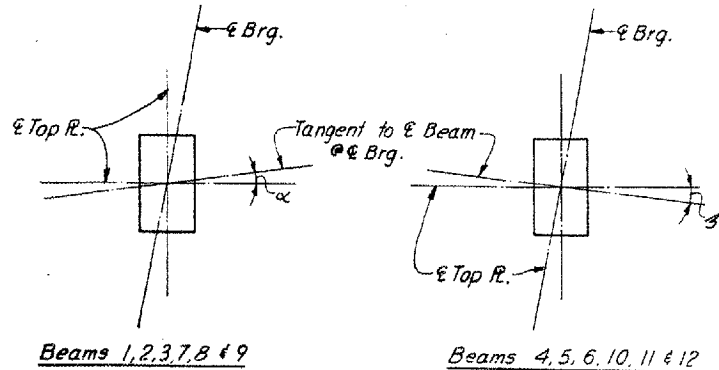
F.A. RTE.	SECTION	COUNTY	TOTAL SHEETS	SHEET NO.
VAR	04 BRDG PNT 07	VARIOUS	17	15a
STA.		TO STA.		
FED. ROAD DIST. NO. 4		ILLINOIS		



**EXPANSION GUARD ANGLES**  
For section A-A see sheet 3

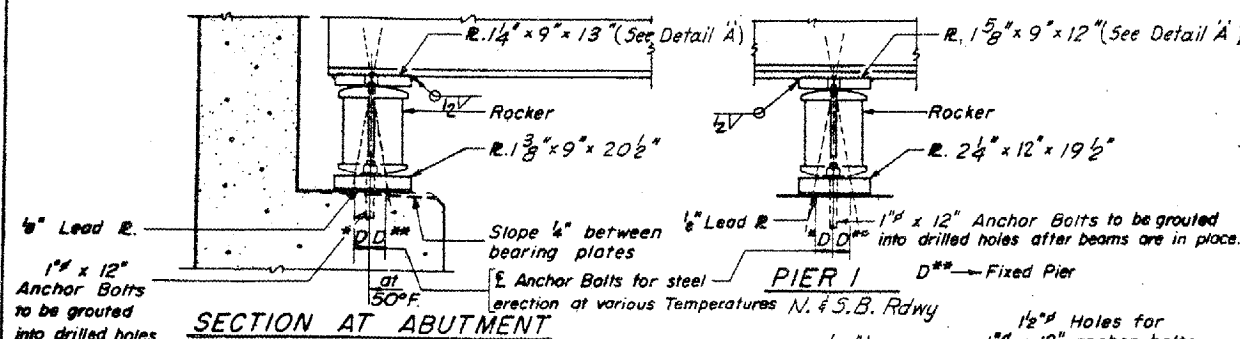
TABLE A

N.B. Rdwy	S.B. Rdwy	Angle P	Angle δ
N. Abut.		10°-48'	10°-47'
S. Abut.		13°-48'	13°-33'
	N. Abut.	10°-32'	10°-32'
	S. Abut.	13°-27'	13°-23'

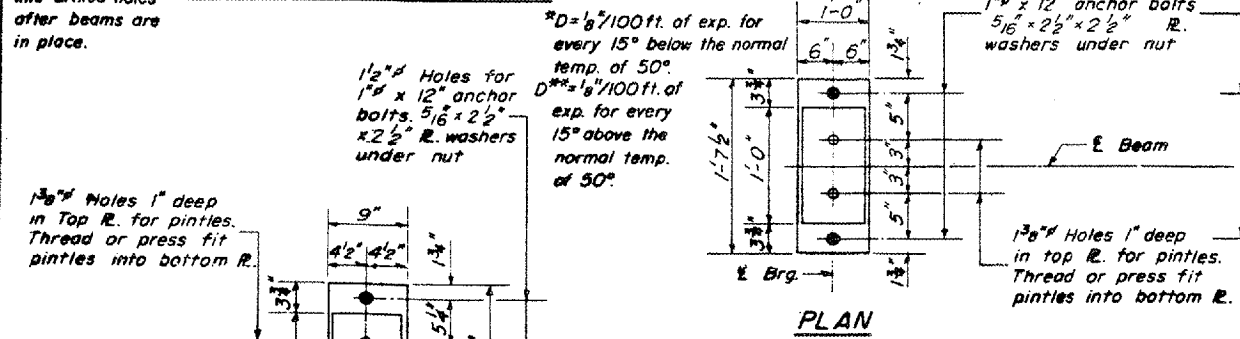


**DETAIL OF TOP BEARING PLATE TO BEAM CONNECTION**  
See table for angles

Beam	ε Brg. N. Abut.		ε Pier 1		ε Pier 2		ε Brg. S. Abut.	
	Angle α	Angle β	Angle α	Angle β	Angle α	Angle β	Angle α	Angle β
1	0°-03'-16"		0°-03'-38"		0°-03'-47"		0°-04'-31"	
2	0°-02'-00"		0°-02'-17"		0°-02'-17"		0°-02'-55"	
3	0°-00'-44"		0°-00'-55"		0°-00'-47"		0°-01'-19"	
4		0°-00'-31"		0°-00'-26"		0°-00'-42"		0°-00'-16"
5		0°-01'-46"		0°-01'-47"		0°-02'-11"		0°-01'-51"
6		0°-03'-01"		0°-03'-08"		0°-03'-40"		0°-03'-26"
7	0°-03'-27"		0°-03'-37"		0°-04'-02"		0°-04'-32"	
8	0°-02'-00"		0°-02'-19"		0°-02'-36"		0°-03'-01"	
9	0°-01'-00"		0°-01'-01"		0°-01'-10"		0°-01'-29"	
10		0°-00'-27"		0°-00'-16"		0°-00'-15"		0°-00'-02"
11		0°-01'-22"		0°-01'-33"		0°-01'-40"		0°-01'-42"
12		0°-02'-33"		0°-02'-50"		0°-03'-04"		0°-03'-02"

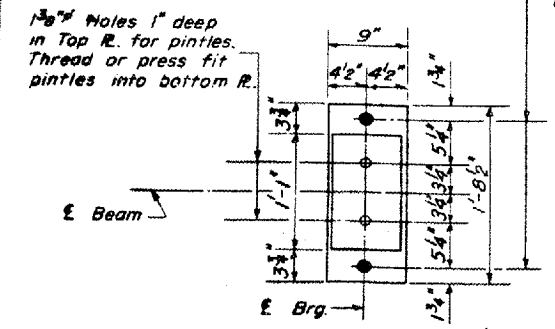


**SECTION AT ABUTMENT**

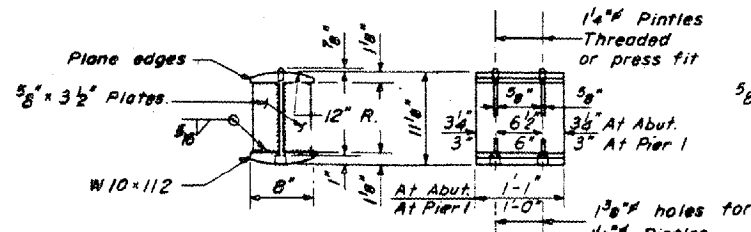


**PLAN**

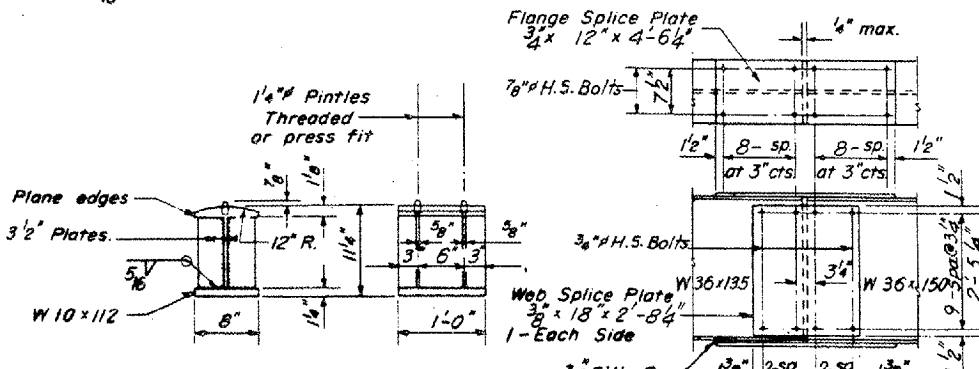
**PLAN**



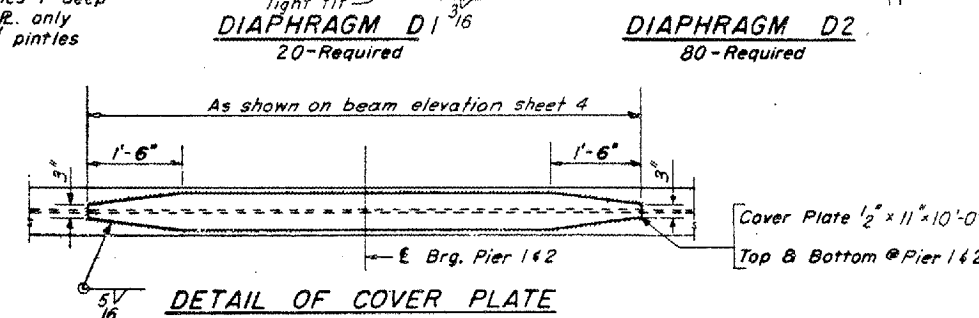
**DETAIL OF PINDLE**



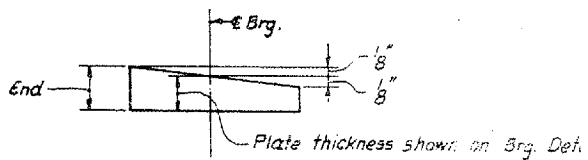
**DETAIL OF ROCKER AT ABUTMENTS & PIERS 1**



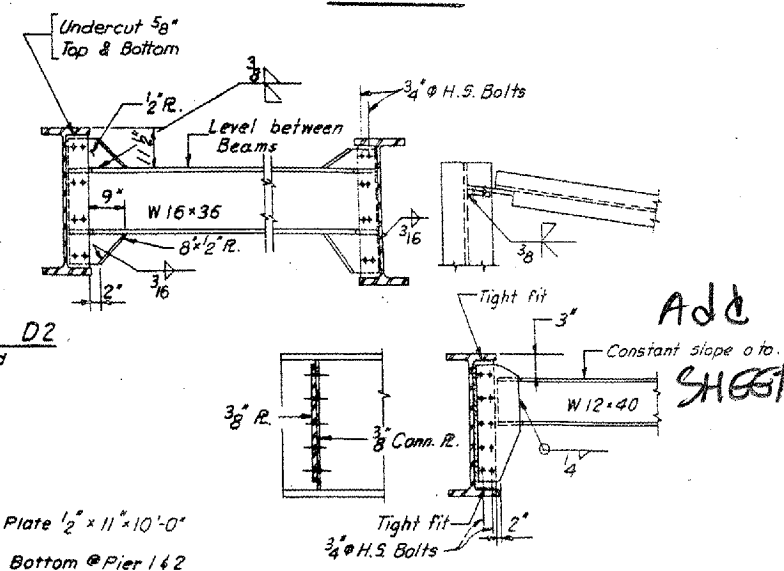
**DETAIL OF BOLSTER AT PIERS 2**



**DETAIL OF COVER PLATE**



**DETAIL 'A'**



**DIAPHRAGM D**

FOR INFORMATION ONLY

STATE OF ILLINOIS  
DIVISION OF HIGHWAYS  
STRUCTURAL STEEL  
F.A.I. ROUTE 474  
OVER  
C. & N.W. RY.  
STA. 252 + 62.17  
F.A.I. RT 474 PEORIA COUNTY SECTION 72-3VB  
CHRISTIAN-ROGE AND ASSOC  
ENGINEERS  
CHICAGO ILLINOIS

DESIGNED BY J.J.  
DRAWN BY J.J.  
CHECKED BY A.T.

ADD SHEET

SH 5c