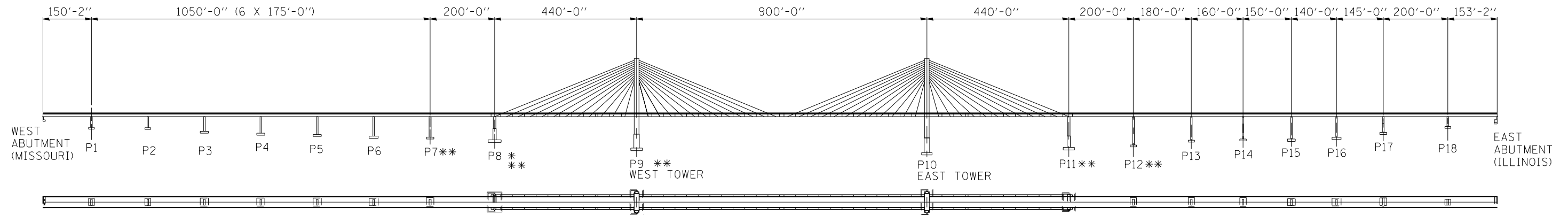


F.A.P. RTE.	SECTION	COUNTY	TOTAL SHEETS	SHEET NO.
63	(1-ZB-1)I-5	ADAMS	9	4
STA.		TO STA.		
FED. ROAD DIST. NO.	ILLINOIS	FED. AID PROJECT		



* DEBRIS REMOVAL
 ** STONED DUMPED RIPRAP A-6

**ILLINOIS
 DEPARTMENT OF TRANSPORTATION**

U.S. 24 OVER
 MISSISSIPPI RIVER
 STRUCTURE NUMBER: 001-0068
 SECTION (1-ZB-1)I-5
 ADAMS COUNTY

PLAN VIEW

PLOT DATE : 8/17/2006
 FILE NAME : c:\p\projects\650306\shlgpe.dgn
 PLOT SCALE : 317.6471' / IN.
 USER NAME : laughlin-1