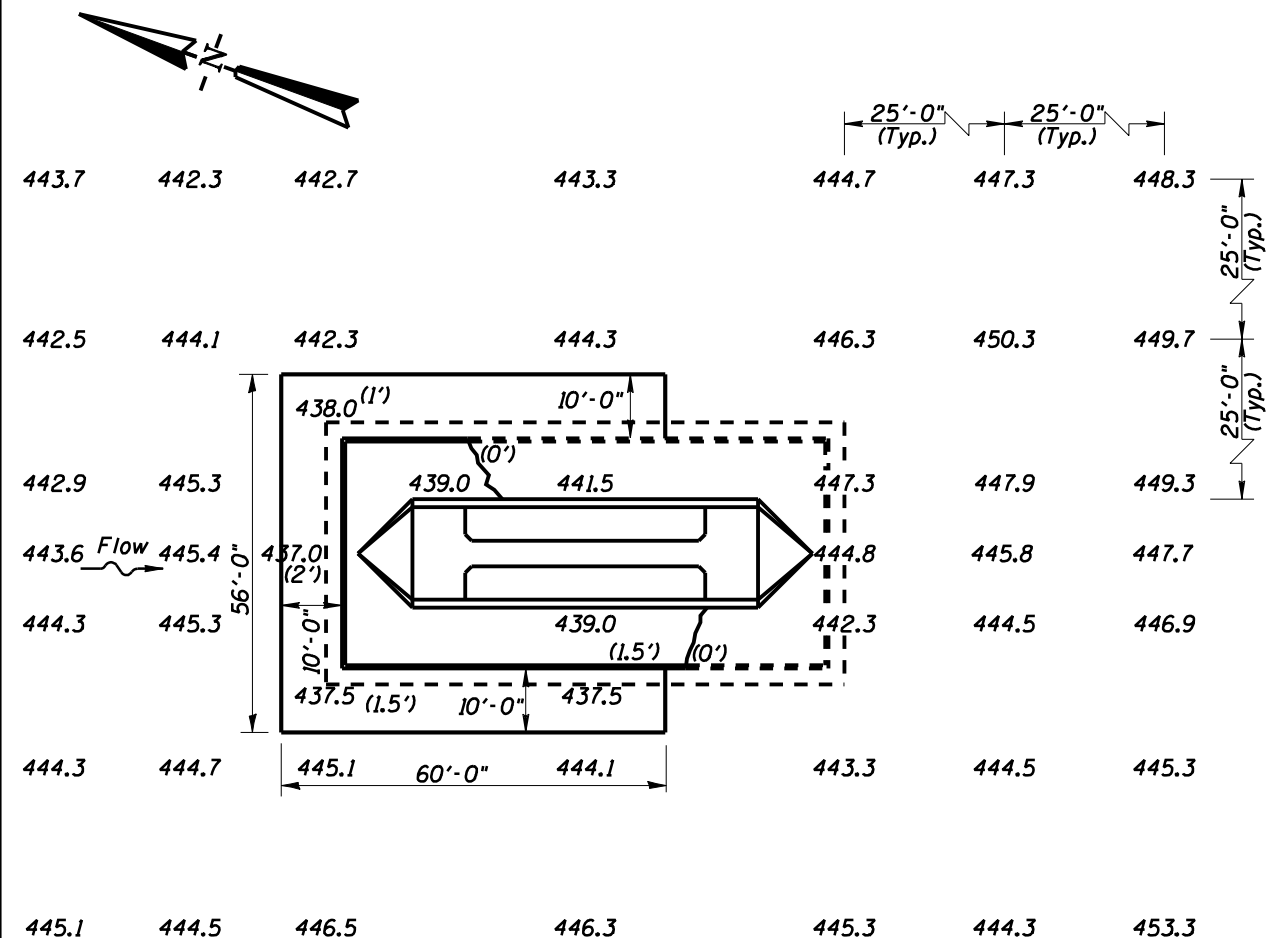
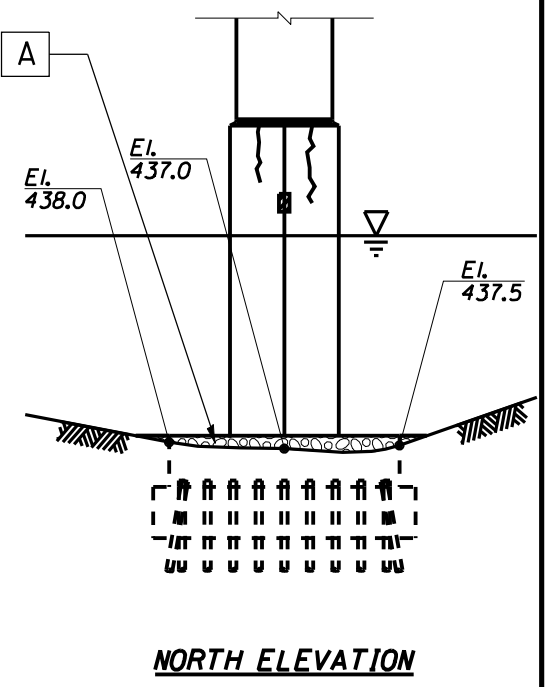
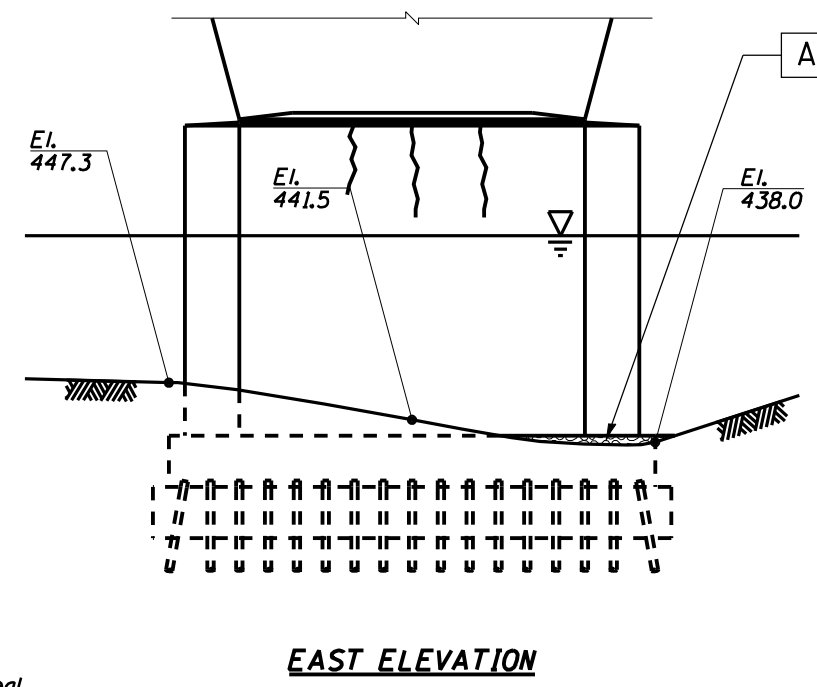
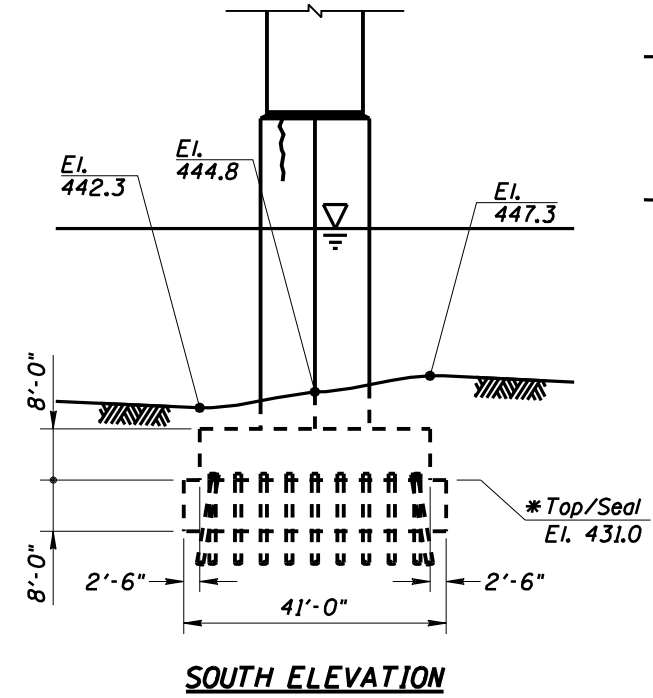
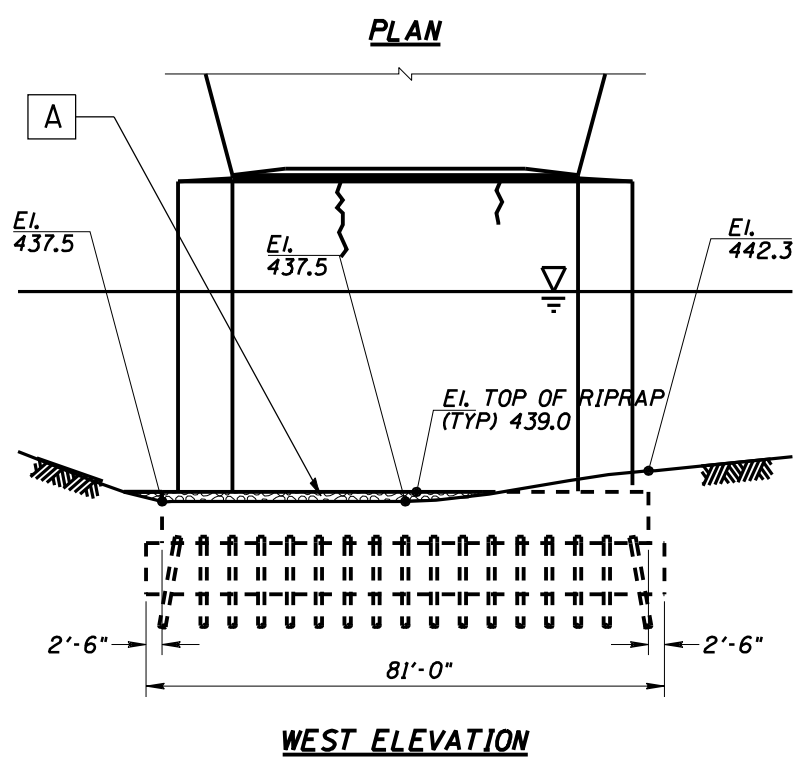


F.P. RTE.	SECTION	COUNTY	TOTAL SHEETS	SHEET NO.
63	(1-ZB-1)I-5	ADAMS	9	7
STA.		TO STA.		
FED. ROAD DIST. NO.	ILLINOIS	FED. AID PROJECT		



MATERIAL TO BE USED: PIER 9
A STONE DUMPED RIPRAP, CLASS A6 135 TONS



- LEGEND:**
- 460.0 Channel Bottom Elevation
 - Channel Bottom Material
 - (2") Vertical Exposure on Footing Face

**ILLINOIS
 DEPARTMENT OF TRANSPORTATION**

U.S. 24 OVER
 MISSISSIPPI RIVER
 STRUCTURE NUMBER: 001-0068
 SECTION (1-ZB-1)I-5
 ADAMS COUNTY

PIER 9