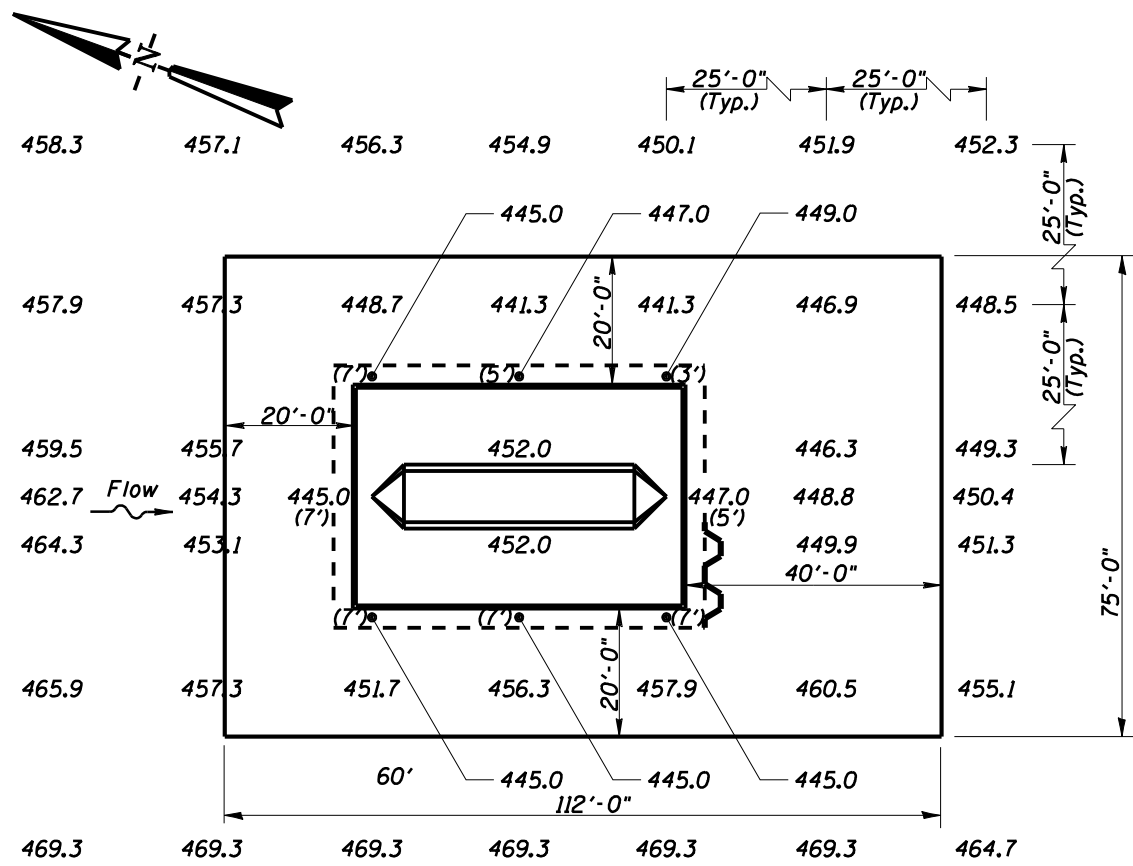
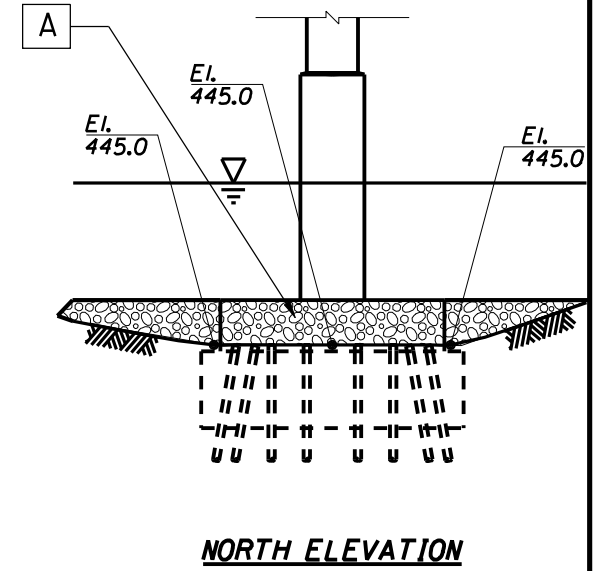
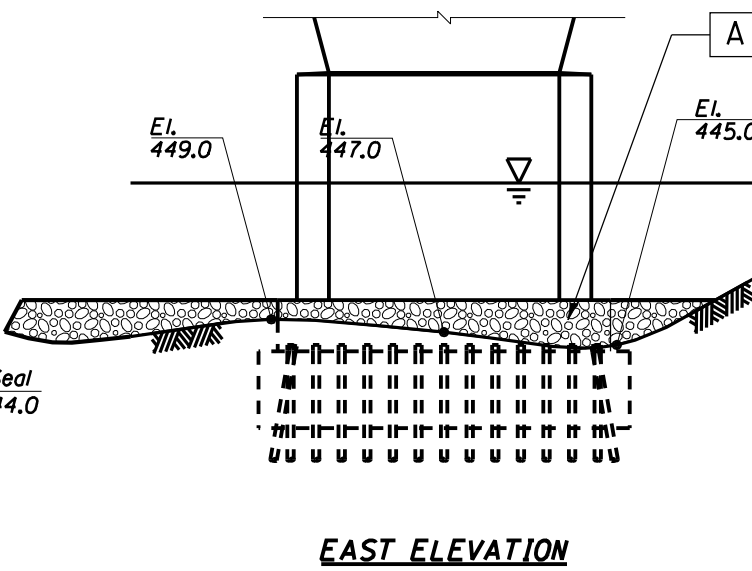
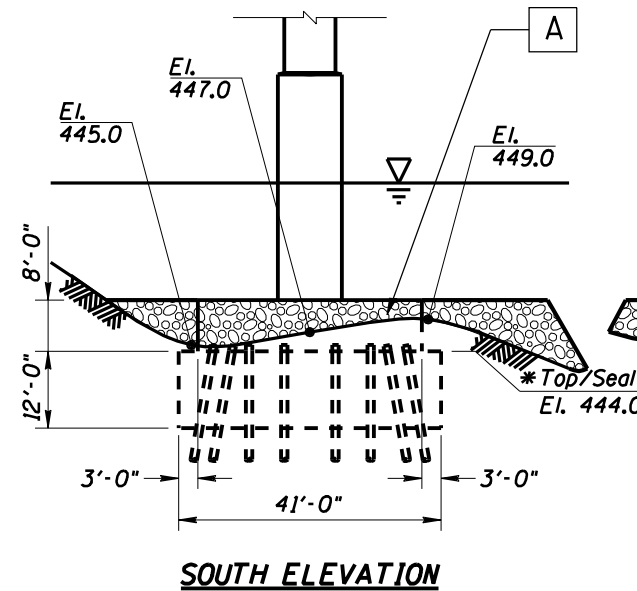
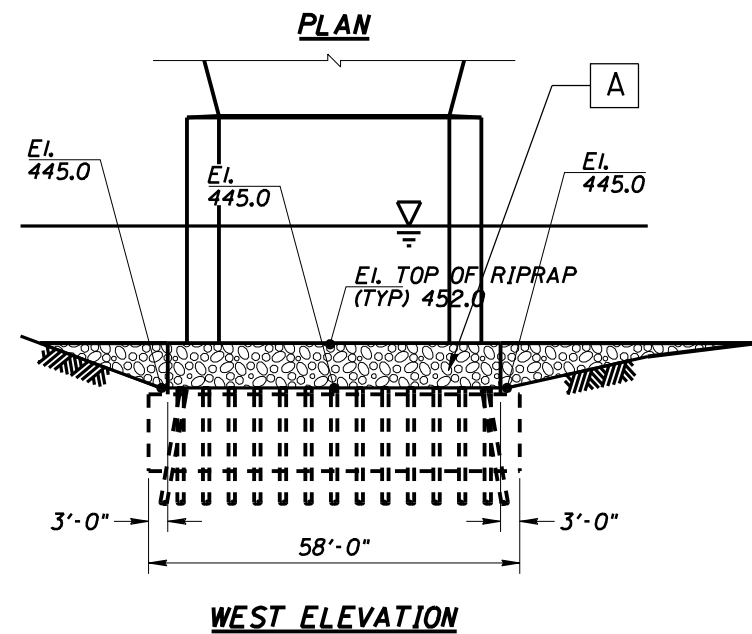


F.P.P. RTE.	SECTION	COUNTY	TOTAL SHEETS	SHEET NO.
63	(1-ZB-1)I-5	ADAMS	9	8
STA.		TO STA.		
FED. ROAD DIST. NO.		ILLINOIS FED. AID PROJECT		



A MATERIAL TO BE USED: PIER II
A STONE DUMPED RIPRAP, CLASS A6 1388 TONS



- LEGEND:**
- 460.0 Channel Bottom Elevation
 - Channel Bottom Material
 - (5') Vertical Exposure on Footing Face

**ILLINOIS
 DEPARTMENT OF TRANSPORTATION**

U.S. 24 OVER
 MISSISSIPPI RIVER
 STRUCTURE NUMBER: 001-0068
 SECTION (1-ZB-1)I-5
 ADAMS COUNTY

PIER II