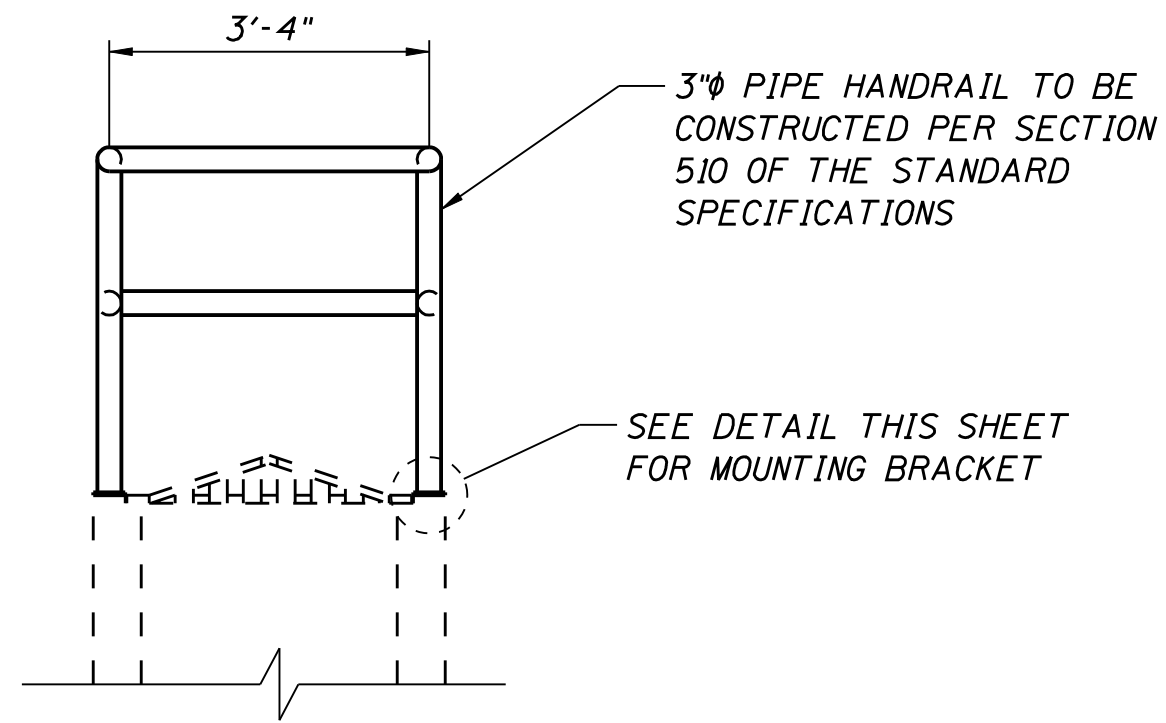
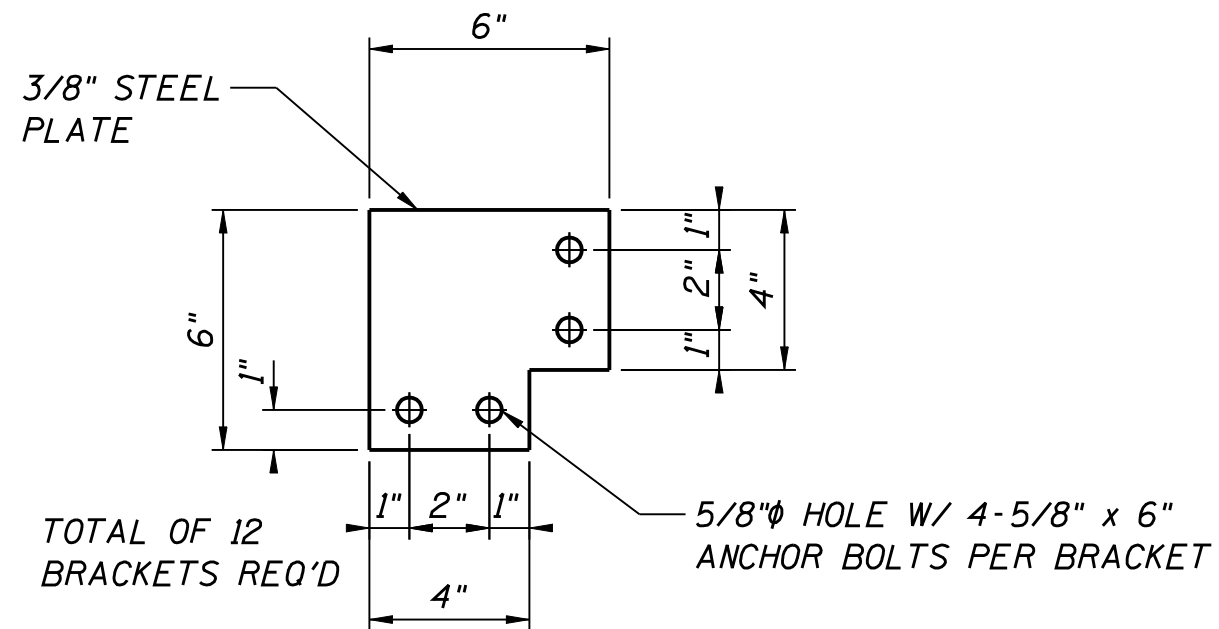


FRONT ELEVATION



SIDE ELEVATION



MOUNTING BRACKET

PIPE HANDRAIL DETAILS  
FAP 753 (IL 104)  
SECTION (127B)I;(128)RS-3  
MORGAN COUNTY