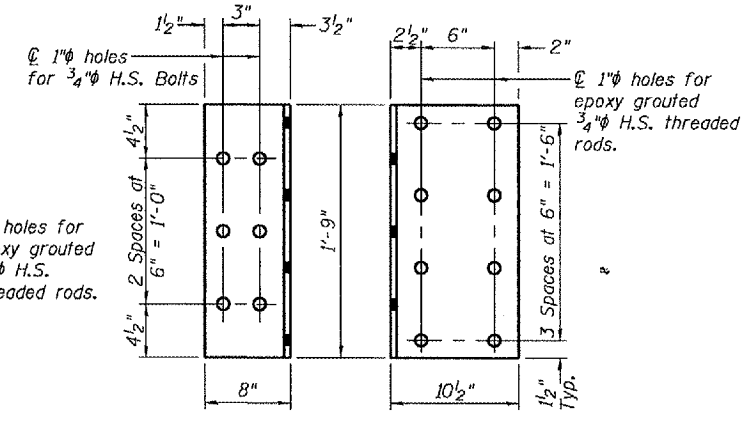
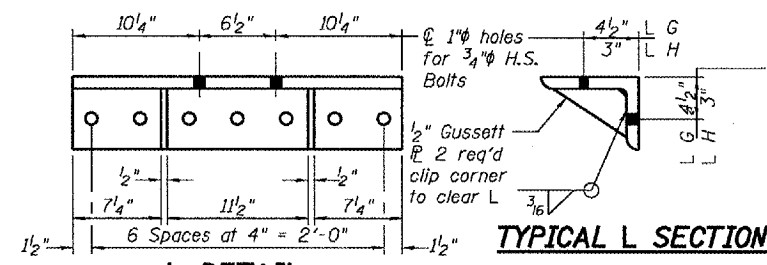
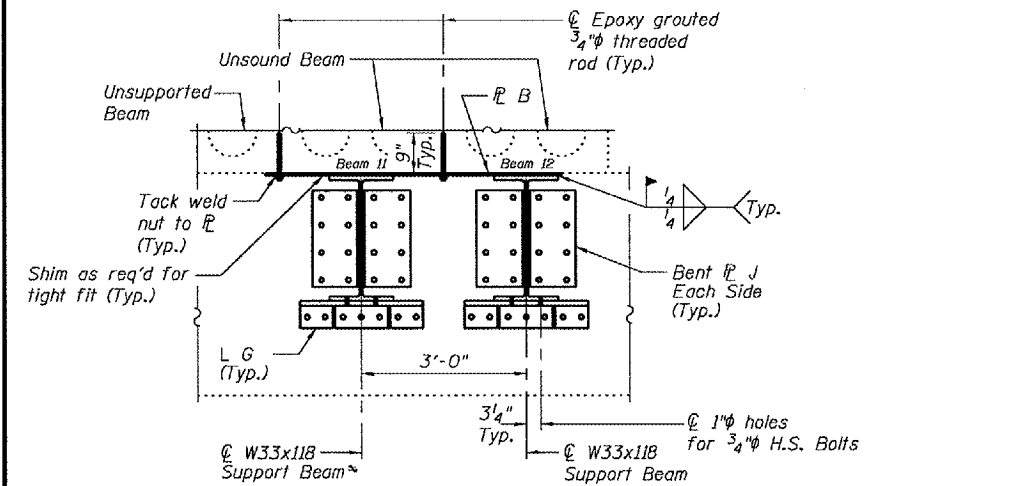
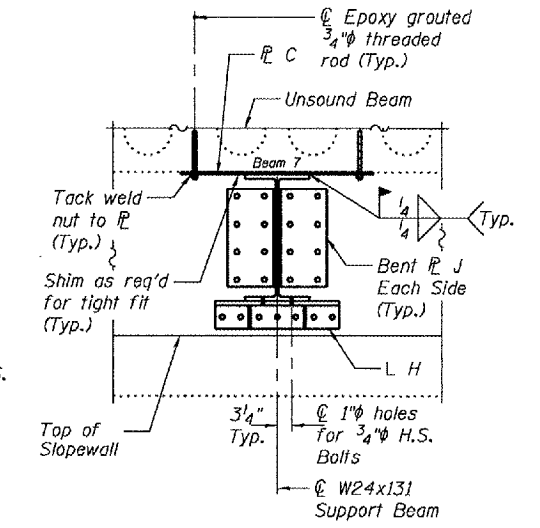
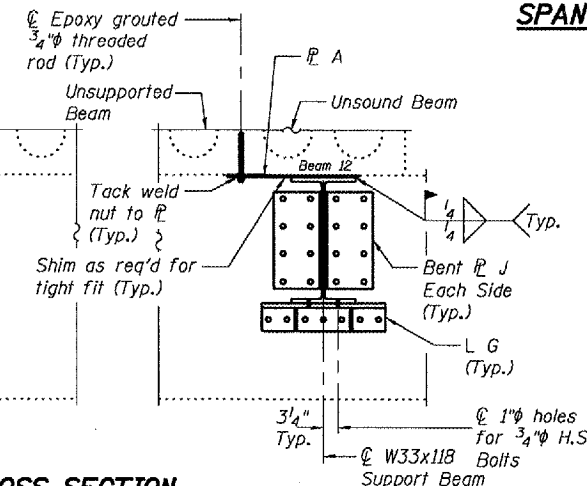
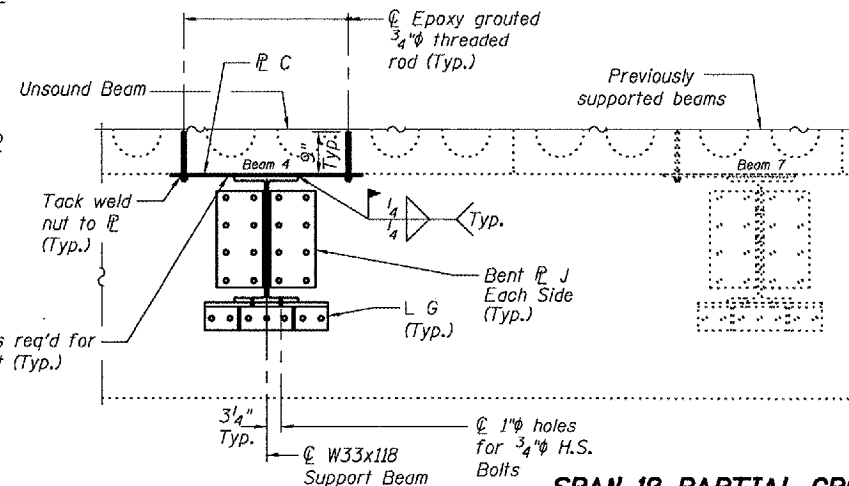
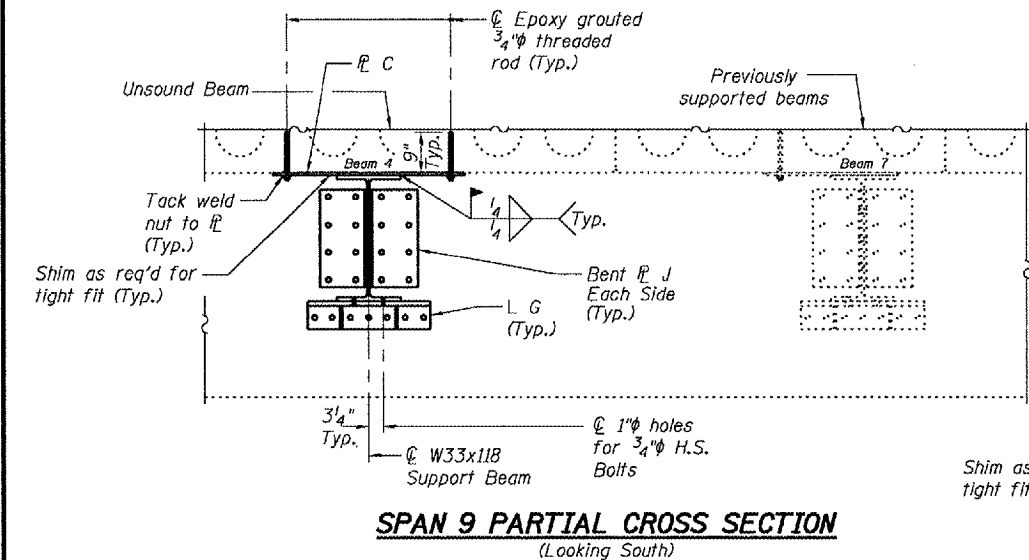
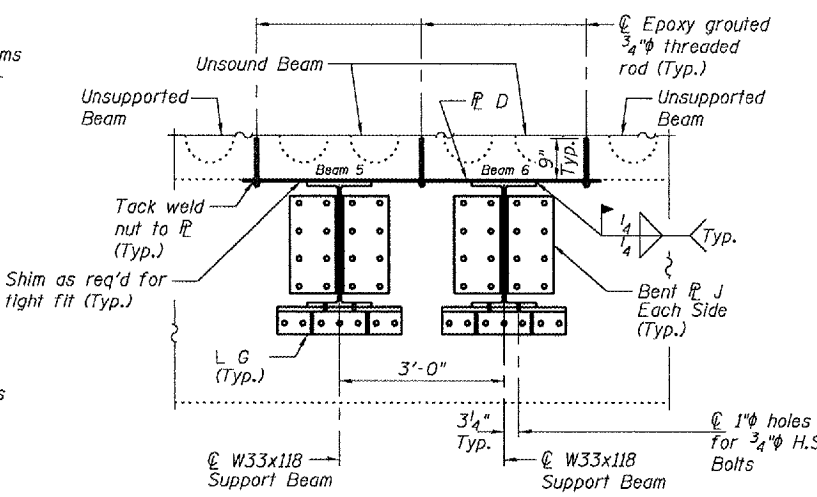
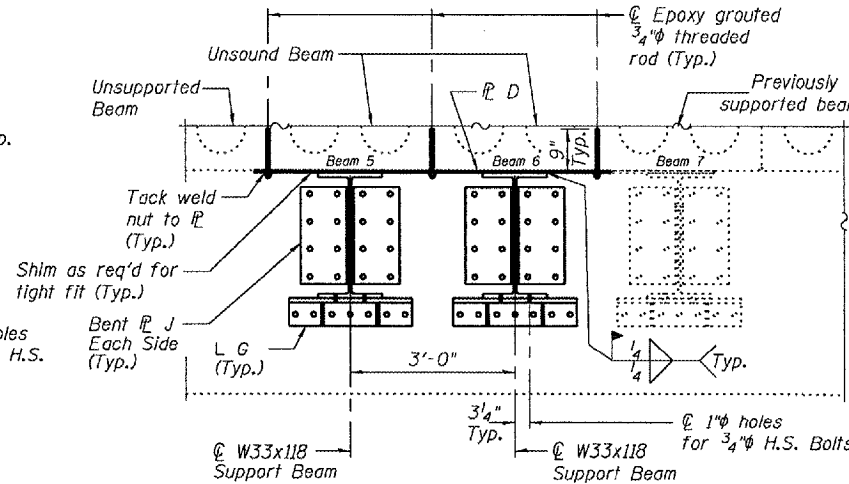
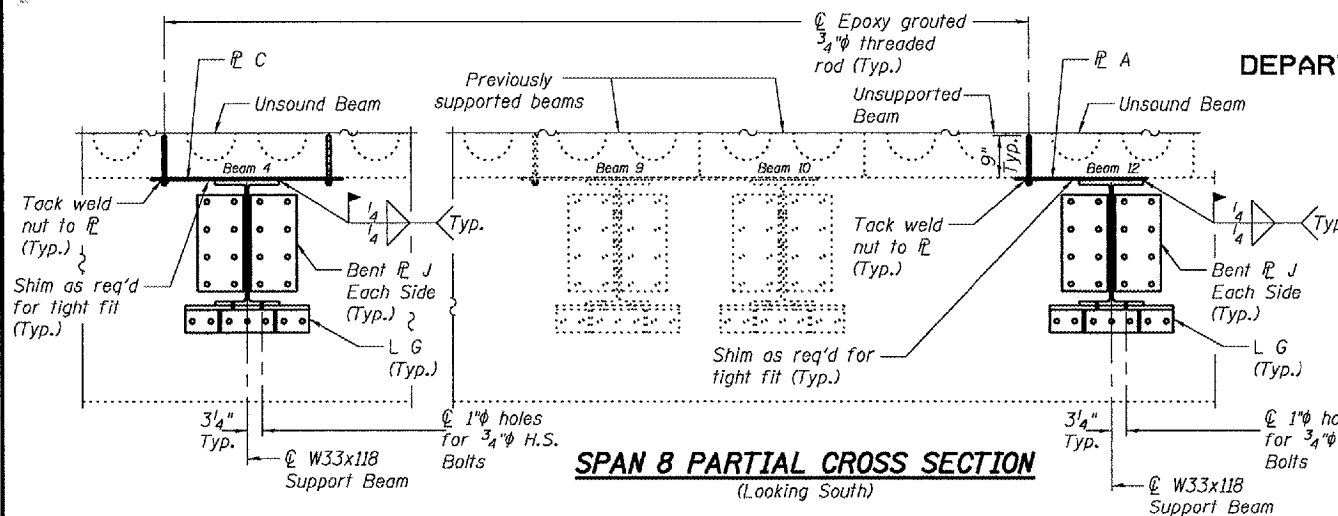


STATE OF ILLINOIS
DEPARTMENT OF TRANSPORTATION

PROJECT NO.	SECTION	COUNTY	TOTAL SHEETS	SHEET	SHEET NO. 3 3 SHEETS
		Cass	7	7	
FED. ROAD DIST. NO. 7		ILLINOIS	FED. AID PROJECT		Contract Number: 72047



DESIGNED	A.T.H.
CHECKED	S.J.B.
DRAWN	Drew Christopher
CHECKED	A.T.H. S.J.B.

August 30, 2007
EXAMINED *Carl Poyner*
PASSED *Ralph E. Anderson*
REPAIR PLANS UNIT CHIEF
ENGINEER OF BRIDGES AND STRUCTURES

DECK CROSS SECTIONS
F.A.P. RT.614
CASS COUNTY
SN 009-0006