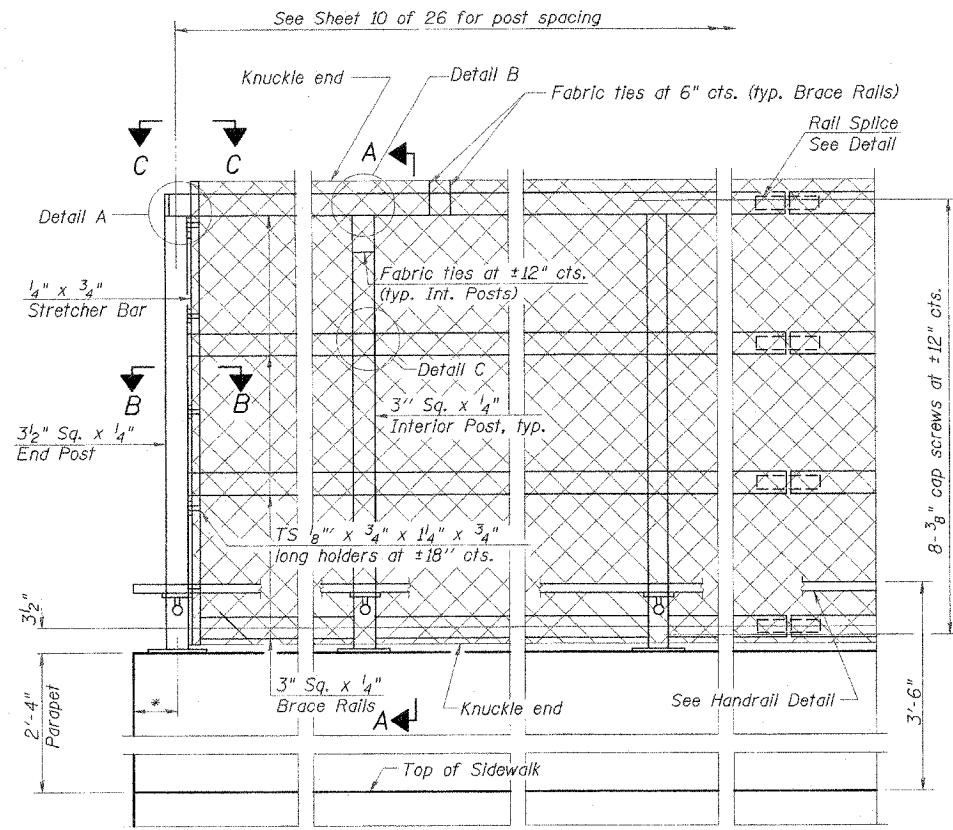
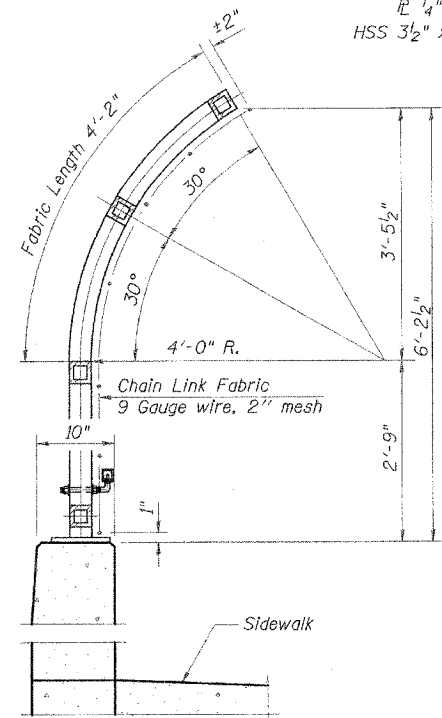


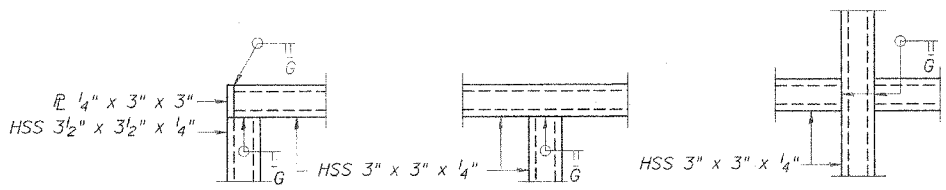
F.A.P. RTE.	SECTION	COUNTY	TOTAL SHEETS	SHEET NO.
805	122VBR-1	ST. CLAIR	58	39
STA.	N.A.	TO STA.	N.A.	
FED. ROAD DIST. NO. 7 ILLINOIS FED. AID PROJECT				
Contract #76558				SHEET 14 OF 26



ELEVATION
(Inside Face)



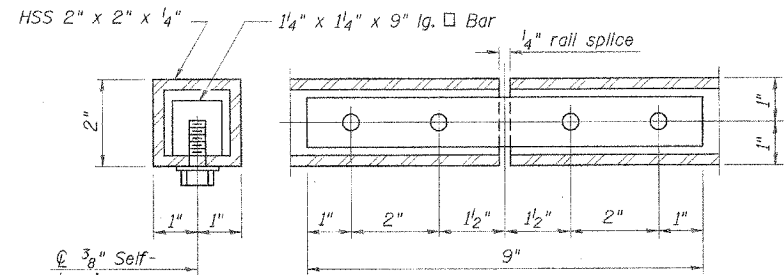
SECTION A-A



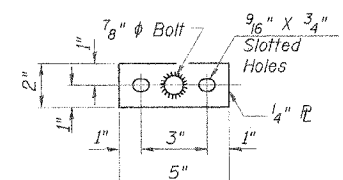
DETAIL A

DETAIL B

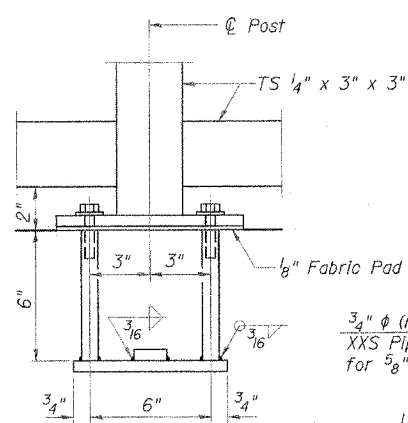
DETAIL C



HANDRAIL SPLICE

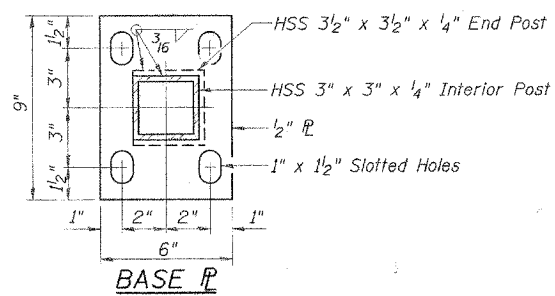
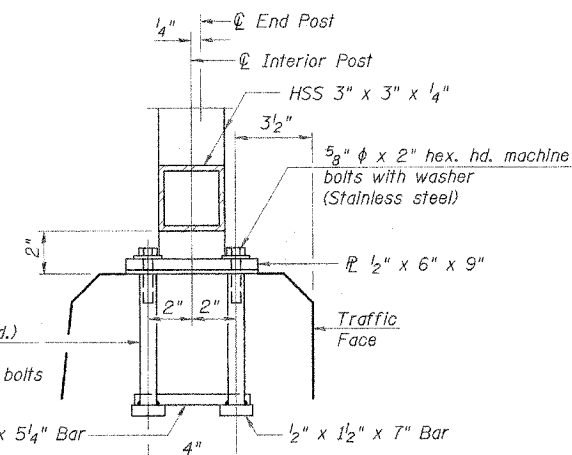


BASE P
(Handrail)

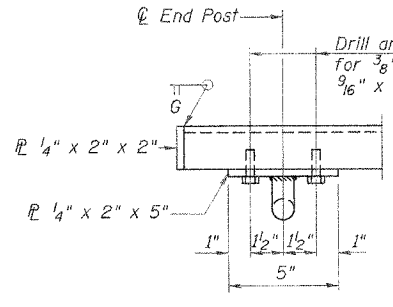


ANCHOR BOLT DETAILS

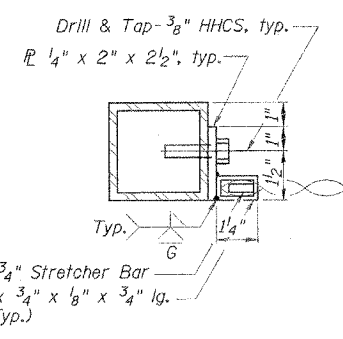
In lieu of the cast-in-place anchor device shown, the Contractor has the option of drilling and epoxy grouting 5/8\"/>



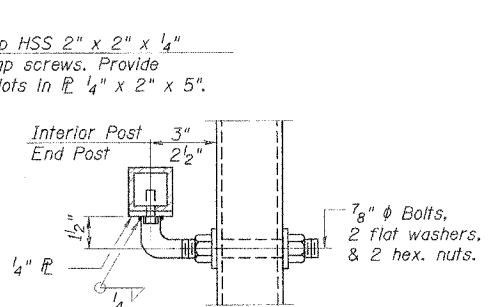
BASE P



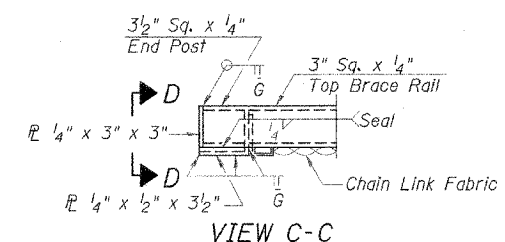
HANDRAIL DETAIL



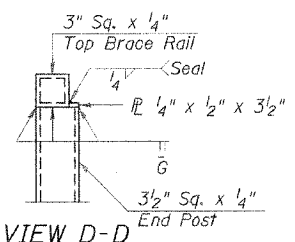
SECTION B-B



RAIL SPLICE



VIEW C-C



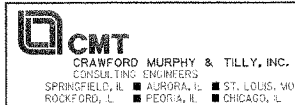
VIEW D-D

BILL OF MATERIAL

Item	Unit	Quantity
Bridge Fence Railing	Foot	360

REVISIONS	
NAME	DATE

ILLINOIS DEPARTMENT OF TRANSPORTATION
BRIDGE FENCE RAILING
 F.A.P. ROUTE 805
 SECTION 122VBR-1
 ST. CLAIR COUNTY
 ILLINOIS ROUTE 161 OVER METRO-LINK
 STATION 69+96.56 S.N. 082-0091
 SCALE: NONE DRAWN BY: GLD
 DATE: 7/03/06 CHECKED BY: GBR



L:\DDT_C4\066\0\work\order_5\DRAW_Sheet14 REVISED DGV'S STAGING CHAIRS PEDESTRIAN FENCEDGN 7/3/2006