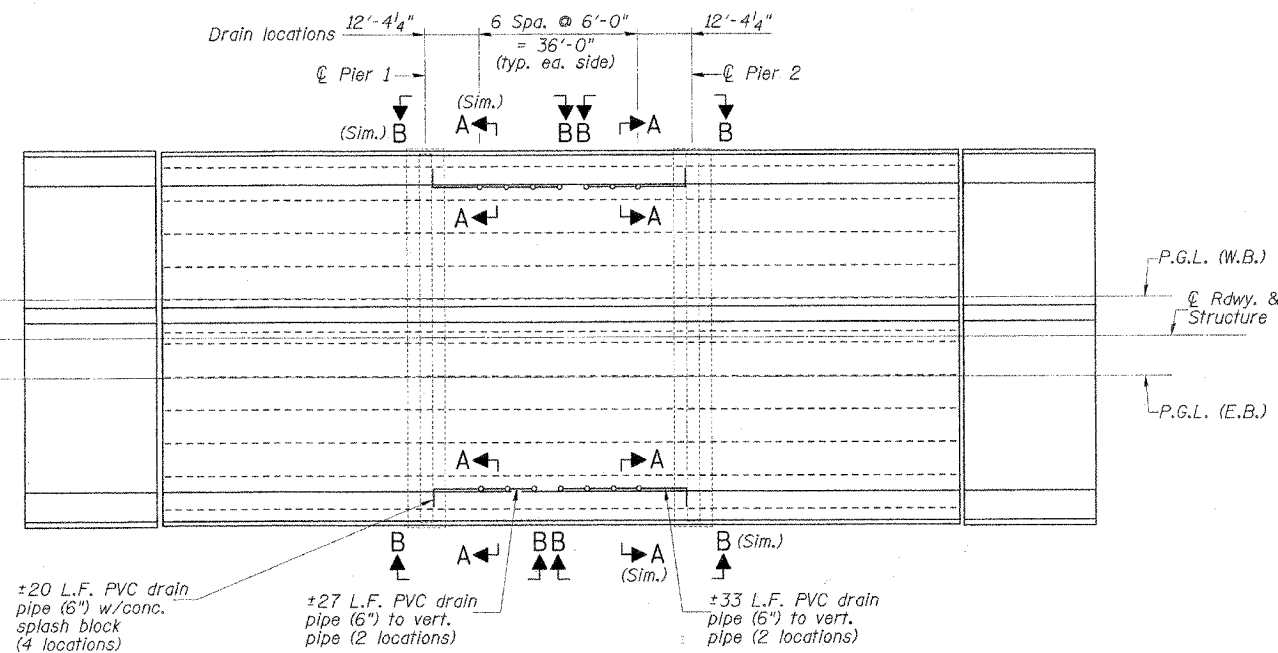
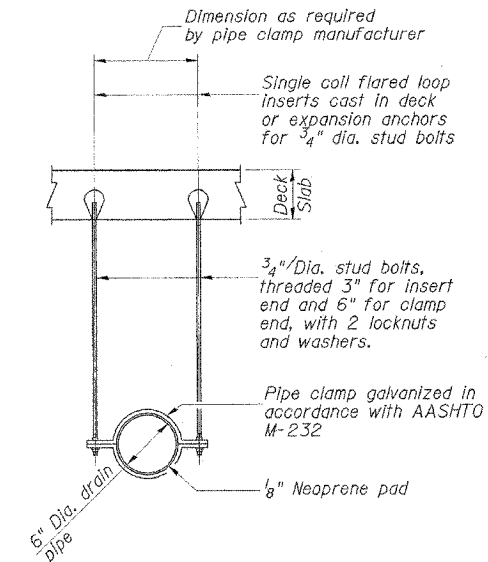


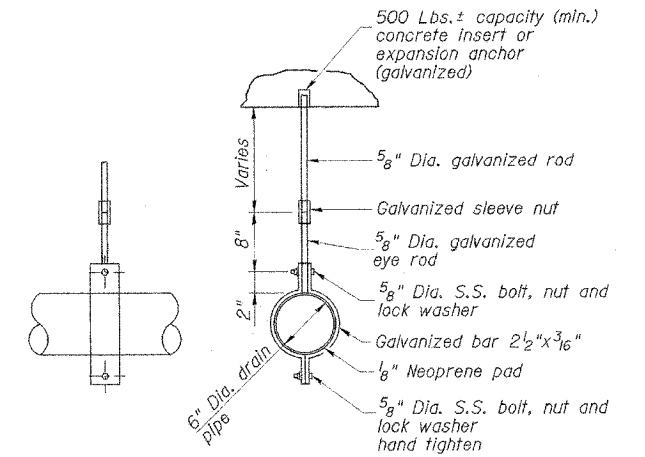
F.A.P. RTE.	SECTION	COUNTY	TOTAL SHEETS	SHEET NO.
805	122VBR-1	ST. CLAIR	58	44
STA. N/A	TO STA. N/A			
FED. ROAD DIST. NO. 7 ILLINOIS FED. AID PROJECT				
Contract #76558			SHEET 19 OF 26	



DRAIN LOCATION PLAN

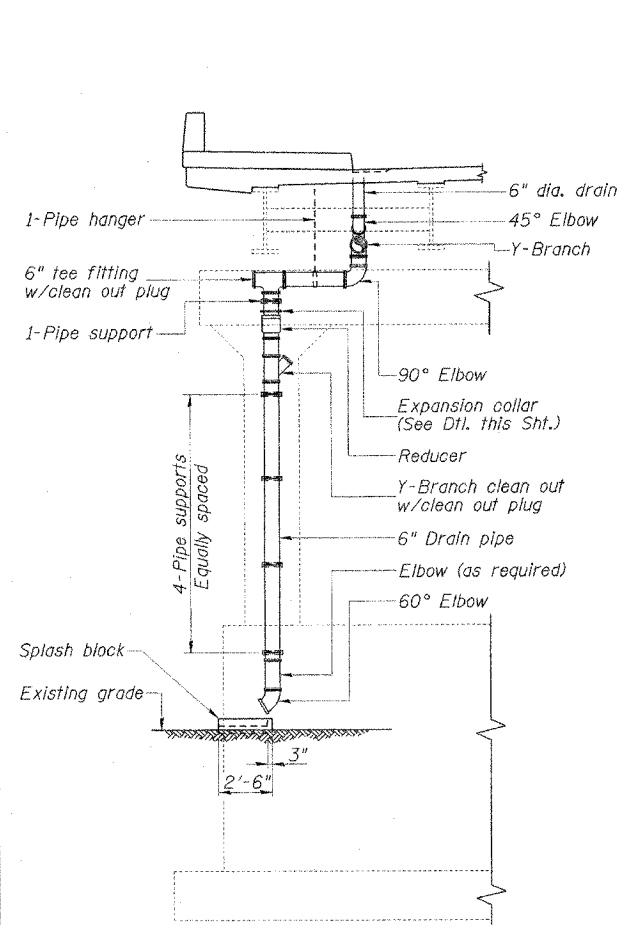


PIPE HANGER DETAILS

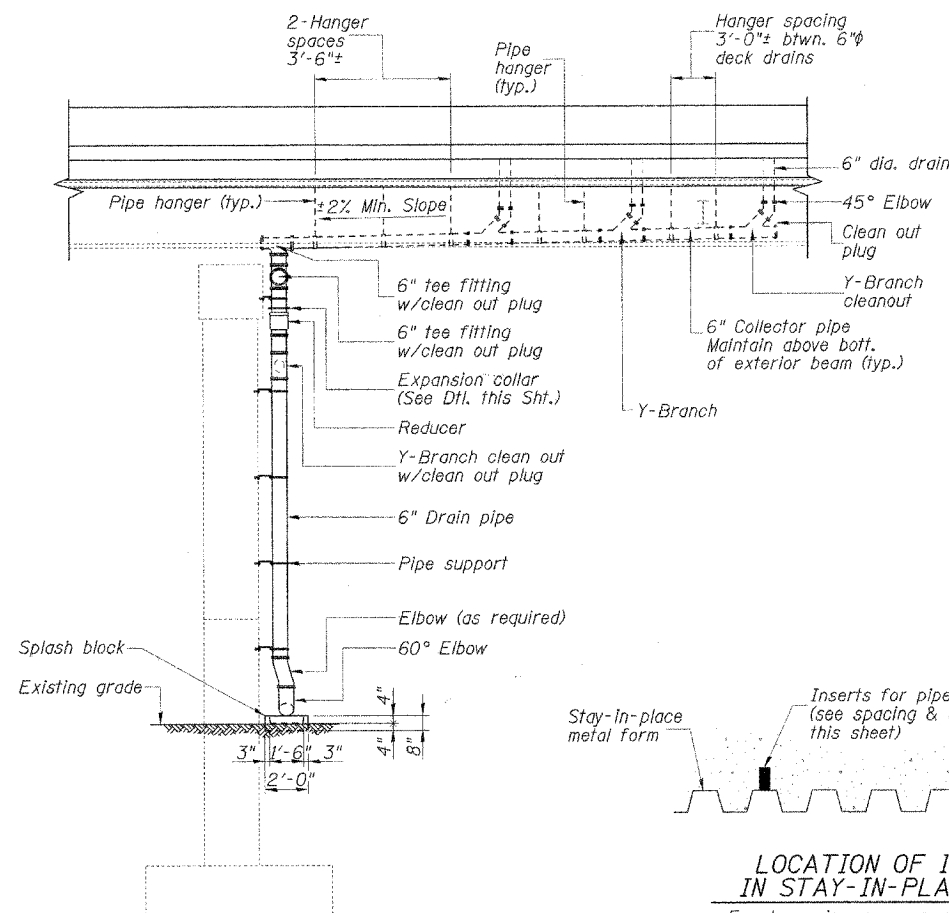


ELEVATION TYPICAL SECTION

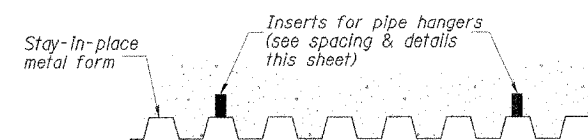
ALTERNATE PIPE HANGER DETAIL



SECTION A-A

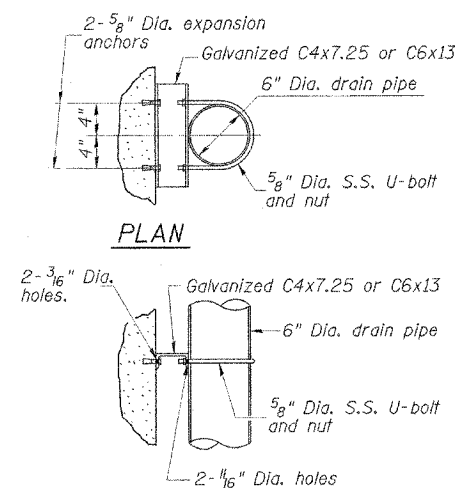


VIEW B-B

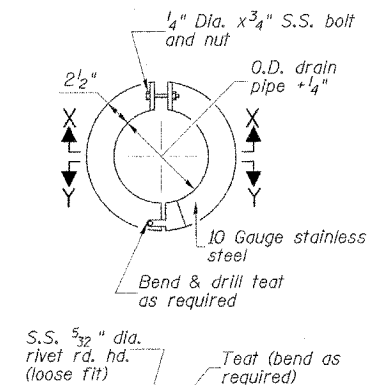
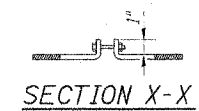


LOCATION OF INSERTS IN STAY-IN-PLACE FORMS

Exact spacing may vary slightly to ensure that inserts are located on peaks of forms



PIPE SUPPORT DETAIL



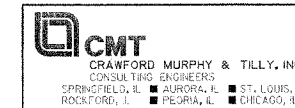
SECTION Y-Y
DETAIL OF EXPANSION COLLAR

BILL OF MATERIAL

ITEM	UNIT	TOTAL
Drainage System	L. Sum	1

REVISIONS	
NAME	DATE

ILLINOIS DEPARTMENT OF TRANSPORTATION
DRAINAGE SYSTEM DETAILS
 F.A.P. ROUTE 805
 SECTION 122VBR-1
 ST. CLAIR COUNTY
 ILLINOIS ROUTE 161 OVER METRO-LINK
 STATION 69+96.56 S.N. 082-0091
 SCALE: NONE DRAWN BY: GLD
 DATE: 7/03/06 CHECKED BY: CBR



I:\ADOT\040610\Wor\KCP\06-5\Drawn\Sheets\REVISED DGN'S STAGING CHANGE\ADRAINAGE SYS DETAILS.DGN
 7/3/2006