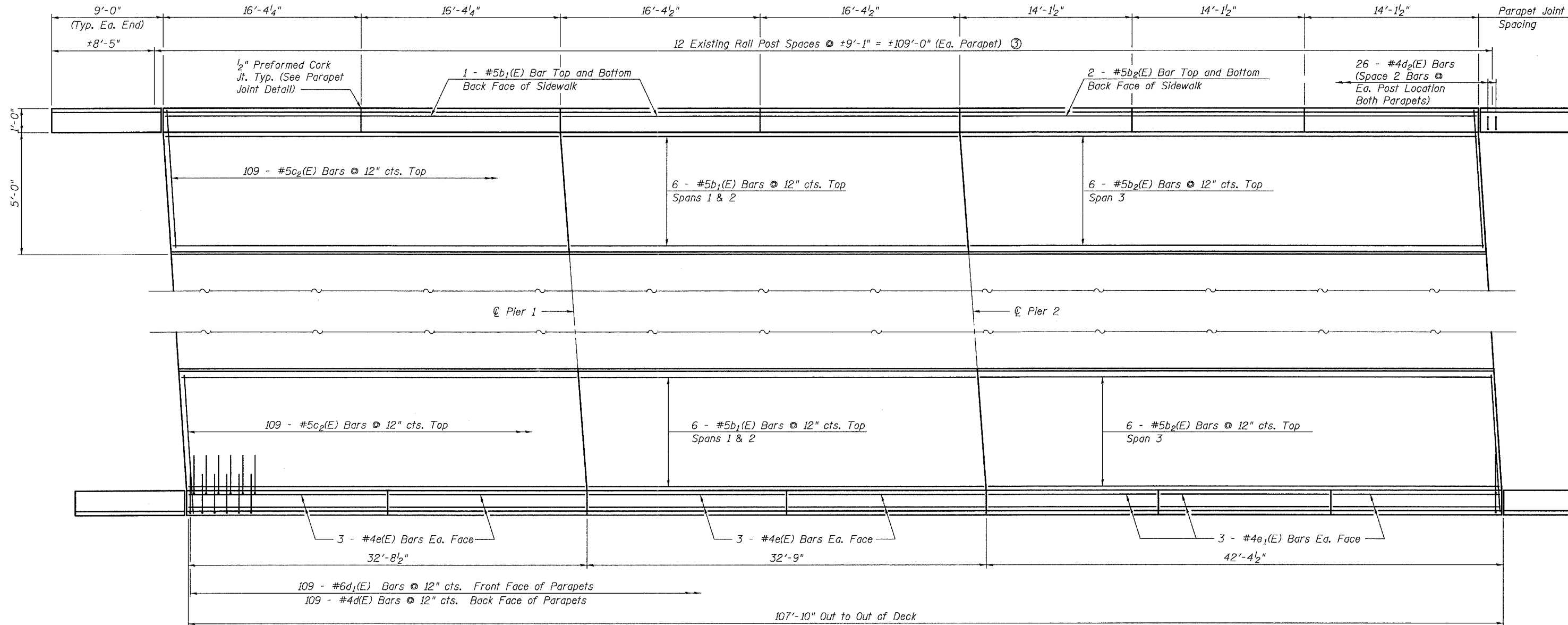


STATE OF ILLINOIS
DEPARTMENT OF TRANSPORTATION

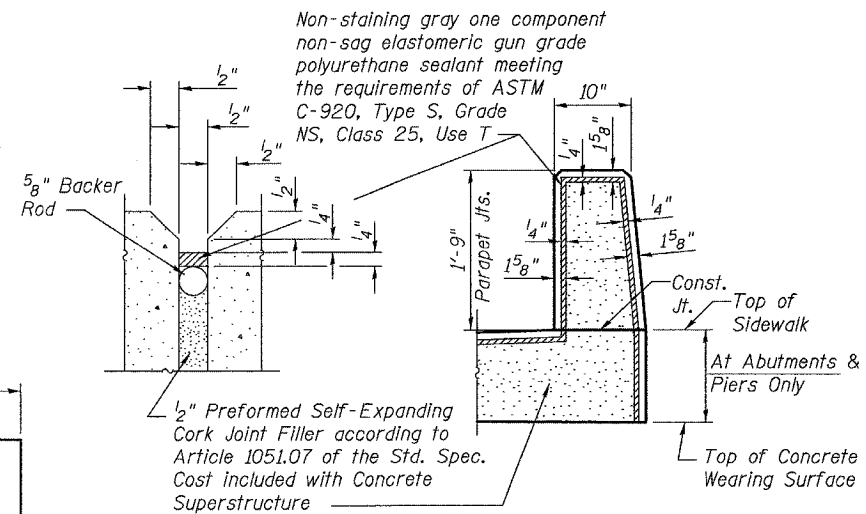
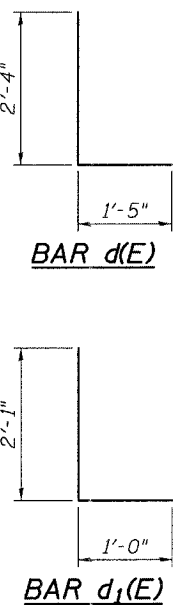
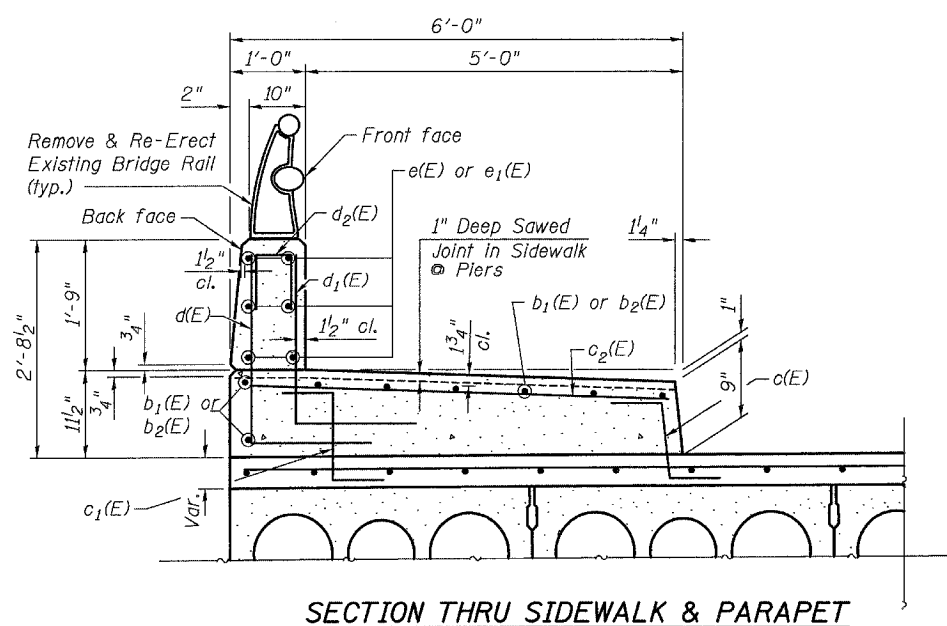
ROUTE NO. FAP 600	SECTION 1-IBR-1	COUNTY ST. CLAIR	SHEET NO. 29	TOTAL SHEETS 20
FED. ROAD DIST. NO. 7		ILLINOIS	FED. AID PROJECT-	

SHEET 13 SHEETS

Contract # 76962



SIDEWALK AND PARAPET PLAN



Notes :

- ① Reinforcement bars designated (E) shall be epoxy
- ② See sheet 5 of 13 for Bill of Materials.
- ③ Contractor shall verify existing rail post spacing to placement of rail anchorage.

SIDEWALK & PARAPET DETAILS
IL ROUTE 159 OVER RICHLAND CREEK
F.A.P. ROUTE 600 - SECTION 1-IBR-1
ST. CLAIR COUNTY
STA. 158+08
STRUCTURE NO. 082-0265