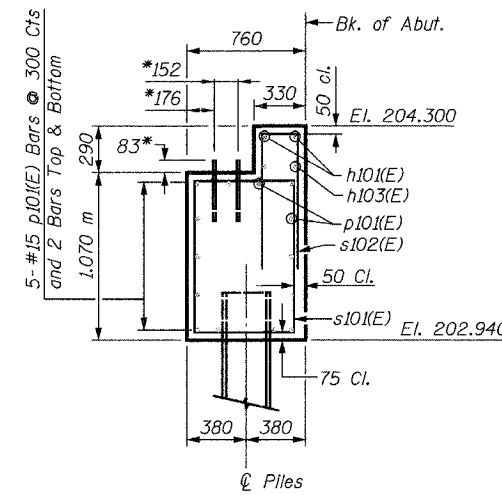


ABUTMENT ELEVATION



SECTION A-A

* Anchor bolt size and locations shall be checked against the bridge fabricator's requirements prior to setting them.

BILL OF MATERIAL

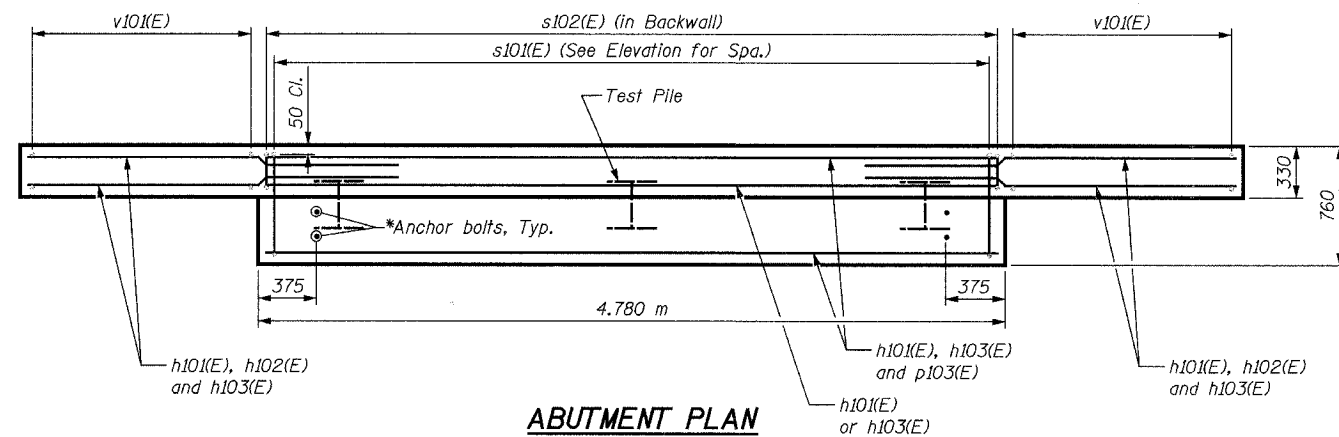
Bar	No.	Size	Length	Shape
h101(E)	2	#15	7.81 m	
h102(E)	20	#15	2.42 m	
h103(E)	2	#15	6.35 m	
p101(E)	14	#15	4.68 m	
s101(E)	16	#15	3.48 m	
s102(E)	16	#15	2.49 m	
v101(E)	12	#15	2.14 m	
Concrete Structures			Cu. M	5.5
Reinforcement Bars, Epoxy Coated			kg	420
Furnishing Steel Piles				
HP310x79			Meter	20
Driving Steel Piles			Meter	20
Test Pile Steel HP310x79			Each	1
Metal Shoes			Each	2
Structure Excavation			Cu. M	13

LEGEND

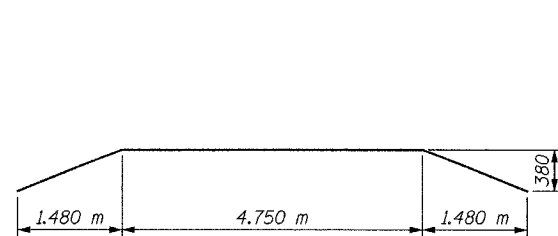
E.F. = Each Face

MIN. BAR LAP

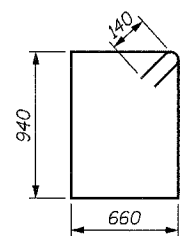
#15 = 890



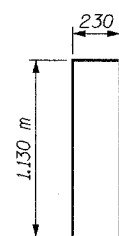
ABUTMENT PLAN



BAR h101(E)



BAR s101(E)



BAR s102(E)

PILE DATA:

Type: HP310x79
Capacity: Driven to Refusal
Est. Length: 10 m
No. Required: 2 + 1 Test Pile

(Test pile shall be a permanent pile driven at the South Abutment)

NOTES:

Space reinforcement in cap to miss anchor bolts.

All edges shall have standard 20 mm chamfers except as noted.

For Anchor Bolt Details, see Sheet S32.

There shall be no splicing of longitudinal bars. Bars shall be ordered full length.

Bars designated (E) shall be epoxy coated.

SHEET S5 of S33

REVISIONS		NAME	DATE	1701 GOLF ROAD, SUITE 1000 ROLLING MEADOWS, IL 60008 TEL (847) 228-1070 FAX (847) 228-1115
NO.	DESCRIPTION			
				VILLAGE OF OAKBROOK SALT CREEK GREENWAY TRAIL PEDESTRIAN BRIDGE, STA. 18+151.5 SOUTH ABUTMENT DETAILS
DATE: 06/30/05		DESIGNED BY: MDS		DRAWN BY: MDS CHECKED BY: GAT