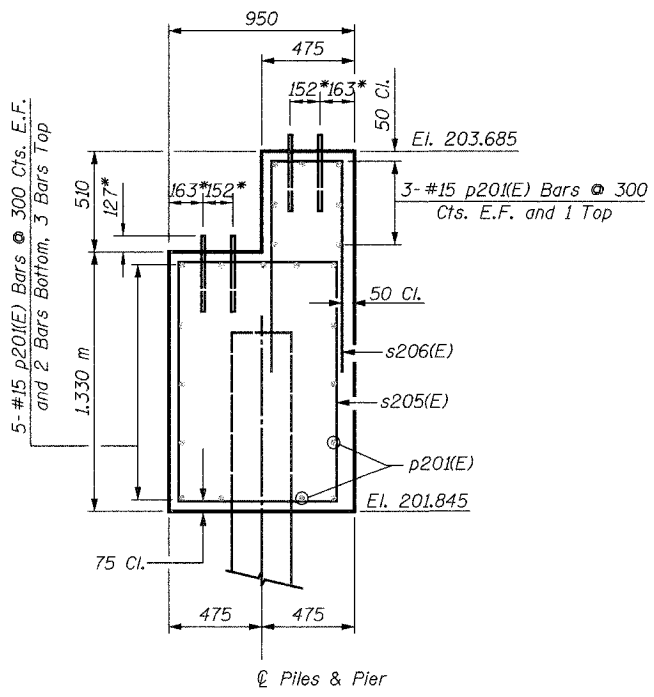


**ELEVATION**

**PILE DATA:**

Type: HP310x79  
 Capacity: Driven to Refusal  
 Est. Length: 11 m  
 No. Required: 3



**SECTION C-C**

\* Anchor bolt size and locations shall be checked against the bridge fabricator's requirements prior to setting them.

**BILL OF MATERIAL**

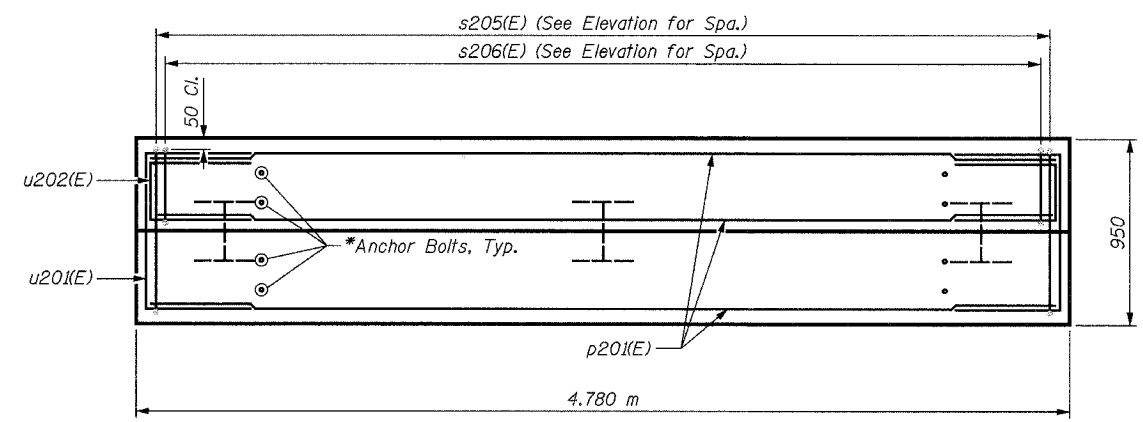
Bar	No.	Size	Length	Shape
p201(E)	22	#15	4.68 m	—
s205(E)	16	#15	4.36 m	□
s206(E)	16	#15	3.07 m	□
u201(E)	10	#15	2.65 m	□
u202(E)	6	#15	2.17 m	□
Concrete Structures		Cu. M	6.1	
Reinforcement Bars, Epoxy Coated		kg	420	
Furnishing Steel Piles HP310x79		Meter	33	
Driving Steel Piles		Meter	33	
Metal Shoes		Each	3	
Structure Excavation		Cu. M	5	

**LEGEND**

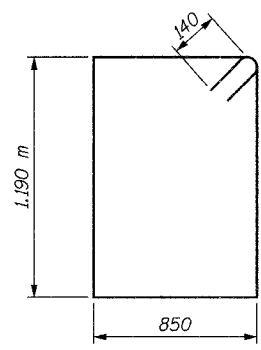
E.F. = Each Face

**MIN. BAR LAP**

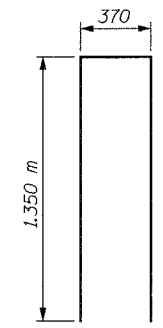
#15 = 890



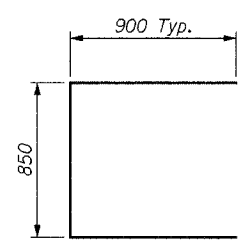
**PLAN**



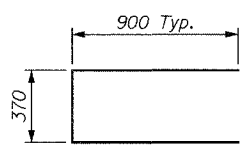
**BAR s205(E)**



**BAR s206(E)**



**BAR u201(E)**



**BAR u202(E)**

**NOTES:**

- Space reinforcement in cap to miss anchor bolts.
- All edges shall have standard 20 mm chamfers except as noted.
- For Anchor Bolt Details, see Sheet S32.
- There shall be no splicing of longitudinal bars. Bars shall be ordered full length.
- Bars designated (E) shall be epoxy coated.

SHEET S13 of S33

REVISIONS		NAME	DATE	<b>URS</b> 1701 GOLF ROAD, SUITE 1000 ROLLING MEADOWS, IL 60008 TEL (847) 228-0707 FAX (847) 228-1115
NO.	DESCRIPTION			
				VILLAGE OF OAKBROOK SALT CREEK GREENWAY TRAIL PEDESTRIAN BRIDGE, STA. 18+802.5 PIER DETAILS
				DATE: 06/30/05 DESIGNED BY: MDS DRAWN BY: MDS CHECKED BY: GAT