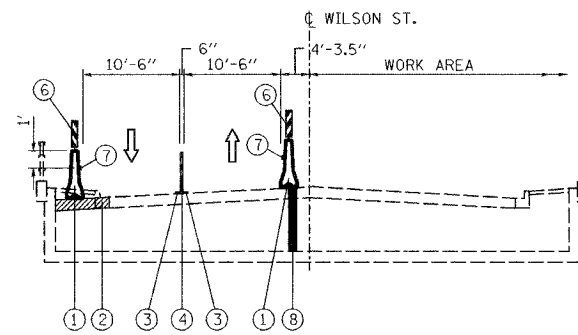
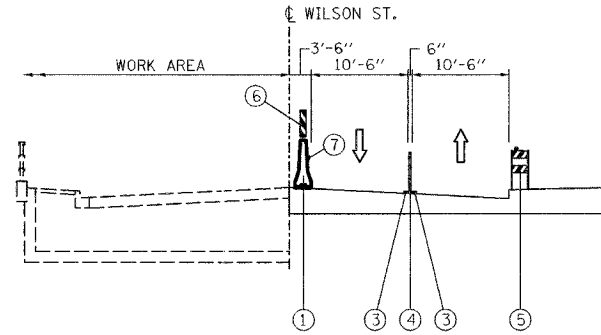


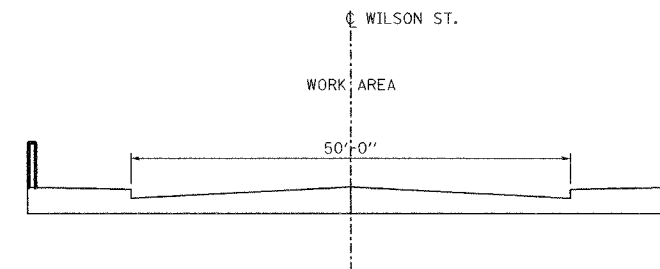
F.A.U. RTE.	SECTION	COUNTY	TOTAL SHEETS	SHEET NO.
1441	DO-00059-00-BR	KANE	154	17
STA. N/A		TO STA. N/A		
FED. ROAD DIST. NO.	ILLINOIS	FED. AID PROJECT		



TYPICAL SECTION
STAGE 1



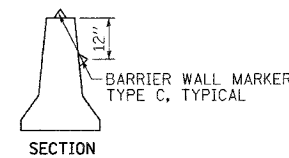
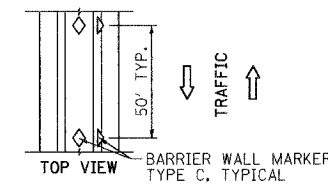
TYPICAL SECTION
STAGE 2



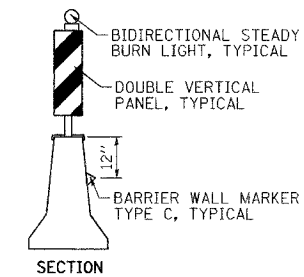
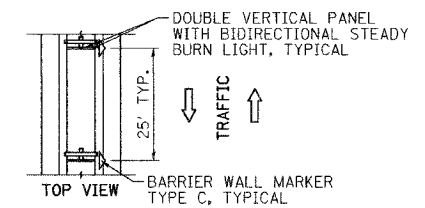
TYPICAL SECTION
STAGE 3
BRIDGE CLOSED TO TRAFFIC TO CONSTRUCT OVERLAY

LEGEND:

- ⇕ DIRECTION OF TRAFFIC
- ① TEMPORARY CONCRETE BARRIER
- ② TEMPORARY BITUMINOUS PAVEMENT
CONSISTS OF 8" BITUMINOUS BASE COURSE, SUPERPAVE
SEE BITUMINOUS MIXTURE REQUIREMENT TABLE ON SHEET 11
- ③ TEMP PAVEMENT MARKING - LINE 4" , SOLID, YELLOW
- ④ FLEXIBLE DELINEATOR (3" X 28")
SPACING PER NOTE 1
- ⑤ DRUM OR BARRICADE, TYPE II WITH MONODIRECTIONAL STEADY BURN LIGHT
SPACING PER NOTE 1
- ⑥ VERTICAL PANEL (WITH MONODIRECTIONAL STEADY BURN LIGHT) OR BARRIER WALL MARKER, TYPE C
SPACING PER NOTE 1
- ⑦ BARRIER WALL MARKER, TYPE C
SPACING PER NOTE 1
- ⑧ TEMPORARY ARCH FILL SUPPORT WALL



DETAIL 1
BARRIER WALL TANGENT SECTION



DETAIL 2
BARRIER WALL TAPER SECTION

NOTES:

1. MAXIMUM DRUM / DELINEATOR / PANEL SPACING SHALL BE AS FOLLOWS:
TANGENT: 50' C-C
SHIFTS / TAPERS: 25' C-C
RADII: 12' C-C
2. TANGENT SECTIONS OF TEMPORARY CONCRETE BARRIER WALL SHALL HAVE TYPE C BARRIER WALL MARKERS PLACED ON TOP AND 12" FROM THE TOP OF THE BARRIER WALL AT 50' C-C PER DETAIL 1.
3. TAPERED SECTIONS OF TEMPORARY CONCRETE BARRIER WALL SHALL HAVE DOUBLE VERTICAL PANELS MOUNTED BACK-TO-BACK WITH BIDIRECTIONAL STEADY BURN LIGHTS MOUNTED ON TOP OF THE BARRIER WALL AND TYPE C BARRIER WALL MARKERS PLACED 12" FROM THE TOP OF THE BARRIER WALL AT 25' C-C PER DETAIL 2.

REVISIONS	
NAME	DATE

ILLINOIS DEPARTMENT OF TRANSPORTATION
WILSON STREET
SUGGESTED STAGES OF CONSTRUCTION
AND TRAFFIC CONTROL PLAN
TYPICAL SECTIONS

SCALE: NTS
DATE: 07/28/2006
DRAWN BY: RVM
CHECKED BY: AKK