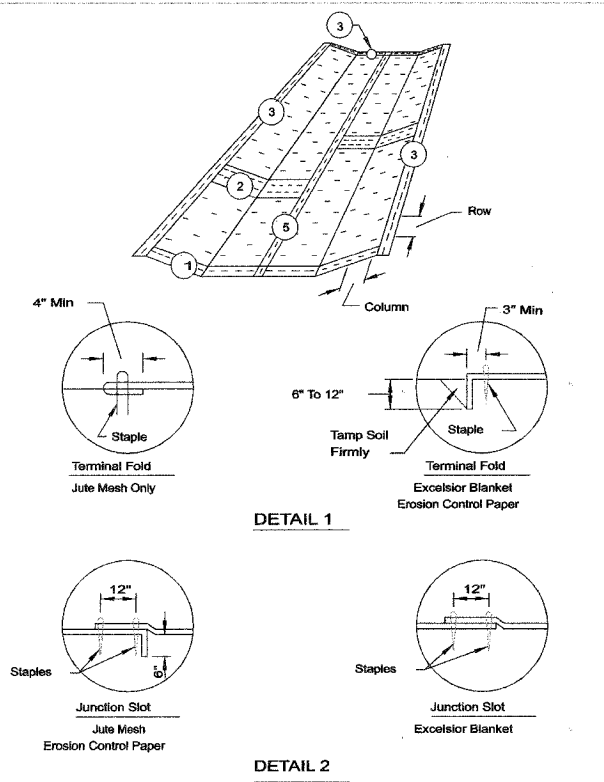


CONTRACT NO. 83869				
F.A.U. RTE.	SECTION	COUNTY	TOTAL SHEETS	SHEET NO.
1441	00-00059-00-BR	KANE	154	30
STA. N/A		TO STA. N/A		
FED. ROAD DIST. NO.	ILLINOIS	FED. AID PROJECT		

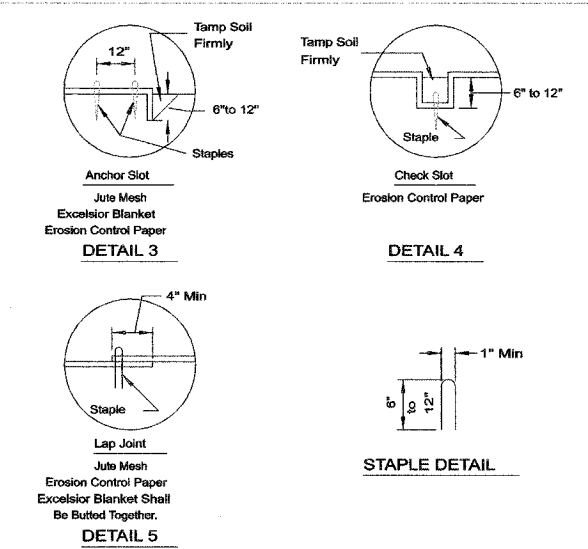
**EROSION BLANKET PLAN**



REFERENCE Project _____	STANDARD DWG. NO. IL-530
Designed _____ Date _____	SHEET 1 OF 2
Checked _____ Date _____	DATE 5-24-04
Approved _____ Date _____	



**EROSION BLANKET PLAN**



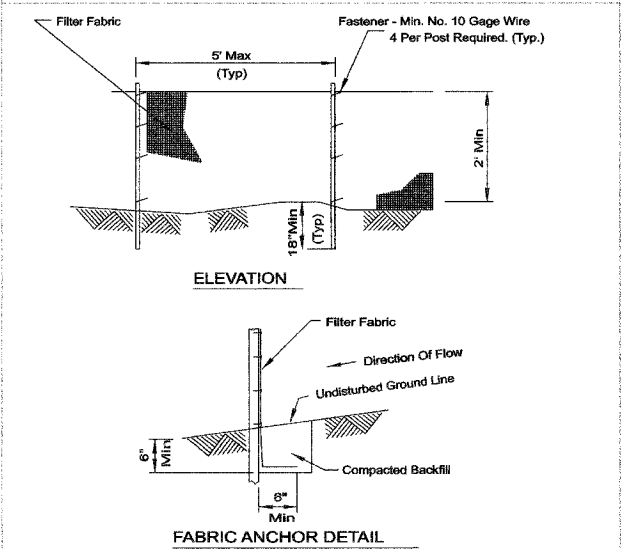
NOTES:

- On erosion control paper, check slots, in ditch channel shall be spaced so that one occurs within each 50' on slopes of more than 4% and less than 6%. On slopes of 6% or more, they shall be spaced so that one occurs within each 25'.
- Staples are to be placed alternately, in columns approximately 2' apart and in rows approximately 3' apart. Approximately 175 staples are required per 4'x 225' roll of material and 125 staples are required per 4'x 150' roll of material.
- Erosion control material shall be placed loosely over ground surface. Do not stretch.
- All terminal ends and transverse laps shall be stapled at approximately 12" intervals.

REFERENCE Project _____	STANDARD DWG. NO. IL-530
Designed _____ Date _____	SHEET 2 OF 2
Checked _____ Date _____	DATE 5-1-06
Approved _____ Date _____	



**SILT FENCE PLAN**



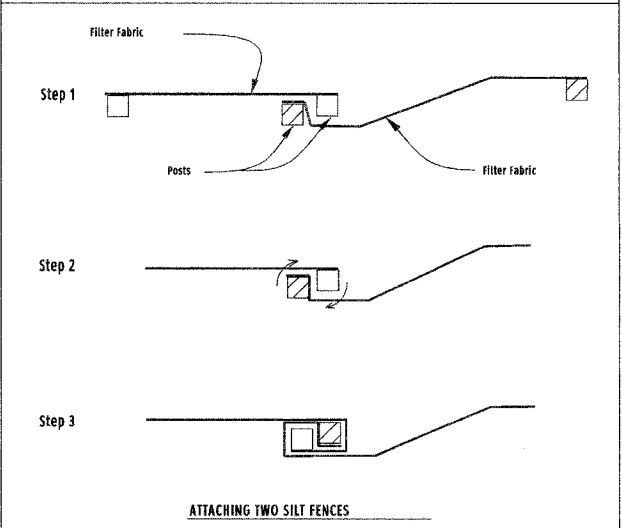
NOTES:

- Temporary sediment fence shall be installed prior to any grading work in the area to be protected. They shall be maintained throughout the construction period and removed in conjunction with the final grading and site stabilization.
- Filter fabric shall meet the requirements of material specification 592 Geotextile Table 1 or 2, Class with equivalent opening size of at least 30 for nonwoven and 50 for woven.
- Fence posts shall be either standard steel post or wood post with a minimum cross-sectional area of 3.0 sq. in.

REFERENCE Project _____	STANDARD DWG. NO. IL-620
Designed _____ Date _____	SHEET 1 OF 2
Checked _____ Date _____	DATE 11-20-01
Approved _____ Date _____	



**SILT FENCE**



NOTES:

- Place the end post of the second fence inside the end post of the first fence.
- Rotate both posts at least 180 degrees in a clockwise direction to create a tight seal with the fabric material.
- Drive both posts a minimum of 18 inches into the ground and bury the flap.

REFERENCE Project _____	STANDARD DWG. NO. IL-620(W)
Designed _____ Date _____	SHEET 2 OF 2
Checked _____ Date _____	DATE 1-20-00
Approved _____ Date _____	



REVISIONS	
NAME	DATE

ILLINOIS DEPARTMENT OF TRANSPORTATION  
 WILSON STREET  
 EROSION AND SEDIMENT CONTROL  
 DETAILS

SCALE: NTS  
 DATE 07/28/2006

DRAWN BY AWM  
 CHECKED BY AKK

PLOT DATE = 7/25/2006  
 PLOT SCALE = #SCALE#  
 USER NAME = #USER#