

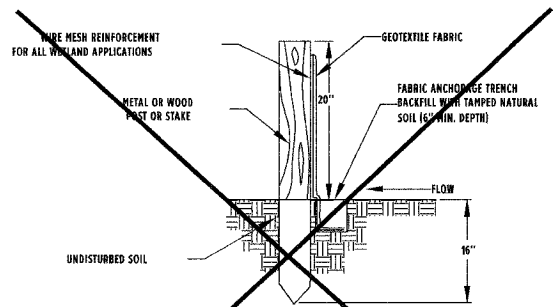
INSTALL INLET FILTER UNDER GRATE.

SILTATION CONTROL SHALL BE INSTALLED PRIOR TO BEGINNING ANY CONSTRUCTION AS DIRECTED BY THE ENGINEER.

TOPSOIL STOCKPILES SHALL HAVE DIVERSION DITCHES PLACED AROUND THEM WITH A SILT TRAP BUILT AT THE LOW POINT OF THE DITCHES.

SILT FENCE TO BE PROVIDED AROUND ENTIRE PERIMETER OF ALL WETLAND AREAS AND PERIMETER OF SITE AS NOTED ON THE PLANS AND AS DIRECTED BY THE ENGINEER PRIOR TO BEGINNING OF THE MASS EARTHWORK.

STORM SEWER GRATE SILTATION CONTROL DETAIL



WIRE MESH REINFORCEMENT FOR ALL WETLAND APPLICATIONS

METAL OR WOOD POST ON STAKE

GEOTEXTILE FABRIC

FABRIC ANCHORAGE TRENCH BACKFILL WITH TAMPED NATURAL SOIL (6" MIN. DEPTH)

UNDISTURBED SOIL

16"

FLOW

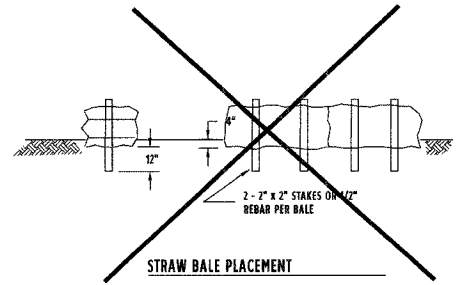
SILT FENCE AND WIRE TO BE FASTENED SECURELY TO FENCE POSTS WITH WIRE TIES OR STAPLES.

WHEN TWO SECTIONS OF SILT FENCE ADJOIN EACH OTHER THEY SHALL BE OVERLAPPED BY SIX INCHES.

MAINTENANCE SHALL BE PERFORMED AS NEEDED AND MATERIAL REMOVED WHEN "BULGES" DEVELOP IN THE SILT FENCE.

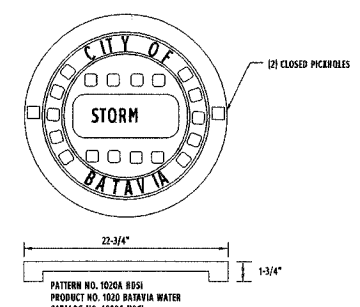
TYPICAL DETAIL FOR SILT FENCE

VOID SEE SH 30



STRAW BALE PLACEMENT

VOID SEE SH 30

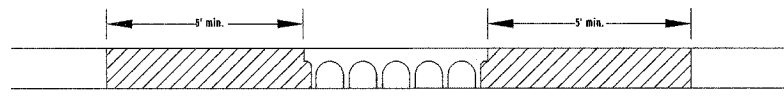


1-1/2" LETTERS (RECESSED FLUSH)

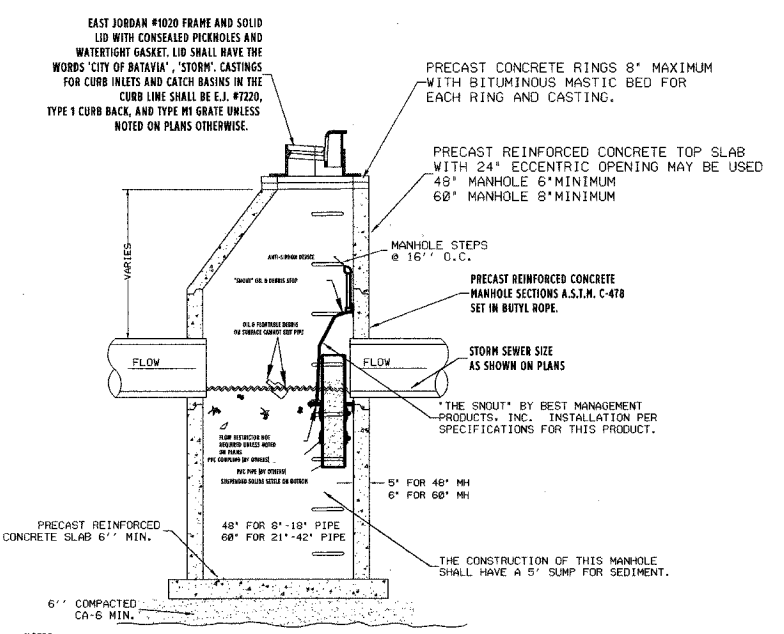
HEAVY DUTY MATERIAL ASTM A48 CL 35 COVER WT 125 LBS

PATTERN NO. 1020A BSI PRODUCT NO. 1020 BATAVIA WATER CATALOG NO. 1020A BSI

MANHOLE LID DETAIL



CURB REMOVAL AND REPLACEMENT AT INLETS



EAST JORDAN #1020 FRAME AND SOLID LID WITH CONSEALED PICKHOLES AND WATERIGHT GASKET. LID SHALL HAVE THE WORDS "CITY OF BATAVIA", "STORM", CASTINGS FOR CURB INLETS AND CATCH BASINS IN THE CURB LINE SHALL BE E.I. #7220, TYPE 1 CURB BACK, AND TYPE M1 GRATE UNLESS NOTED ON PLANS OTHERWISE.

PRECAST REINFORCED CONCRETE TOP SLAB WITH 24" ECCENTRIC OPENING MAY BE USED WITH BITUMINOUS MASTIC BED FOR EACH RING AND CASTING.

MANHOLE STEPS @ 16" O.C.

PRECAST REINFORCED CONCRETE MANHOLE SECTIONS A.S.T.M. C-478 SET IN BUTYL ROPE.

STORM SEWER SIZE AS SHOWN ON PLANS

"THE SNOOT" BY BEST MANAGEMENT PRODUCTS, INC. INSTALLATION PER SPECIFICATIONS FOR THIS PRODUCT.

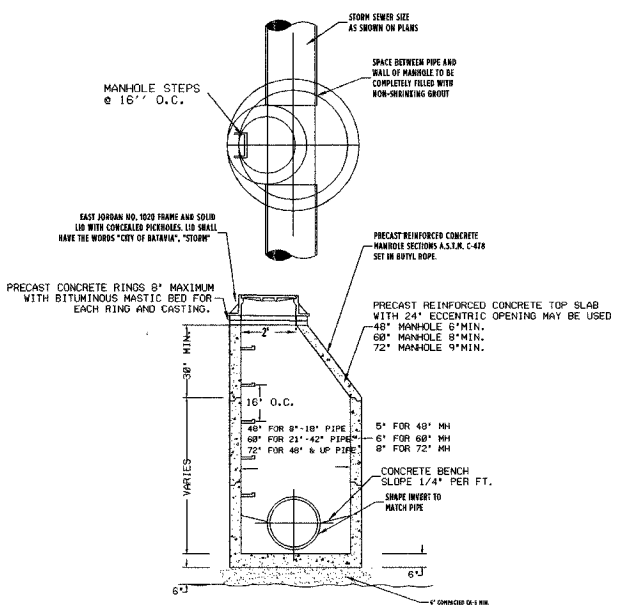
5" FOR 48" MH  
6" FOR 60" MH

PRECAST REINFORCED CONCRETE SLAB 6" MIN.

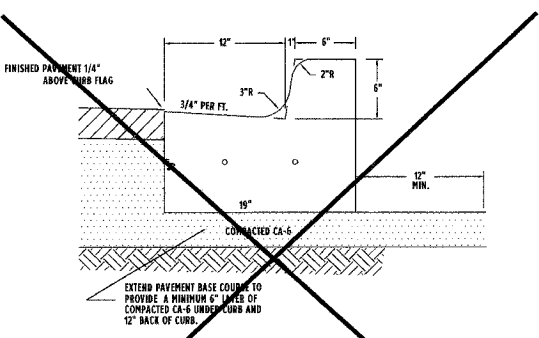
48" FOR 8"-10" PIPE  
60" FOR 21"-42" PIPE

THE CONSTRUCTION OF THIS MANHOLE SHALL HAVE A 5' SUMP FOR SEDIMENT.

CATCH BASIN-GRIT OIL STOPS



STORM SEWER MANHOLE

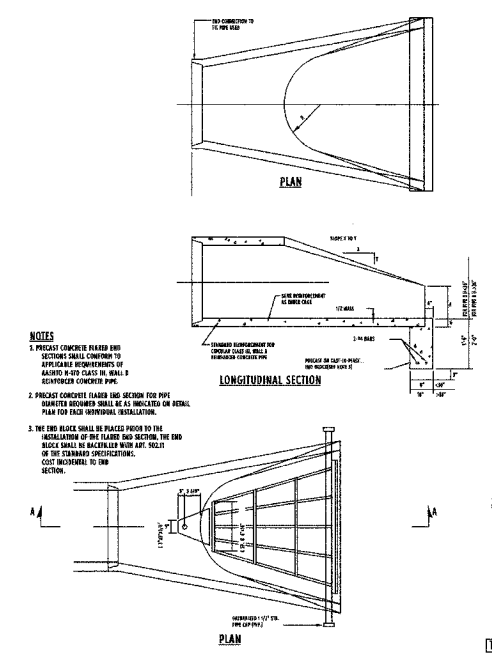


NOTE: 2 - NO. 5 REBAR CONTINUOUS AND 2 - 3/4" DOWEL BARS WITH GROUT JOINTS AT EACH EXPANSION JOINT. PLACE 3" EXPANSION JOINTS AT 100' INTERVALS. 5" ON EITHER SIDE OF STRUCTURES, P.C.'S AND RADIUS POINTS. SUMP CONTRACTION JOINTS EVERY 10' BETWEEN EXPANSIONS TO THE DEPTH OF 3" WITHIN 24 HOURS OF PLACEMENT.

B-6.12 CURB & GUTTER

VOID SEE SH 16

FLARED END SECTION



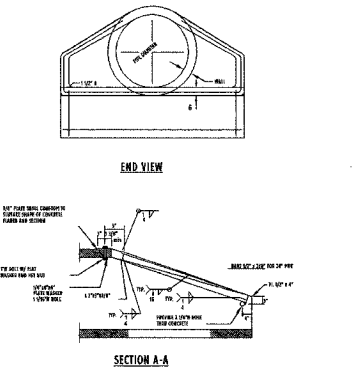
NOTES

1. PRECAST CONCRETE FLARED END SECTIONS SHALL CONFORM TO APPROVED SPECIFICATIONS TO ADOPTED AASHTO CLASS OF WALL & SECTIONED CONCRETE PIPE.

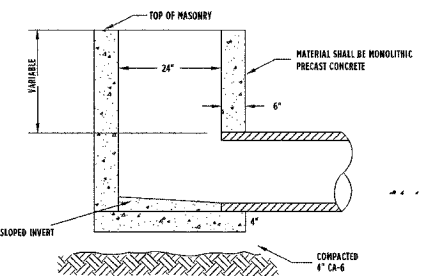
2. PRECAST CONCRETE FLARED END SECTION FOR PIPE SIZES SHOWN SHALL BE AS INDICATED ON DETAIL PLAN FOR EACH MANHOLE INSTALLATION.

3. THE END BLOCK SHALL BE PLACED PRIOR TO THE INSTALLATION OF THE FLARED END SECTION. THE END BLOCK SHALL BE RECESSED WITH THE RESULT OF THE STANDARD SPECIFICATIONS. (SEE INCHES TO 1/8" SECTION.)

PIPE SIZE	MANHOLE SECTION	A	B	C	D	E	F	G	H	I	J	K	L	M	N	O	P	Q	R	S	T	U	V	W	X	Y	Z
18"	180"	18"	18"	18"	18"	18"	18"	18"	18"	18"	18"	18"	18"	18"	18"	18"	18"	18"	18"	18"	18"	18"	18"	18"	18"	18"	18"
24"	240"	24"	24"	24"	24"	24"	24"	24"	24"	24"	24"	24"	24"	24"	24"	24"	24"	24"	24"	24"	24"	24"	24"	24"	24"	24"	24"
30"	300"	30"	30"	30"	30"	30"	30"	30"	30"	30"	30"	30"	30"	30"	30"	30"	30"	30"	30"	30"	30"	30"	30"	30"	30"	30"	30"
36"	360"	36"	36"	36"	36"	36"	36"	36"	36"	36"	36"	36"	36"	36"	36"	36"	36"	36"	36"	36"	36"	36"	36"	36"	36"	36"	36"
42"	420"	42"	42"	42"	42"	42"	42"	42"	42"	42"	42"	42"	42"	42"	42"	42"	42"	42"	42"	42"	42"	42"	42"	42"	42"	42"	42"
48"	480"	48"	48"	48"	48"	48"	48"	48"	48"	48"	48"	48"	48"	48"	48"	48"	48"	48"	48"	48"	48"	48"	48"	48"	48"	48"	48"
54"	540"	54"	54"	54"	54"	54"	54"	54"	54"	54"	54"	54"	54"	54"	54"	54"	54"	54"	54"	54"	54"	54"	54"	54"	54"	54"	54"
60"	600"	60"	60"	60"	60"	60"	60"	60"	60"	60"	60"	60"	60"	60"	60"	60"	60"	60"	60"	60"	60"	60"	60"	60"	60"	60"	60"
66"	660"	66"	66"	66"	66"	66"	66"	66"	66"	66"	66"	66"	66"	66"	66"	66"	66"	66"	66"	66"	66"	66"	66"	66"	66"	66"	66"
72"	720"	72"	72"	72"	72"	72"	72"	72"	72"	72"	72"	72"	72"	72"	72"	72"	72"	72"	72"	72"	72"	72"	72"	72"	72"	72"	72"
78"	780"	78"	78"	78"	78"	78"	78"	78"	78"	78"	78"	78"	78"	78"	78"	78"	78"	78"	78"	78"	78"	78"	78"	78"	78"	78"	78"
84"	840"	84"	84"	84"	84"	84"	84"	84"	84"	84"	84"	84"	84"	84"	84"	84"	84"	84"	84"	84"	84"	84"	84"	84"	84"	84"	84"
90"	900"	90"	90"	90"	90"	90"	90"	90"	90"	90"	90"	90"	90"	90"	90"	90"	90"	90"	90"	90"	90"	90"	90"	90"	90"	90"	90"
96"	960"	96"	96"	96"	96"	96"	96"	96"	96"	96"	96"	96"	96"	96"	96"	96"	96"	96"	96"	96"	96"	96"	96"	96"	96"	96"	96"
102"	1020"	102"	102"	102"	102"	102"	102"	102"	102"	102"	102"	102"	102"	102"	102"	102"	102"	102"	102"	102"	102"	102"	102"	102"	102"	102"	102"



TRASH GRATES REQUIRED ON ALL F.E.S.



PRE-CAST REINFORCED CONCRETE RISER RINGS SHALL COMPLY WITH ASTM C-39. ALL JOINTS BETWEEN PRE-CAST ELEMENTS, ADJUSTING RINGS AND MANHOLE FRAMES SHALL BE SET IN PLACE WITH A BUTYL RUBBER JOINT SEALANT. USE EAST JORDAN NO. 7228-M1 FOR FRAME & GRATE OR APPROVED EQUAL IN CURB LINE INLETS & MANHOLES. USE EAST JORDAN NO. 6527 GRATE OR APPROVED EQUAL FOR ALL INLETS IN NON-PAVED LOCATIONS. USE EAST JORDAN NO. 1828 FRAME & LID OR APPROVED EQUAL FOR ALL JUNCTION BOXES.

INLET TYPE A

**CITY OF BATAVIA**  
**ENGINEERING DEPARTMENT**

DRAWN BY: S.HAINES DATE: 4/17/00 SCALE: NONE

TITLE: **STORM DETAILS**

2	07-29-05	S.E.S.
1	02-13-03	P.S.
REVISION	DATE	
SHEET		OF