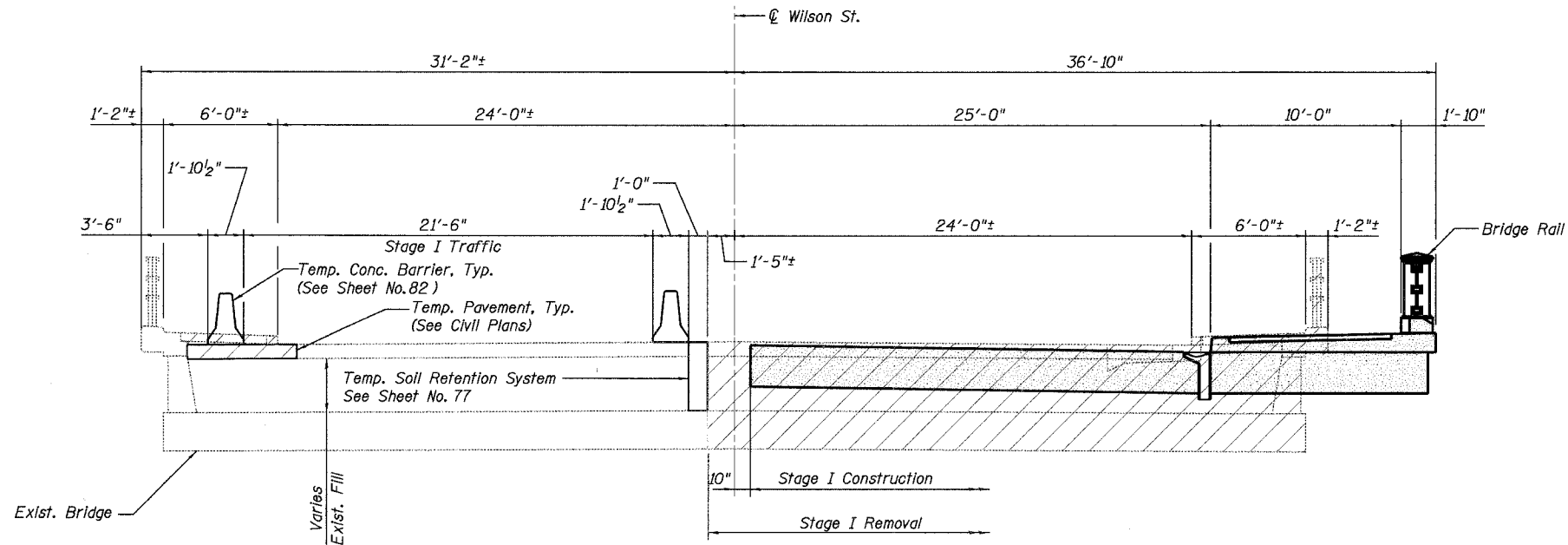


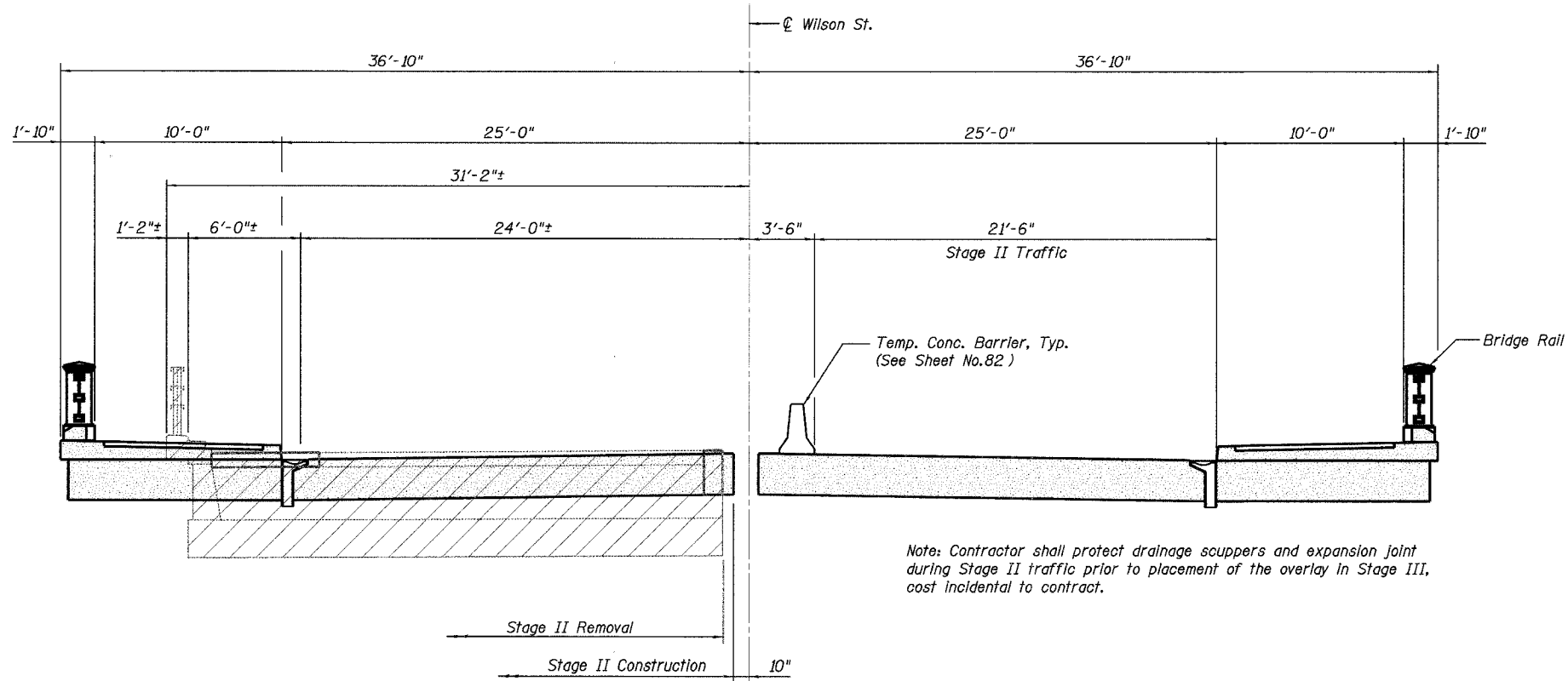
STATE OF ILLINOIS  
DEPARTMENT OF TRANSPORTATION

ROUTE NO.	SECTION	COUNTY	TOTAL SHEETS	SHEET NO.	SHEET NO. 57 of 552 SHEETS
FAU 1441	00-00059-00-BR	KANE	154	78	
FED. ROAD DIST. NO. 7		ILLINOIS FED. AID PROJECT			

Contract # 83869

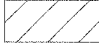



**STAGE I CONSTRUCTION AND REMOVAL LIMITS**  
(Looking East)



**STAGE II CONSTRUCTION AND REMOVAL LIMITS**  
(Looking East)

**LEGEND**

-  Removal
-  New Construction

**NOTE**

See specifications for available traffic shut-down periods.

Note: Contractor shall protect drainage scuppers and expansion joint during Stage II traffic prior to placement of the overlay in Stage III, cost incidental to contract.

DESIGNED	DWH
CHECKED	RWC
DRAWN	EF
CHECKED	RWC

**LOCHNER**  
H.W. LOCHNER, INC., CHICAGO, ILLINOIS

**BRIDGE CONSTRUCTION SEQUENCE I**  
**WILSON ST OVER FOX RIVER**  
**SECTION 00-00059-00-BR**  
**KANE COUNTY**  
**STRUCTURE NO. 045-6051**

9/26/2008 4:28:10 PM  
C:\PROJECTS\2008\045-6051\10001.DWG